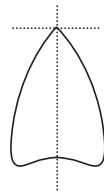


D1 gotham 4in Square evo4sq-4-open
Total # of pages: 8



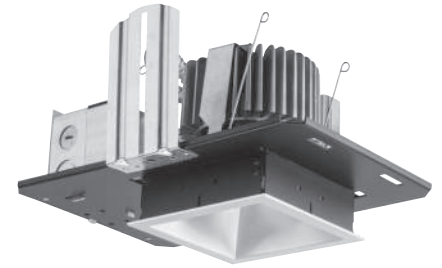
OVERVIEW

General Illumination Square Downlight

4"

Feature Set

- Bounding Ray™ optical design
- Unitized optics mechanically attach the light engine to the lower reflector for complete optical alignment
- 45° cutoff to source and source image
- Fully serviceable and upgradeable lensed LED light engine
- 70% lumen maintenance at 60,000 hours
- 2.5 SDCM; 85 CRI typical, 90+ CRI optional
- Fixtures are wet location, covered ceiling
- ENERGY STAR® certified product
- Available with 10% dimming, 1% dimming, or dim to dark
- Batwing distribution with feathered edges provides even illumination on horizontal and vertical surfaces



Distribution



Superior Performance

Nominal Lumens	250	500	750	1000	1500	2000	2500	3000	3500
Delivered Lumens*	271	573	808	1001	1527	1994	2580	3110	3612
Wattage	3.1	7.2	7.9	8.8	13.7	19.5	25.7	31.2	38.4
Lumens per Watt	87.4	79.6	102.3	113.8	111.5	102.3	100.4	99.7	94.1

COMPLEMENTARY PRODUCTS

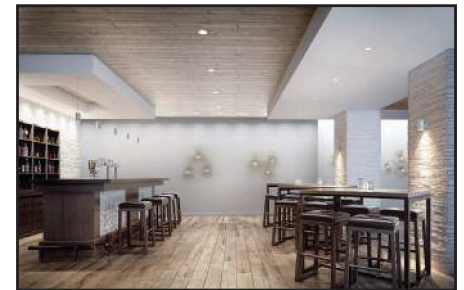
Coordinated Apertures | Multiple Layers of Light



General Illumination Layer | EVO



High Center Beam Layer | Incito



EVO + Incito — Multiple Layers of Light

Core



Healthcare



Special Applications



ORDERING INFORMATION

A+ Capable options indicated by this color background.

DS Design2Ship Quick Ship Program: Options in green text qualify for Design2Ship — 5 business days from order entry to ship. Refer to Design2Ship Brochure for complete program details. **Maximum Order Quantity: 100 units; 50 for Chicago Plenum.**

Luminaire Type:

Catalog Number:

EXAMPLE: EV04SQ 35/15 AR LSS MVOLT EZ1

Series	Color Temperature	Nominal Lumen Values	Reflector & Flange Color	Trim Style	Finish
EV04SQ	27/ 2700 K	02 250 lumens	AR Clear	(blank) Self-flanged	LSS Semi-specular
	30/ 3000 K	05 500 lumens	PR Pewter	FL Flangeless	LD Matte-diffuse
	35/ 3500 K	07 750 lumens	WTR Wheat		
	40/ 4000 K	10 1000 lumens	GR Gold		
	50/ 5000 K	15 1500 lumens	WR ¹ White		
			BR ¹ Black		
			WRAMF ¹ White anti-microbial		

Voltage	Driver ⁴	
MVOLT	GZ10 0-10V driver dims to 10%	EDAB⁵ eldoLED SOLOdrive DALI. Logarithmic dimming to <1%. EDXB⁵ eldoLED POWERdrive DMX with RDM (remote device management). Square Law dimming to <1%. Includes termination resistor. Minimum 1000 lumens. Refer to DMXR Manual ECOS2⁵ Lutron® Hi-Lume® 2-wire forward-phase driver. Minimum dimming level 1%, 120V only. Minimum 1000 lumens. ECOD⁵ Lutron Ecosystem digital Hi-Lume 1% soft-on, fade to black
120	GZ1 0-10V driver dims to 1%	
277	EZ10 eldoLED 0-10V ECOdrive. Linear dimming to 10% min.	
347 ^{2,3}	EZ1 eldoLED 0-10V ECOdrive. Linear dimming to 1% min.	
	EZB eldoLED 0-10V SOLOdrive. Logarithmic dimming to <1%.	

Control Interface	Options
NLT⁶ nLight® dimming pack controls NLTER^{2,6,10} nLight® dimming pack controls emergency circuit NLTAIR2^{6,12,14} nLight® AIR enabled NLTAIRER2^{2,10,13} nLight® AIR enabled emergency NLTAIREM2^{2,13} nLight® AIR Dimming Pack Wireless Controls. Controls fixtures on emergency circuit with battery pack options.	SF Single fuse. Specify 120V or 277V. TRW⁷ White painted flange TRBL⁸ Black painted flange EL⁹ Emergency battery pack, 10W, with integral test switch ELR⁹ Emergency battery pack, 10W, with remote test switch ELSD⁹ Emergency battery pack, 10W, with self-diagnostics, integral test switch ELRSD⁹ Emergency battery pack, 10W, with self-diagnostics, remote test switch E10WCP⁹ Emergency battery pack, 10W Constant Power, CA Title 20 compliant with integral test switch E10WCPR⁹ Emergency battery pack, 10W Constant Power, CA Title 20 compliant with remote test switch
	N80¹¹ nLight® Lumen Compensation BGTD Bodine generator transfer device. Specify 120V or 277V. 90CRI High CRI (90+) CP¹² Chicago Plenum. Specify 120V or 277V with FL option. RRL₋ RELOC®-ready luminaire connectors enable a simple and consistent factory installed option across all ABL luminaire brands. Refer to RRL for complete nomenclature

ACCESSORIES — order as separate catalog numbers (shipped separately)

ISD BC 0-10V wallbox dimmer. Refer to [ISD-BC](#).

ORDERING NOTES

- Not available with finishes.
- Not available with emergency battery pack options.
- Supplied with factory installed step down transformer.
- Refer to [TECH-240](#) for compatible dimmers.
- Not available with nLight® and XPoint options.
- Specify voltage.
- For use with different reflector finish only (i.e. AR, PR, WTR, GR options). Not applicable with WR (white reflector) or FL option.
- For use with different reflector finish only (i.e. AR, PR, WTR, GR options). Not applicable with BR (black reflector) or FL option.
- 11" of plenum depth or top access required for battery pack maintenance.
- ER for use with generator supply power. Will require an emergency hot feed and normal hot feed.
- Fixture begins at 80% light level. Must be specified with NLT or NLTER. Only available with EZ10 and EZ1 drivers.
- Not available with battery pack, EXA1, or EXAB options.
- Not available DALI or DMX drivers. Not available with CP, or N80 options. Not recommended for metal ceiling installations.
- When combined with the EZ1, EZ10, or EZB option, normal luminaires (non-emergency) can be used as a normal power sensing device for nearby nLight AIR devices and luminaires with EM emergency options.

Optical Assembly

Fully serviceable and upgradeable lensed LED light engine suitable for field maintenance or service from below the ceiling. Optical design is a Bounding Ray™ design with 45° cutoff to source and source image. Top-down flash characteristic for superior glare control. Unitized optics shall have mechanical attachment of the light engine to the lower reflector for complete optical alignment.

Electrical

The luminaire shall operate from a 50 or 60 Hz ±3 Hz AC line over a voltage ranging from 120 VAC to 277 VAC. The fluctuations of line voltage shall have no visible effect on the luminous output. The luminaire shall have a power factor of 90% or greater at all standard operating voltages and full luminaire output. Sound Rated A+. Driver shall be >80% efficient at full load across all input voltages. Input wires shall be 18AWG, 300V minimum, solid copper.

Controls

Luminaire shall be equipped with interface for nLight wired or wireless network with integral power supply as per specification.

Dimming

The luminaire shall be capable of continuous dimming without perceivable stroboscopic flicker as measured by flicker index (ANSI/IES RP-16-10) over a range of 100 – 10%, 100 – 1.0% or 100 – 0.1% of rated lumen output with a smooth shut off function to step to 0%. eldoLED LED drivers shall conform to IEEE P1789 standards. Alternatively, manufacturers must demonstrate conformance with product literature and testing which demonstrates this performance. Systems that do not meet IEEE P1789 will not be considered. Driver is inaudible in 24dB environment, and stable when input voltage conditions fluctuate over what is typically experienced in a commercial environment.

Construction

Luminaire housing shall be constructed of 16-gauge galvanized steel and have preinstalled telescopic mounting bars with maximum 32" and minimum 15" extension and 4" vertical adjustment. High-impact polymer trim shall be constructed with a durable, vapor deposition finish. Patented adjustable aperture allows ¼" adjustments in all directions and up to 5° of rotation for post-installation adjustment to ensure trim-to-trim alignment. Injection molded mud ring included with flangeless trims. Ships separately. Installs independently of the mounting frame to reduce cracks in plaster due to vibration. Luminaires shall be suitable for installation in ceilings up to 1½" thick. Tool-less adjustments shall be possible after installation. The assembly and manufacturing process for the luminaire shall be designed to assure all internal components are adequately supported to withstand mechanical shock and vibration. 25°C ambient temperature standard (1/2" clearance on all sides from non-combustible materials in non-IC applications, unless marked spacing noted otherwise). For use in insulated ceilings, a 3" clearance on all sides from insulation is required (unless marked spacing noted otherwise).

Listings

Fixtures are CSA certified to meet US and Canadian standards: All fixtures manufactured in strict accordance with the appropriate and current requirements of the "Standards for Safety" to UL, wet location covered ceiling. Luminaire configurations are Energy Star certified through testing in EPA-recognized laboratories, with the results reviewed by an independent, accredited certification organization. Visit www.energystar.gov for specific configurations listed.

Photometrics

LEDs tested to LM-80 standards. Measured by IESNA Standard LM-79-08 in an accredited lab. Lumen output shall not decrease by more than 30% over the minimum operational life of 60,000 hours. Color appearance from luminaire to luminaire of the same type and in all configurations, shall be consistent both initially and at 6,000 hours and operate within a tolerance of <2.5 MacAdam ellipse as defined by a point at the intersection of the CCT line and the black body locus line in CIE chromaticity space.

Buy American

This product is assembled in the USA and meets the Buy America(n) government procurement requirements under FAR, DFARS and DOT. Please refer to <https://www.acuitybrands.com/resources/buy-american> for additional information.

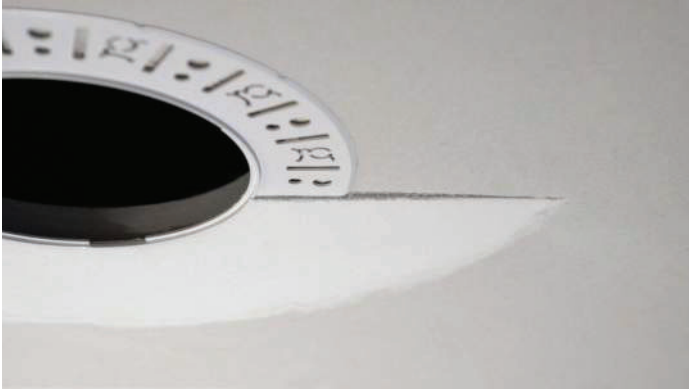
Warranty

5-year limited warranty. This is the only warranty provided and no other statements in this specification sheet create any warranty of any kind. All other express and implied warranties are disclaimed. Complete warranty terms located at: www.acuitybrands.com/support/warranty/terms-and-conditions

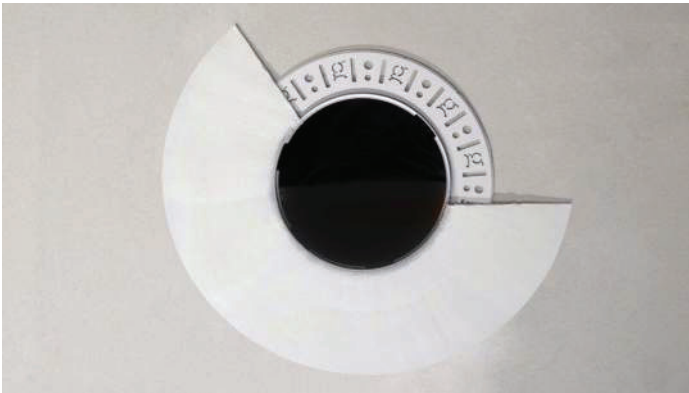
Note:

Actual performance may differ as a result of end user environment and application. All values are design or typical values, measured under laboratory conditions at 25 °C.

Flangeless



Partially finished mud ring, showing cross-section detail.



An EVO downlight requires only approximately 3" of plaster to finish.



EVO with flangeless trim

Flangeless Installation

Gotham's flangeless option utilizes a micro-thin polymer mud ring that minimizes the amount of drywall compound required to finish the ceiling. The end result is a virtually undetectable flangeless downlight installation. The polymer mud ring is installed independent of the of the recessed frame, therefore floating with the ceiling. This innovation minimizes any surface cracks during reflector installation, ceiling movement and any future service to the recessed frame, wiring, electronics, etc.

A+ Capable Luminaire

This item is an A+ capable luminaire, which has been designed and tested to provide consistent color appearance and out-of-the-box control compatibility with simple commissioning.

- All configurations of this luminaire meet the Acuity Brands' specification for chromatic consistency
- This luminaire is part of an A+ Certified solution for nLight® control networks when ordered with drivers marked by a shaded background*
- This luminaire is part of an A+ Certified solution for nLight® control networks, providing advanced control functionality at the luminaire level, when selection includes driver and control options marked by a shaded background*

To learn more about A+, visit www.acuitybrands.com/aplus.

*See ordering tree for details

EVO - eldoLED Driver Default Dimming Curve			
Nomenclature	Min Dimming	Driver Dim Curve	Control Dim Curve
EZ10	10%	Linear	Linear/Logarithmic
EZ1	1%	Linear	Linear/Logarithmic
EXA1	1%	Linear	Linear/Logarithmic
EZB	<1%	Logarithmic	Linear
EDAB	<1%	Logarithmic	Linear
EXAB	<1%	Logarithmic	Linear
EDXB	<1%	Square	Linear

Lumen Output Multiplier		
CRI	CCT	Multiplier
80	2700K	0.96
	3000K	1.00
	3500K	1.00
	4000K	1.01
	5000K	1.07
90	2700K	0.80
	3000K	0.83
	3500K	0.85
	4000K	0.87
	5000K	0.91

Reflector Finish Multiplier	
Reflector Finish	Multiplier
LSS - Semi Specular	0.956
WR - White	0.87
LD - Matte Diffuse	0.85
BR - Black	0.73

Driver		Control Provided (note: 347V/UVOLT versions provided with 347 option selected)			
Nomenclature	Description	NLT	NLTER	NLTAIR2	NLTAIRER2
GZ10	0-10V driver dims to 10%	nPP16 D EFP	nPP16 D ER EFP	RPP20 D 24V G2	RPP20 D 24V ER G2
GZ1	0-10V driver dims to 1%	nPP16 D EFP	nPP16 D ER EFP	RPP20 D 24V G2	RPP20 D 24V ER G2
EZ10	eldoLED 0-10V ECOdrive	nPS 80 EZ	nPS 80 EZ ER	RPP20 D 24V G2	RPP20 D 24V ER G2
EZ1	eldoLED 0-10V ECOdrive	nPS 80 EZ	nPS 80 EZ ER	RPP20 D 24V G2	RPP20 D 24V ER G2
EZB	eldoLED 0-10V SOLOdrive	nPS 80 EZ	nPS 80 EZ ER	RPP20 D 24V G2	RPP20 D 24V ER G2

How to Estimate Delivered Lumens in Emergency Mode

Delivered Lumens = 1.25 x P x LPW

P = Output power of emergency driver. P = 10W for PS1055CP

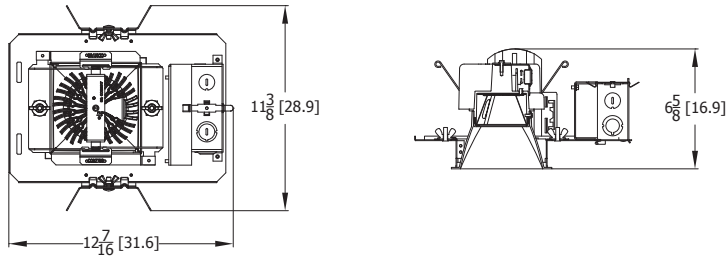
LPW = Lumen per watt rating of the luminaire. This information is available on the ABL luminaire spec sheet.

DIMENSIONAL DATA

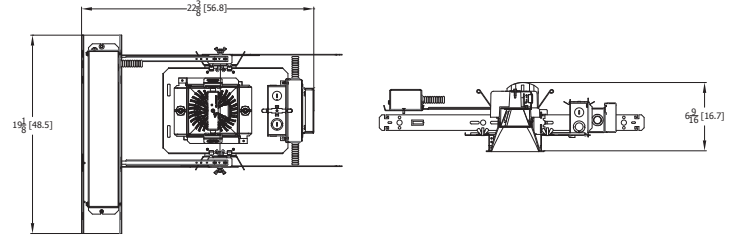
*Dimensions in inches [centimeters]

Aperture: 4-5/16" (11) Ceiling Opening: 5-1/8" (13) self-flanged
 Overlap trim: 5-7/16" (13.8) 5-1/4" (13.3) flangeless

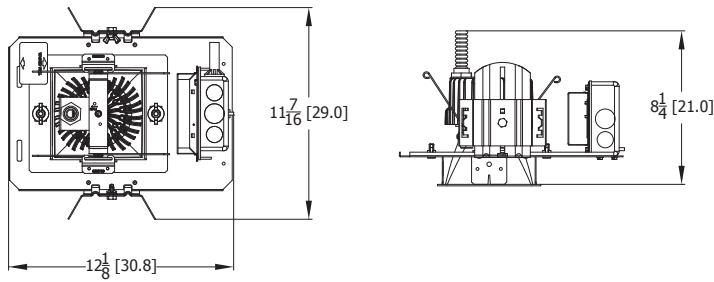
Standard



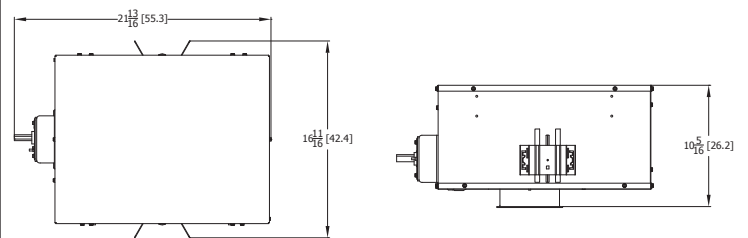
Battery Pack



CP Standard

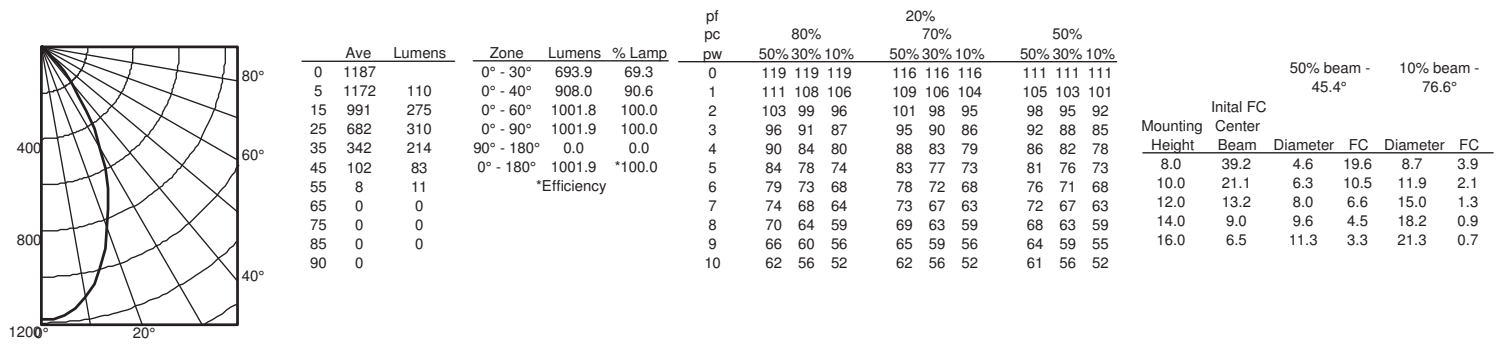


CP Enclosed For Use With Flangeless & nLight

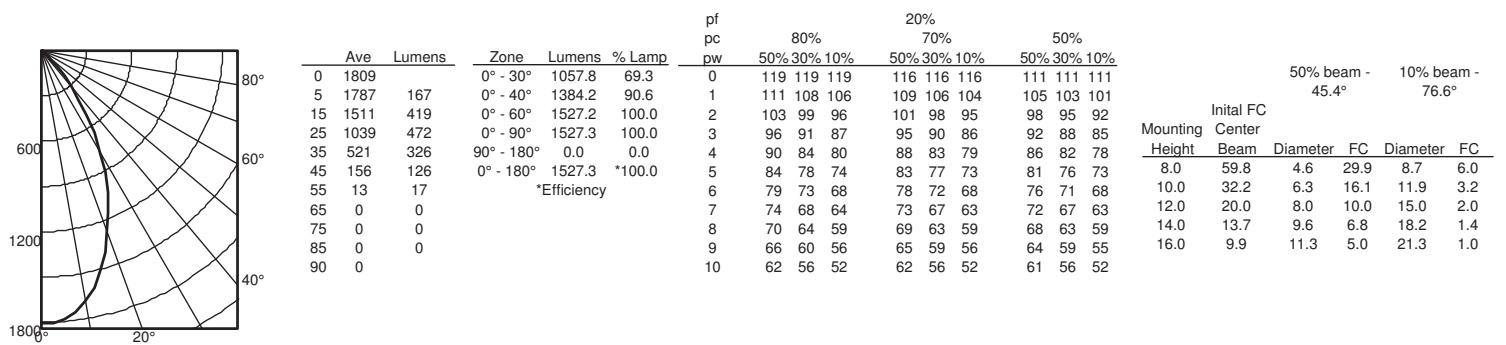


Photometry

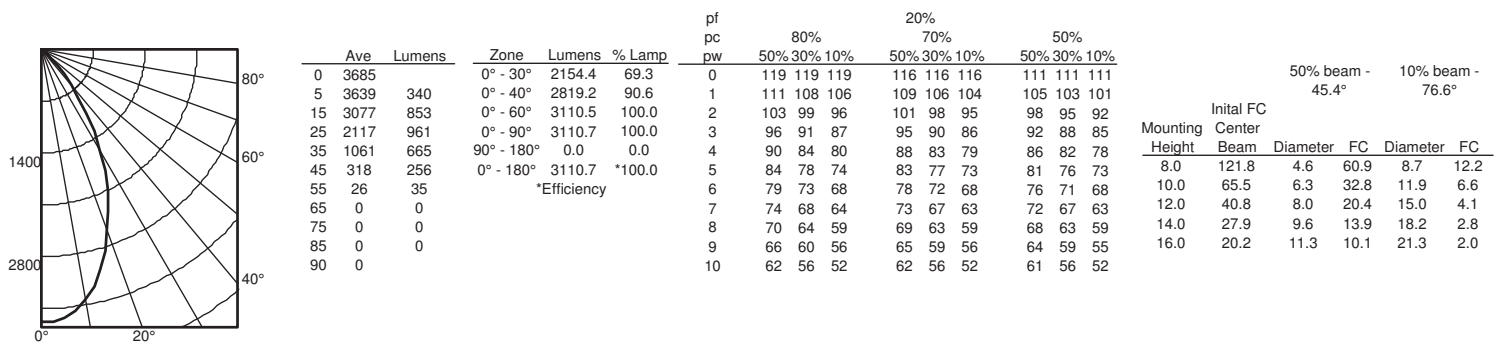
EVO4SQ 35/10 AR LSS INPUT WATTS: 8.8W, DELIVERED LUMENS: 1002LM, LPW= 113.9LM 0.87 S/MH, TEST NO. LTL27794P85



EVO4SQ 35/15 AR LSS INPUT WATTS: 13.7W, DELIVERED LUMENS: 1527LM, LPW= 111.5LM 0.87 S/MH, TEST NO. LTL27794P89



EVO4SQ 35/30 AR LSS INPUT WATTS: 31.2W, DELIVERED LUMENS: 3110LM, LPW= 99.7LM 0.87 S/MH, TEST NO. LTL27794P101



nLIGHT AIR

nLight® AIR is the ideal solution for retrofit or new construction spaces where adding communication wiring is cost prohibitive. The integrated nLight AIR rPP20 Power Pack is part of each EVO Luminaire ordered with the NLTAIR option. These individually addressable controls offer the ultimate in flexibility during initial setup and for space repurposing.

nLight® AIR Control Accessories

Order as separate catalog number. Visit [nLight AIR](#).

Wall Switches	Model Number
On/Off single pole	rPODB (color) G2
On/Off two pole	rPODB 2P (color) G2
On/Off & raise/lower single pole	rPODB DX (color) G2
On/Off & raise/lower two pole	rPODB 2P DX (color) G2

nLight® AIR Control Accessories (cont.)

Occupancy Sensors (PIR/dual tech)	Model Number
Small motion 360°, ceiling	rCMS 9 / rCMS PDT 9
Large motion 360°, ceiling	rCMS 10 / rCMS PDT 10

UL924 Sequence of Operation

The below information applies to all nLight AIR devices with an EM option.

- EM devices will remain at their high-end trim and ignore wireless lighting control commands, unless a normal-power-sensed (NPS) broadcast is received at least every 8 seconds.
- Using the CLAIRITY+ mobile app, EM devices must be associated with a group that includes a normal power sensing device to receive NPS broadcasts.
- Only non-emergency rPP20, rLSXR, rSBOR, rSDGR, and nLight AIR luminaires with version 3.4 or later firmware can provide normal power sensing for EM devices. See specification sheets for control devices and luminaires for more information on options that support normal power sensing.

nLIGHT

nLight® The nLight® solution is a digital networked lighting control system that provides both energy savings and increased user configurability by cost effectively integrating time-based, daylight-based, sensor-based and manual lighting control schemes.

nLight® Wired Control Accessories

Order as separate catalog number. Visit [nLight](#).

Wall Switches	Model Number
On/Off single pole	nPODM XX
On/Off two pole	nPODM 2P XX
On/Off & raise/lower single pole	nPOD DX XX
On/Off & raise/lower two pole	nPODM 2P DX XX
Graphic touchscreen	nPOD GFX XX

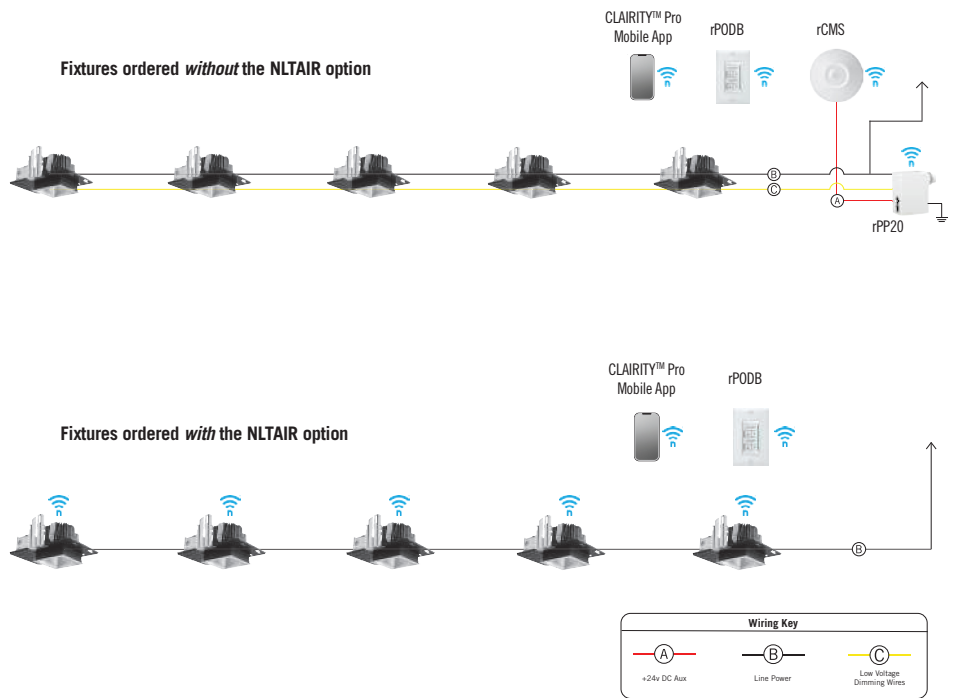
Photocell Controls	Model Number
Dimming	nCM ADCX

nLight® Wired Control Accessories (cont.)

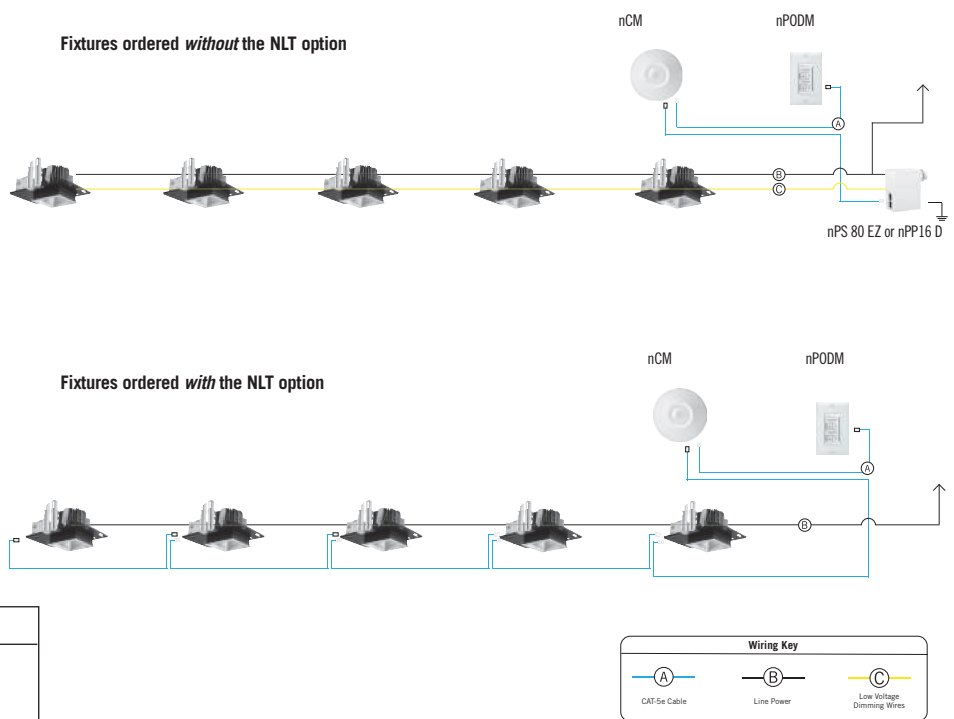
Occupancy Sensors (PIR/dual tech)	Model Number
Small motion 360°, ceiling	nCM 9 / nCM PDT 9
Large motion 360°, ceiling	nCM 10 / nCM PDT 10
Wide View	nWV 16 / nWV PDT 16
Wall switch with raise/lower	nWSX LV DX / nWSX PDT LV DX

Cat-5 Cables (plenum rated)	Model Number
10', CAT5	CAT5 10FT J1
15', CAT5	CAT5 15FT J1

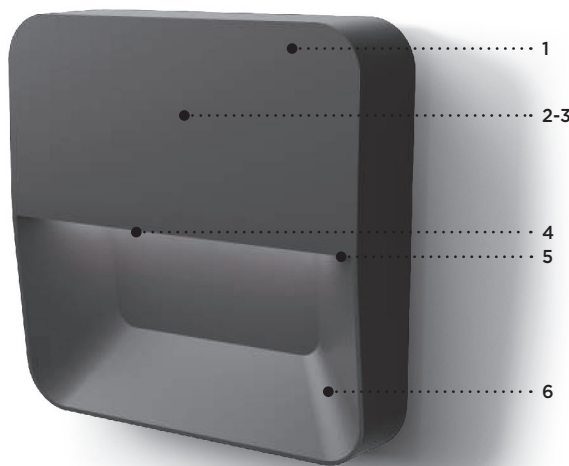
Possibilities for nLight® AIR



Possibilities for nLight® wired



W5 Luminis Step Light SCENA
Total # of pages: 3

TYPE: _____ QUANTITY: _____ PROJECT: _____
 CATALOG NUMBER:
 MODEL LED LIGHT SELECTION CCT VOLTAGE FINISH OPTION OPTION OPTION


ADA Compliant

- 1- Corrosion resistant diecast aluminum housing.
- 2- Integrated standard 0-10V driver (dim to <10%).
- 3- Precision LEDs with individual lenses for downlight asymmetric light.
- 4- Clear tampered glass.
- 5- Sealed enclosure with durable gaskets.
- 6- All hardware in stainless steel.

SN825



MATERIALS

Scena is made of aluminum diecast offering exceptional precision and durability. The main housing is perfectly sealed with durable gaskets. The integrated LED light module and 0-10V driver are protected by a clear tempered glass. With a distinctive look and perceptible quality, Scena is designed for uniform lighting performance.

ELECTRICAL

DRIVER Standard driver is 0-10V dimming-ready (dims to <10%) with: 120-277 multi-volt compatibility (50-60Hz), operating temperature range of -30°C/-22°F to 60°C/140°F, over current and output short circuit protection.

LED Offered in 2700K, 3000K, 3500K & 4000K / 80CRI.
 Optional true amber LED for turtle sensitive areas.
 Wavelengths: 609nm to 620nm.

LIFETIME

60,000hrs $L_{70B_{50}}$ (based on LM-80 report for lumen maintenance).

FINISH

Five-stage preparation process includes preheating of cast aluminum parts for air extraction. Polyester powder coating is applied through an electrostatic process, and oven cured for long term finish.

CERTIFICATION

Tested to UL1598 and CSA 22.2 #250. cULus listed wet location.
 Photometric testing performed by an independent laboratory in accordance with IES LM-79-08 standards at 25°C.
 Lumen depreciation in accordance with IESNA LM80 standards. Rated IP65.

MOUNTING

Maximum weight: 4.6lbs (2.1kg)

Scena is designed for ease of access and installation. The mounting plate is designed to fit on a 4" (102mm) octagonal electrical box using 3 1/2" (89mm) C/C mounting holes.



SN825 SERIES SCENA - LED

LUMINAIRE SELECTION

1 MODEL



2 LED LIGHT SELECTION

WHITE LED SELECTION

SUFFIX	INPUT WATTS	DELIVERED LUMENS*
<input type="checkbox"/> L1L5	12W	553
<input type="checkbox"/> L1L8	19W	817

*4000K / 80CRI

AMBER LED LIGHT SELECTION - TURTLE FRIENDLY

SUFFIX	INPUT WATTS	DELIVERED LUMENS*
<input type="checkbox"/> L1LK2A	7W	221

3 CCT °K LED

- K27 2700K*
 K30 3000K*
 K35 3500K*
 K40 4000K*

*80CRI

4 VOLTAGE

- 120V
 208V
 240V
 277V

5 FINISH

STANDARD COLORS*

- WHT Snow white
 BKT Jet black
 BZT Bronze
 MST Matte silver
 GRT Titanium gray
 DGT Gun metal
 CHT Champagne
 SGT Steel gray
 BGT English cream

OPTIONAL COLORS

- CS Custom color
 RAL RAL# color

*Refer to color chart

OPTIONS

PHOTOCELL

- PH Thermal button photocell mounted on top casted housing (as shown on image). Instant turn-on, standard 5-10 second turn-off time delay.

ENVIRONMENT

- MG Marine grade paint¹
 NT Natatorium (only available in WHT and BKT)

MOUNTING BOX

- SWK Surface wall or ceiling mounting option with 3/4" NPT conduit adaptor. (Conduit and adaptor by others)
 Supplied with 5x18AWG/36" lg. wiring (longer wires to be specified).

OPTION DETAILS



TRUE AMBER LED

Optional amber LED for turtle sensitive areas. It protects local habitat and promotes sustainability.



PH

Thermal button photocell mounted on top casted housing. Instant turn-on, standard 5-10 second turn-off time delay.



SWK

Surface wall mounting option for Ø4" weatherproof surface junction box (3/4" conduit trade size) (weatherproof junction box, conduit and adaptor by others)
 Supplied with 5x18AWG/36" lg. wiring (longer wires to be specified).
 The SWK option adds 1.65" to the total depth of the product. (No ADA compliant).



NOTES

1- Marine grade paint for harsh, coastal environment and exposure to salt water. Additional delay required please contact factory for info.

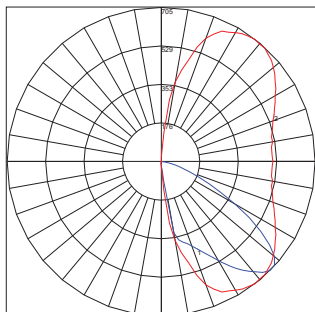
LUMINIS®

LUMINIS | Toll free: 866.586.4647 Fax: 514.683.8872 Email: info@luminis.com
 260 Labrosse, Pointe-Claire (QC) Canada H9R 5L5

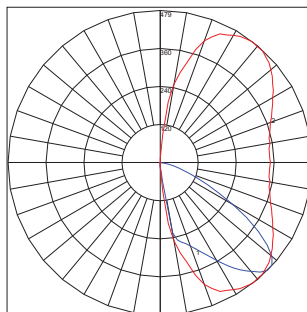
Luminaires may be altered for design improvement without prior notice.

LUMINIS.COM

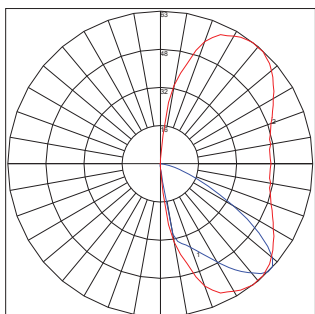
TYPICAL PHOTOMETRY SUMMARY



SN825-L1L8
 Total Lms: 817 Lumens
 Total Input Watts: 18 W
 Efficacy: 44.2 Lumens/Watt
 CCT/CRI: 4000K/80
 Max. Candela: 705 @ 52.5°H/45°V
 BUG: B0-U0-G0¹



SN825-L1L5
 Total Lms: 553 Lumens
 Total Input Watts: 12.2 W
 Efficacy: 45.5 Lumens/Watt
 CCT/CRI: 4000K/80
 Max. Candela: 479.4 @ 52.5°H/45°V
 BUG: B0-U0-G0¹



SN825-L1LK2A
 Total Lms: 221 Lumens
 Total Input Watts: 6.8 W
 Efficacy: 32.5 Lumens/Watt
 CCT/CRI: Not applicable
 Max. Candela: 190.35 @ 52.5°H/45°V
 BUG: B0-U0-G0¹

LUMEN CONVERSION FACTOR (LCF)

CCT	LCF	CRI
2700K	0.91	80
3000K	0.92	80
3500K	0.96	80
4000K	1.00	80

All Photometry shown use the Standard 80CRI 4000K LEDs.
 Please visit our web site www.luminis.com for complete I.E.S. formatted download data

NOTES

1- Tested with Jet Black paint (BKT)



W4 Lumark Wall Pack
Total # of pages: 3

DESCRIPTION

The patented Lumark Crosstour™ LED Wall Pack Series of luminaires provides an architectural style with super bright, energy efficient LEDs. The low-profile, rugged die-cast aluminum construction, universal back box, stainless steel hardware along with a sealed and gasketed optical compartment make the Crosstour impervious to contaminants. The Crosstour wall luminaire is ideal for wall/surface, inverted mount for façade/canopy illumination, post/bollard, site lighting, floodlight and low level pathway illumination including stairs. Typical applications include building entrances, multi-use facilities, apartment buildings, institutions, schools, stairways and loading docks test.

SPECIFICATION FEATURES

Construction

Slim, low-profile LED design with rugged one-piece, die-cast aluminum hinged removable door and back box. Matching housing styles incorporate both a small and medium design. The small housing is available in 12W, 18W and 26W. The medium housing is available in the 38W model. Patented secure lock hinge feature allows for safe and easy tool-less electrical connections with the supplied push-in connectors. Back box includes three half-inch, NPT threaded conduit entry points. The universal back box supports both the small and medium forms and mounts to standard 3-1/2" to 4" round and octagonal, 4" square, single gang and masonry junction boxes. Key hole gasket allows for adaptation to junction box or wall. External fin design extracts heat from the fixture surface. One-piece silicone gasket seals door and back box. Minimum 5" wide pole for site lighting application. Not recommended for car wash applications.

Optical

Silicone sealed optical LED chamber incorporates a custom engineered mirrored anodized reflector providing high-efficiency illumination. Optical assembly includes impact-resistant tempered glass and meets IESNA requirements for full cutoff compliance. Available in seven lumen packages; 5000K, 4000K and 3000K CCT.

Electrical

LED driver is mounted to the die-cast housing for optimal heat sinking. LED thermal management system incorporates both conduction and natural convection to transfer heat rapidly away from the LED source. 12W, 18W, 26W and 38W series operate in -40°C to 40°C [-40°F to 104°F]. High ambient 50°C models available. Crosstour luminaires maintain greater than 89% of initial light output after 72,000 hours of operation. Three half-inch NPT threaded conduit entry points allow for thru-branch wiring. Back box is an authorized

Catalog #		Type
Project		
Comments		Date
Prepared by		

electrical wiring compartment.

Integral LED electronic driver is standard 0-10V dimming. 120-277V 50/60Hz or 347V 60Hz models.

Finish

Crosstour is protected with a Super durable TGIC carbon bronze or summit white polyester powder coat paint. Super durable TGIC powder coat paint finishes withstand extreme climate conditions while providing optimal color and gloss retention of the installed life. Options to meet Buy American and other domestic preference requirements.

Warranty

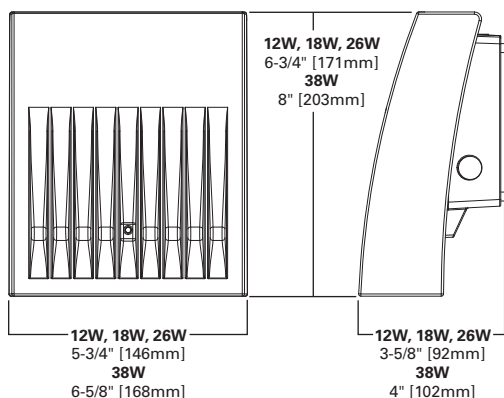
Five-year warranty.



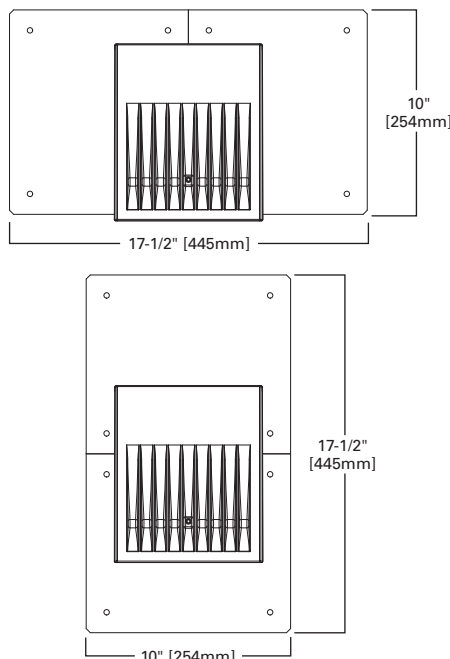
XTOR CROSSTOUR LED

APPLICATIONS:
WALL / SURFACE
POST / BOLLARD
LOW LEVEL
FLOODLIGHT
INVERTED
SITE LIGHTING

DIMENSIONS



ESCUTCHEON PLATES



CERTIFICATION DATA

Dark Sky Approved (Fixed mount, Full cutoff, and 3000K CCT only)
UL/cUL Wet Location Listed
LM79 / LM80 Compliant
ROHS Compliant
ADA Compliant
NOM Compliant Models
IP66 Ingressed Protection Rated
Title 24 Compliant
DesignLights Consortium® Qualified*

TECHNICAL DATA

40°C Maximum Ambient Temperature
External Supply Wiring 90°C Minimum

EPA

Effective Projected Area (Sq. Ft.):
XTOR1B, XTOR2B, XTOR3B=0.34
XTOR4B=0.45

SHIPPING DATA:

Approximate Net Weight:
3.7 – 5.25 lbs. [1.7 – 2.4 kgs.]

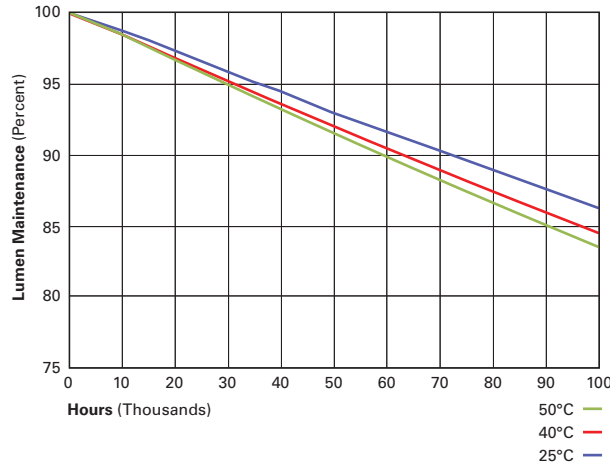
POWER AND LUMENS BY FIXTURE MODEL

LED Information	XTOR1B	XTOR1B-W	XTOR1B-Y	XTOR2B	XTOR2B-W	XTOR2B-Y	XTOR3B	XTOR3B-W	XTOR3B-Y	XTOR4B	XTOR4B-W	XTOR4B-Y
Delivered Lumens (Wall Mount)	1,418	1,396	1,327	2,135	2,103	1,997	2,751	2,710	2,575	4,269	4,205	3,995
Delivered Lumens (With Flood Accessory Kit) ¹	1,005	990	940	1,495	1,472	1,399	2,099	2,068	1,965	3,168	3,121	2,965
B.U.G. Rating ²	B1-U0-G0	B1-U0-G0	B1-U0-G0	B1-U0-G0	B1-U0-G0	B1-U0-G0	B1-U0-G0	B1-U0-G0	B1-U0-G0	B2-U0-G0	B2-U0-G0	B2-U0-G0
CCT (Kelvin)	5,000	4,000	3,000	5,000	4,000	3,000	5,000	4,000	3,000	5,000	4,000	3,000
CRI (Color Rendering Index)	70	70	70	70	70	70	70	70	70	70	70	70
Power Consumption (Watts)	12W	12W	12W	18W	18W	18W	26W	26W	26W	38W	38W	38W

NOTES: 1 Includes shield and visor. 2 B.U.G. Rating does not apply to floodlighting.

LUMEN MAINTENANCE

Ambient Temperature	TM-21 Lumen Maintenance (72,000 Hours)	Theoretical L70 (Hours)
XTOR1B Model		
25°C	> 90%	255,000
40°C	> 89%	234,000
50°C	> 88%	215,000
XTOR2B Model		
25°C	> 89%	240,000
40°C	> 88%	212,000
50°C	> 87%	196,000
XTOR3B Model		
25°C	> 89%	240,000
40°C	> 88%	212,000
50°C	> 87%	196,000
XTOR4B Model		
25°C	> 89%	222,000
40°C	> 87%	198,000
50°C	> 87%	184,000



CURRENT DRAW

Voltage	Model Series			
	XTOR1B	XTOR2B	XTOR3B	XTOR4B
120V	0.103A	0.15A	0.22A	0.34A
208V	0.060A	0.09A	0.13A	0.17A
240V	0.053A	0.08A	0.11A	0.17A
277V	0.048A	0.07A	0.10A	0.15A
347V	0.039A	0.06A	0.082A	0.12A

ORDERING INFORMATION

Sample Number: XTOR2B-W-WT-PC1

Series ¹	LED Kelvin Color	Housing Color	Options (Add as Suffix)	Accessories (Order Separately) ⁸
XTOR1B =Small Door, 12W XTOR2B =Small Door, 18W XTOR3B =Small Door, 26W XTOR4B =Medium Door, 38W BAA-XTOR1B =Small Door, 12W, Buy American Act Compliant ⁷ TAA-XTOR1B =Small Door, 12W Trade Agreements Act Compliant ⁷ BAA-XTOR2B =Small Door, 18W, Buy American Act Compliant ⁷ TAA-XTOR2B =Small Door, 18W, Trade Agreements Act Compliant ⁷ BAA-XTOR3B =Small Door, 26W, Buy American Act Compliant ⁷ TAA-XTOR3B =Small Door, 26W, Trade Agreements Act Compliant ⁷ BAA-XTOR4B =Medium Door, 38W, Buy American Act Compliant ⁷ TAA-XTOR4B =Medium Door, 38W, Trade Agreements Act Compliant ⁷	[Blank] =Bright White (Standard), 5000K W =Neutral White, 4000K Y =Warm White, 3000K	[Blank] =Carbon Bronze (Standard) WT =Summit White BK =Black BZ =Bronze AP =Grey GM =Graphite Metallic DP =Dark Platinum	PC1 =Photocontrol 120V ² PC2 =Photocontrol 208-277V ^{2,3} 347V =347V ⁴ HA =50°C High Ambient ⁴	WG/XTOR =Wire Guard ⁵ XTORFLD-KNC =Knuckle Floodlight Kit ⁶ XTORFLD-TRN =Trunnion Floodlight Kit ⁶ XTORFLD-KNC-WT =Knuckle Floodlight Kit, Summit White ⁶ XTORFLD-TRN-WT =Trunnion Floodlight Kit, Summit White ⁶ EWP/XTOR =Escutcheon Wall Plate, Carbon Bronze EWP/XTOR-WT =Escutcheon Wall Plate, Summit White

NOTES:

- DesignLights Consortium® Qualified and classified for both DLC Standard and DLC Premium, refer to www.designlights.org for details.
- Photocontrols are factory installed.
- Order PC2 for 347V models.
- Thru-branch wiring not available with HA option or with 347V. XTOR3B not available with HA and 347V or 120V combination.
- Wire guard for wall/surface mount. Not for use with floodlight kit accessory.
- Floodlight kit accessory supplied with knuckle (KNC) or trunnion (TRN) base, small and large top visors and small and large impact shields.
- Only product configurations with these designated prefixes are built to be compliant with the Buy American Act of 1933 (BAA) or Trade Agreements Act of 1979 (TAA), respectively. Please refer to [DOMESTIC PREFERENCES](#) website for more information. Components shipped separately may be separately analyzed under domestic preference requirements.
- Accessories sold separately will be separately analyzed under domestic preference requirements. Consult factory for further information.

STOCK ORDERING INFORMATION

Domestic Preferences ¹	12W Series	18W Series	26W Series	38W Series
[Blank] =Standard	XTOR1B =12W, 5000K, Carbon Bronze	XTOR2B =18W, 5000K, Carbon Bronze	XTOR3B =26W, 5000K, Carbon Bronze	XTOR4B =38W, 5000K, Carbon Bronze
BAA =Buy American Act	XTOR1B-WT =12W, 5000K, Summit White	XTOR2B-W =18W, 4000K, Carbon Bronze	XTOR3B-W =26W, 4000K, Carbon Bronze	XTOR4B-W =38W, 4000K, Carbon Bronze
TAA =Trade Agreements Act	XTOR1B-PC1 =12W, 5000K, 120V PC, Carbon Bronze	XTOR2B-WT =18W, 5000K, Summit White	XTOR3B-WT =26W, 5000K, Summit White	XTOR4B-WT =38W, 5000K, Summit White
	XTOR1B-W =12W, 4000K, Carbon Bronze	XTOR2B-PC1 =18W, 5000K, 120V PC, Carbon Bronze	XTOR3B-PC1 =26W, 5000K, 120V PC, Carbon Bronze	XTOR4B-PC1 =38W, 5000K, 120V PC, Carbon Bronze
		XTOR2B-W-PC1 =18W, 4000K, 120V PC, Carbon Bronze	XTOR3B-W-PC1 =26W, 4000K, 120V PC, Carbon Bronze	XTOR4B-W-PC1 =38W, 4000K, 120V PC, Carbon Bronze
		XTOR2B-347V =18W, 5000K, Carbon Bronze, 347V	XTOR3B-347V =26W, 5000K, Carbon Bronze, 347V	XTOR4B-347V =38W, 5000K, Carbon Bronze, 347V
		XTOR2B-WT-PC1 =18W, 5000K, 120V PC, Summit White	XTOR3B-PC2 =26W, 5000K, 208-277V PC, Carbon Bronze	

NOTES:

- Only product configurations with these designated prefixes are built to be compliant with the Buy American Act of 1933 (BAA) or Trade Agreements Act of 1979 (TAA), respectively. Please refer to [DOMESTIC PREFERENCES](#) website for more information. Components shipped separately may be separately analyzed under domestic preference requirements.

C2 io-linear-line2
Total # of pages: 5

DESCRIPTION

The iO LED Line 2.0™ luminaire from Cooper Lighting Solutions is a low voltage linear accent LED luminaire ideal for illuminating both interior and exterior vertical surfaces. The 5°, 10°, 30°, 60° and 90° (both symmetrical and asymmetrical options available) optical distributions can be utilized for accent or general illumination and are designed for tight beam control and to minimize stray light. Line 2.0™ is available in nominal 18", 36", 54" and 72" lengths. The variety of mounting options simplify installation and support a broad range of linear lighting applications.

Catalog #		Type
Project		
Comments		Date
Prepared by		

SPECIFICATION FEATURES

Construction

Line 2.0 is constructed of anodized extruded aluminum body and die cast end caps for a durable housing with UV stabilized acrylic optics.

Electrical

4'-0" 14 AWG, 300 volt rated power cords supplied on one end of the fixture. For details on remote driver distance limitations and run length limits - see pg. 3.

LED Optics

The customized acrylic optics offer very high transmissivity, UV stability and excellent longevity with optical symmetrical distribution options of 5, 10, 30, 60 and 90 degrees. Asymmetrical optic is also available. Please note acrylic optics should not be cleaned with IPA or other harsh chemicals. Acrylic can be safely cleaned with soap and

water. IES LM79 format files may be downloaded from www.cooperlighting.com. All products have an 80+ CRI. White light variance between LEDs is equal to or better than 3-step MacAdam binning.

Mounting

Three mounting bracket options include: surface, wall and offset adjustable with lockable aiming. The luminaires can quickly be locked onto the brackets for easy installation. Adjustable mounting allows fixtures to be rotated 45° with lockable aiming (see details on page 3). Remote drivers are supplied with NEMA enclosures for power connection. To ensure proper performance, architectural details should allow for ventilation and air flow around the fixture. Ambient temperature surrounding the fixture shall not exceed 122°F (50°C).

Finish

Anodized aluminum finish is standard. Custom anodized finishes available upon request.

Compliance

Outdoor fixtures are UL listed for wet locations. Indoor fixtures are UL listed for damp locations. All fixtures are RoHS compliant, and tested per IESNA LM79. LEDs comply with LM80 standards.

Environment

Line 2.0™ is UL rated for wet locations when an OD environment is specified. It is not rated for submersible applications. It should not be mounted in conditions where there is any standing water.

Warranty

Standard five-year limited warranty.

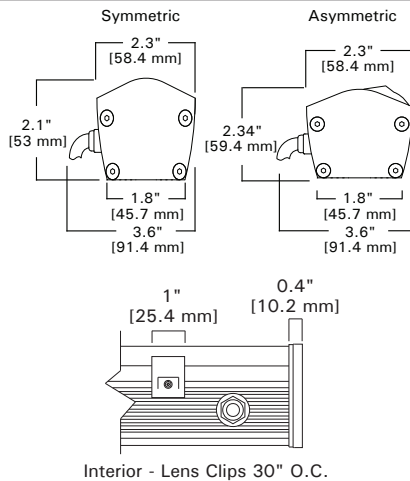
Symmetrical



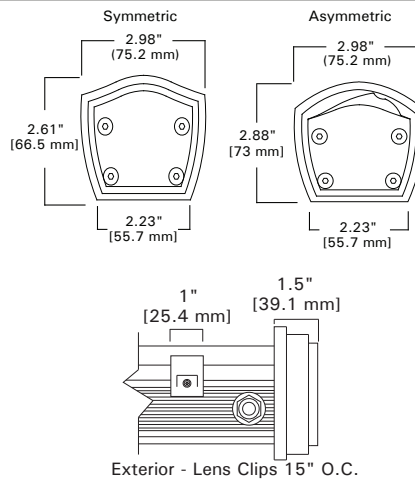
Asymmetrical



DIMENSIONS INTERIOR / END CAP DETAILS



DIMENSIONS EXTERIOR / END CAP DETAILS



LINE 2.0 LED

INTERIOR / EXTERIOR
LINEAR ACCENT LUMINAIRE
Symmetrical / Asymmetrical



IP65
cULus Damp / Wet - 1598
LM79/LM80 Compliant
ROHS Compliant

ORDERING INFORMATION

SAMPLE NUMBER 0.05-06W-830-30-ID-HCD-UNV-AN-AM-1-E-7F6

Series	Light Level ¹ / Power (nominal for 12" section)	LED CRI & CCT	Optical Distribution	Environment	Driver ²
0.05 = iO Line 2.0	03W = 286 lumens/ft (3.9W/ft) 06W = 478 lumens/ft (6.6W/ft) 09W = 649 lumens/ft (9.4W/ft) 12W = 744 lumens/ft (12.1W/ft)	827 = 80+ CRI, 2700K CCT 830 = 80+ CRI, 3000K CCT 835 = 80+ CRI, 3500K CCT 840 = 80+ CRI, 4000K CCT	5 = 5 degree 10 = 10 degree 30 = 30 degree 60 = 60 degree 90SYM = 90 degree - Symmetric 90ASYM = 90 degree - Asymmetric	ID = Indoor fixture, NEMA 1 driver enclosure included OD = Outdoor fixture, NEMA 4x driver enclosure included	STD = 96 W, 0-10V (100% - 10% dimming) HCD = 96 W, 0-10V (100% - 0% dimming)
Voltage	Housing Color ³	Mounting	Driver Location ⁴	Length ^{2,5} (Actual in./mm) (Specify Run or Individual fixture)	
UNV = 120V-277V	AN = Standard anodized aluminum	SM = Surface mount WM = Wall mount AM = Adjustable mount	E = End driver location	_F_ = specify nominal run length in feet and inches (only available in 18" increments) (e.g. 7F6 = 7' 6" run) Or select individual fixtures: 1F6 = 18" (17.71"/449.83mm) 3F0 = 36" (34.71"/881.63mm) 4F6 = 54" (51.71"/1313.43mm) 6F0 = 72" (68.71"/1745.23mm)	

See page 5 for Technical Notes.

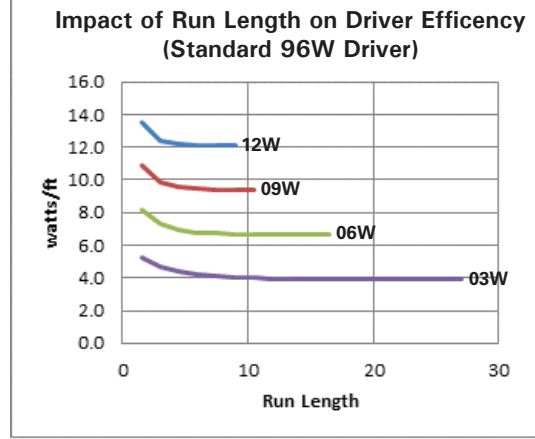
Cooper Lighting Solutions
18001 East Colfax Avenue
Aurora, CO 80011
P: 303-393-1522
www.cooperlighting.com

Specifications and dimensions subject to change without notice.
See additional information on the following pages.

TD519022EN
04/05/2021
1 of 5

LIGHT OUTPUT TABLE

Input, W (Includes driver losses) for max run length	Delivered Lumens/ft. per Optical Distribution						
	CCT	5°	10°	30°	60°	90 SYM	90 ASYM
03W = 3.9 W/ft	2700	213	222.9	252.5	209.9	259	98
	3000	227.8	238.4	270.1	224.5	276	105
	3500	236.9	247.9	280.9	233.5	288	109
	4000	241.4	252.7	286.3	238	293	111
06W = 6.6 W/ft	2700	355.8	372.5	421.9	350.8	432	238
	3000	380.6	398.3	451.2	375.2	462	255
	3500	395.8	414.3	469.3	390.2	480	265
	4000	403.4	422.2	478.3	397.7	490	270
09W = 9.4 W/ft	2700	482.9	505.5	572.6	476	586	332
	3000	516.5	540.6	612.4	509.1	627	355
	3500	537.1	562.2	636.9	529.5	652	369
	4000	547.5	573	649.1	539.7	665	377
12W = 12.1 W/ft	2700	553.4	579.2	656.1	545.5	672	567
	3000	591.9	619.5	701.7	583.4	718	607
	3500	615.5	644.3	729.8	606.8	747	631
	4000	627.4	656.7	743.8	618.4	762	643

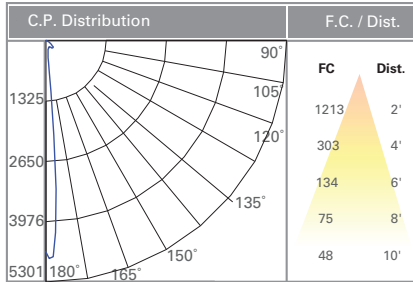


LIGHT OUTPUT CONVERSION TABLE

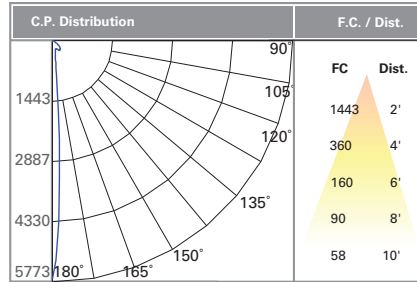
CCT	03W	06W	09W	12W
2700K	0.34	0.57	0.77	0.88
3000K	0.36	0.61	0.82	0.94
3500K	0.38	0.63	0.86	0.98
4000K	0.39	0.64	0.87	1.00

LIGHT OUTPUT / DISTRIBUTION SYMMETRIC

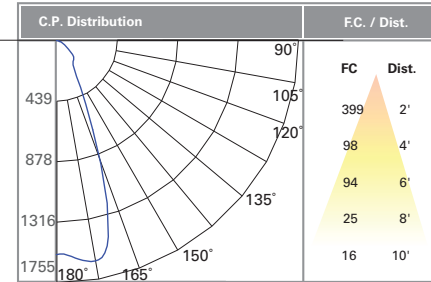
36" 4000K, 12W 5 Degree*



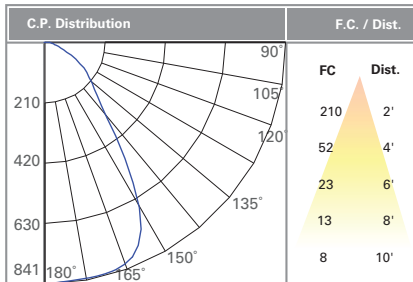
36" 4000K, 12W 10 Degree*



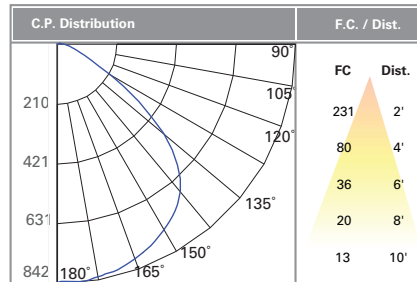
36" 4000K, 12W 30 Degree*



36" 4000K, 12W 60 Degree*

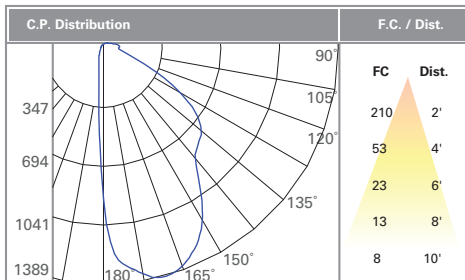


36" 4000K, 12W 90 Degree Symmetric*



LIGHT OUTPUT / DISTRIBUTION ASYMMETRIC

36" 4000K, 12W 90 Degree Asymmetric*



*Note: Light output / distributions based on IES file

INSTALLATION DETAILS

Max Run Length

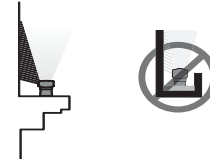
96W Driver	E = End of Driver Location
line 2.0 - 03W	26' (7.92 m)
line 2.0 - 06W	17' (5.18 m)
line 2.0 - 09W	12' (3.66 m)
line 2.0 - 12W	8' (2.44 m)

Max Allowable Remote Driver Distance by Wire Diameter

Wire Diameter	Max Allowable Remote Driver Distance
12 AWG	71'-0" (21.6m)
14 AWG	46'-0" (14.0m)
18 AWG	18'-0" (5.5m)

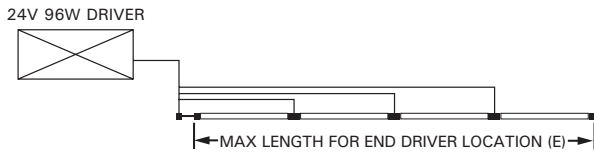
NOTE: Line 2.0™ from iO Lighting is UL listed for wet locations when OD is specified. It is not rated for submersible applications. Line 2.0 should not be mounted in conditions where the fixture could be exposed to standing water.

Ambient temperature surrounding the fixture shall not exceed 122° F (50°C)



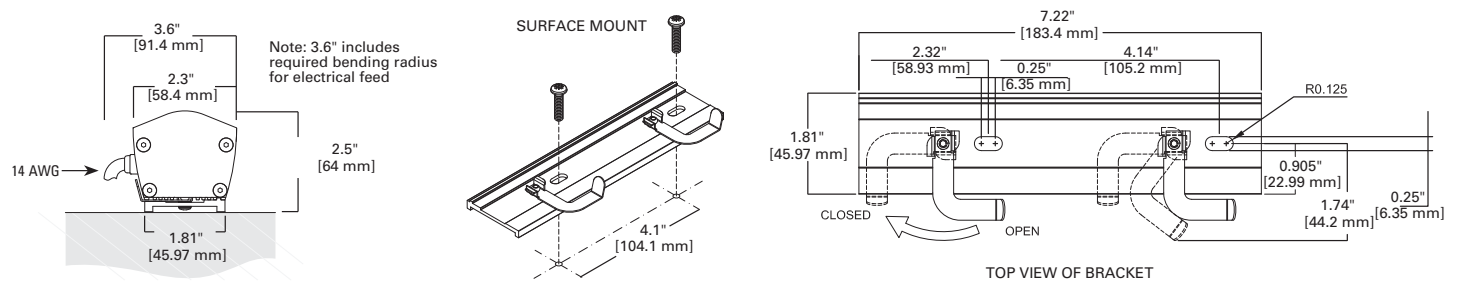
DRIVER LOCATION DIAGRAM

End Driver Location (E):

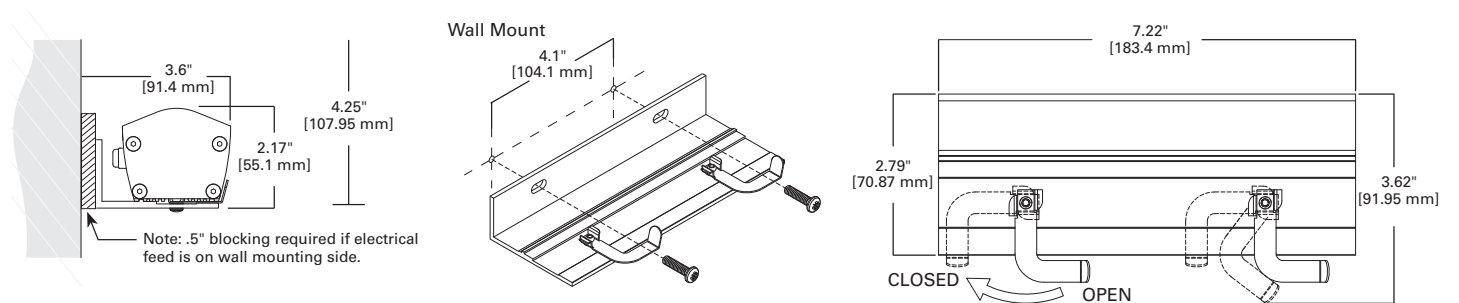


MOUNTING OPTIONS AND BRACKETS

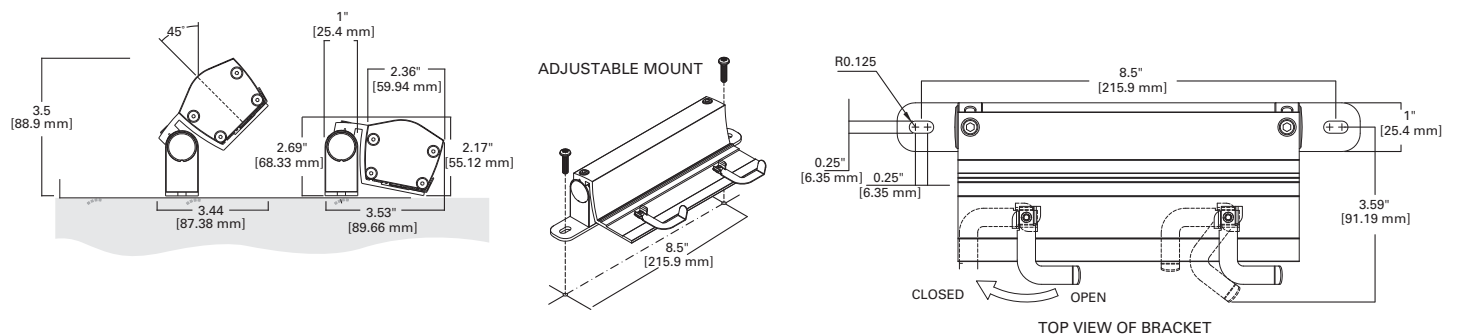
Surface Mount (iO part #: LA.BK.SURFMT)



Wall Mount (iO part #: LA.BK.WALLMT)



Field Adjustable Mount with Lockable Aiming (iO part #: LA.BK.ADJMT)



ELECTRICAL FEED CONFIGURATION



Single Side End Feed
Symmetric



Single Side End Feed
Asymmetric

DRIVER DETAILS

Driver Part Number	Description
STD	96W Driver (capable of either Non-Dimming or 0-10V dimming down to 10%) and either NEMA 1 Enclosure (for indoor spec) or NEMA 4 Enclosure (for outdoor spec).
HCD	96W Driver (capable of 0-10V dimming down to 1% with included OTDIM module) and either NEMA 1 Enclosure (for indoor spec) or NEMA 4 Enclosure (for outdoor spec).

Note: See page 3 for driver run length limits

STD DRIVER SPECIFICATIONS

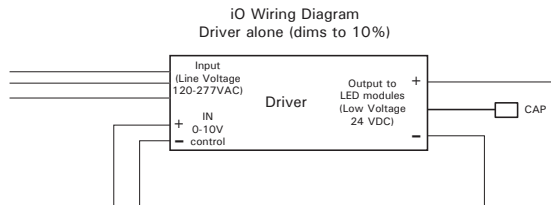
Electrical Specifications	
Input	
Input Voltage (VAC)	120V - 277V (+/-10%)
Frequency Range (Hz)	50 - 60Hz (+/-10%)
Input Current (A)	0.91 @ 120V 0.39 @ 277V
Input Power (W)	111W
THD	< 20%
Power Factor	> 0.95
Inrush Current (Apk)	< 55A
Line Regulation	< 5%
Stand-by Power (W)	< 1.5W
Output	
Output Voltage (VDC)	24V (+/-5%)
Output Current (A)	0.1 - 4.0A
Output Ripple (V)	1V
Efficiency	>85% (Typical)
Load Regulation	<5%
Dimming	
Dimming Control	0 - 10V
Dimming Range	10 - 100%
Dimming Type	PWM
Frequency	250Hz

HCD DIMMING MODULE SPECIFICATIONS

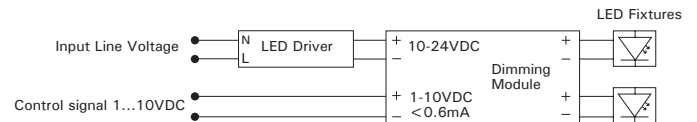
Key Dimming Features	
Utilizes pulse width modulation (PWM), to control LED performance	
Options available for analog or DMX protocols	
Dimming range: 0-100%	
Short circuit, overload and overheating protection	
Dimming Module Specifications	
Location:	Dry
Input Voltage:	24v DC
Max Input Current:	5.3A
Control Voltage:	0-10v DC
Frequency:	135 Hz
Ambient Temp:	-20°C to +50°C
Weight:	.165 lbs
Power Consumption:	Up to 3W

Details on NEMA enclosure options available in the iO LED Accessories Spec Sheet section of the Cooper Lighting Solutions website

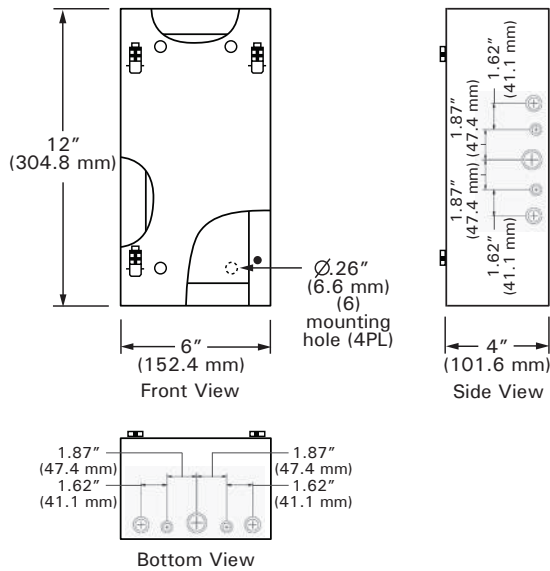
STD DRIVER WIRING



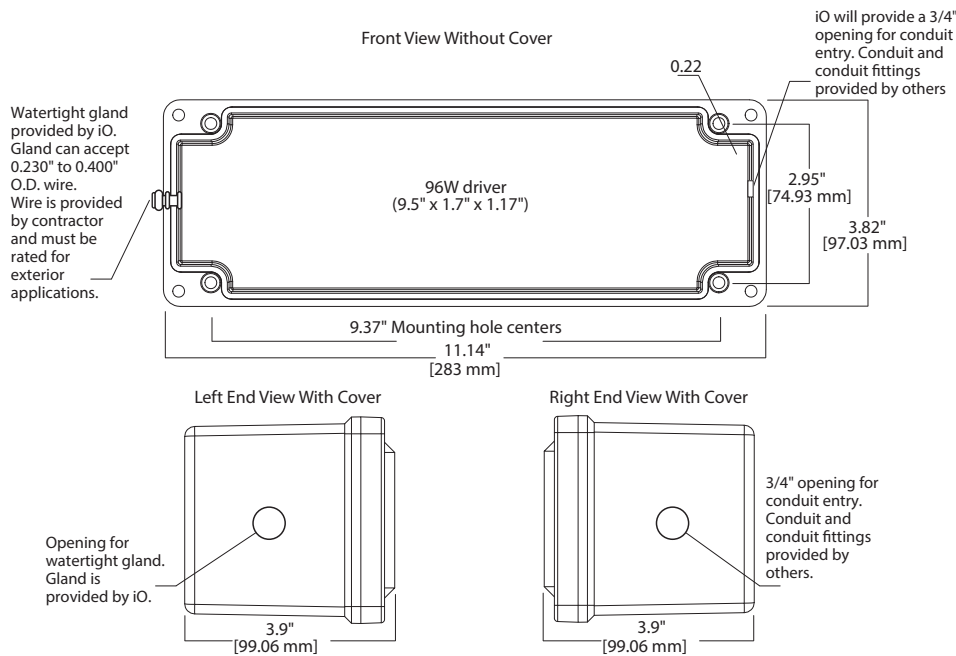
HCD DIMMING MODULE WIRING



NEMA 1 ENCLOSURE DIMENSIONS (for ID specifications)



NEMA 4x ENCLOSURE DIMENSIONS (for OD specifications)



TECHNICAL NOTES

1. Light Level provided in delivered lumens based on IES files for 4000K CCT with 30° optical distribution. See table on page 2 for delivered lumen output of all CCTs.
2. Drivers will be optimized if run length is specified; Discrete fixtures will include 1 driver per fixture. Contact Customer Service to order fixtures only.
3. Contact Cooper Lighting Solutions for custom color availability.
4. See Driver Location diagram on page 3.
5. Specified run lengths will be optimized with 6 ft. fixtures and completed with shorter fixtures to satisfy the run length without the total actual length (rather than total nominal length) going greater than the specified run length.

C2 io Driver 96ND-12X6X4
Total # of pages: 4

OPTOTRONIC® Power Supply OT96W/24V/UNV/DIM



GENERAL INFORMATION

Item Number	51520
Type	Constant Voltage
Output Power	96W (Max.)
Output Voltage	24V DC
Input	Universal (120-277V)

ELECTRICAL SPECIFICATIONS

Input

Input Voltage (VAC)	120V-277V (+/- 10%)
Frequency Range (Hz)	50 – 60 Hz (+/- 10%)
Input Current (A)	0.91 @ 120V 0.39 @ 277V
Input Power (W)	111W
THD	< 20%
Power Factor	> 0.95
Inrush Current (A _{pk})	< 55A
Line Regulation	< 5%
Stand-by Power (W)	< 1.5W

Output

Output Voltage (VDC)	24V (+/- 5%)
Output Current (A)	0.1 – 4.0A
Output Ripple (V)	1V
Efficiency	>85% (Typical)
Load Regulation	<5%

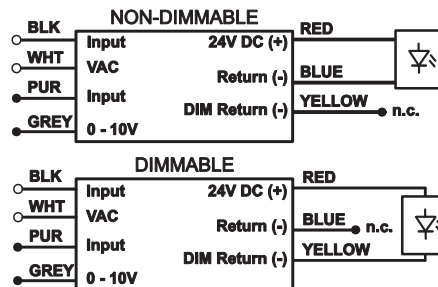
DIMMING

Dimming Control	0 – 10V
Dimming Range	10 – 100%
Dimming Type	PWM
Frequency	250Hz
Dimming Input Isolation	2.5KV

ENVIRONMENTAL SPECIFICATIONS

Ambient Operating Temp	-25 to 40 °C
Max. Case Temp. Tc	75°C
Storage Temp.	-25 to 50 °C
Max. Relative Humidity (%)	96% non-condensing
Surge Protection (KV)	ANSI C62.41 Cat A (2.5KV)
Vibration Rating	3G
Overvoltage Protection	Yes
Short Circuit Protection	Yes
Over-temperature Protection	Yes
UL Environmental Rating	Damp
IP Rating	IP64
EMI Compliance	FCC Part 15 Class A

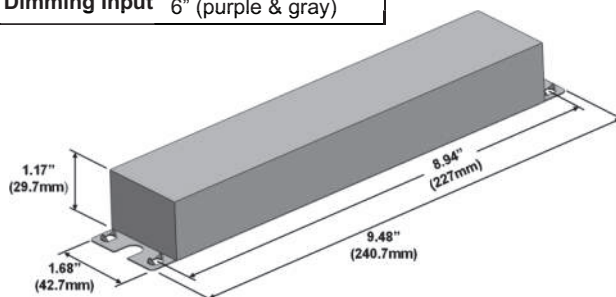
WIRING DIAGRAM



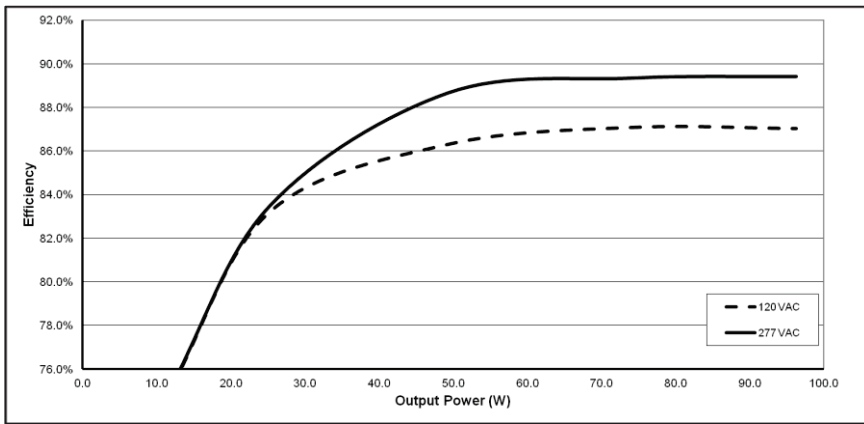
Note: Mounting distance for 18 AWG wire is 15 feet. For additional information on further distances and EMI compliance reference application note LED126.

MECHANICAL DIAGRAM

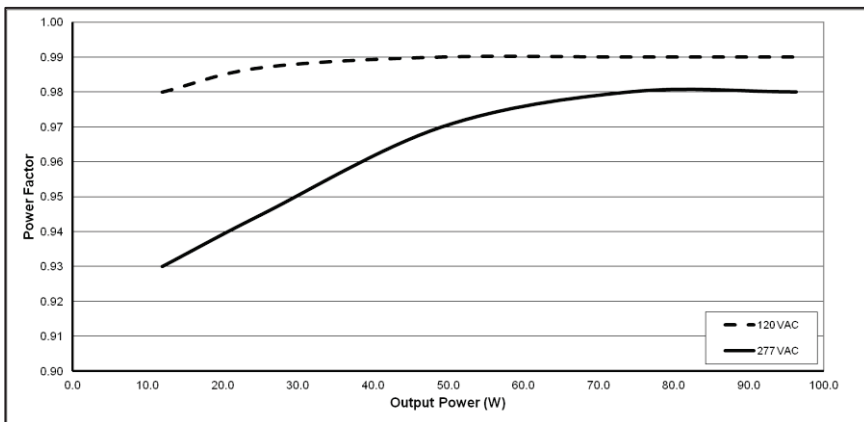
Wiring	Leads Only
Wire Gauge	18AWG
Input Wire	6" (black & White)
Output	6" (red, blue & yellow)
Dimming Input	6" (purple & gray)



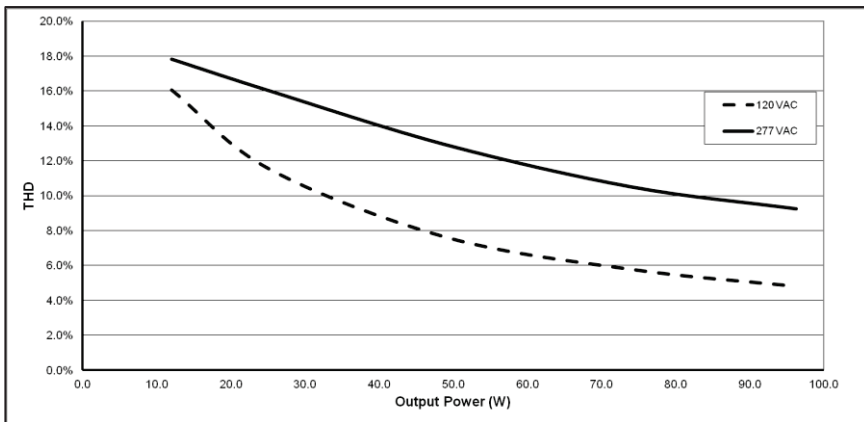
TYPICAL EFFICIENCY



TYPICAL POWER FACTOR



TYPICAL THD



WARRANTY

OPTOTRONIC® products are covered by our LED Module, OPTOTRONIC Power Supply or Control Warranty. For additional details, refer to the latest version of the warranty available at www.sylvania.com.

United States

OSRAM SYLVANIA
100 Endicott Street
Danvers, MA 01923

Trade

Phone: 1-800-255-5042

Fax: 1-800-255-5043

National Accounts

Phone: 1-800-562-4671

Fax: 1-800-562-4674

OEM/Special Markets

Phone: 1-800-762-7191

Fax: 1-800-762-7192

Display Optic

Phone: 1-888-677-2627

Fax: 1-800-762-7192

SYLVANIA Lighting Service

Phone: 1-800-323-0572

Fax: 1-800-537-0784

Canada

OSRAM SYLVANIA LTD./LTÉE
2001 Drew Road
Mississauga, ON L5S 1S4

Trade

Phone: 1-800-263-2852

Fax: 1-800-667-6772

OEM/Special Markets

Phone: 1-800-265-2852

Fax: 1-800-667-6772

SYLVANIA Lighting Service

Phone: 1-800-663-4268

Fax: 1-866-239-1278

Mexico

OSRAM Mexico

Headquarters

Tultitlan/Edo de Mexico

011-52-55-58-99-18-50

SYLVANIA and SEE THE WORLD IN A NEW LIGHT are registered trademarks of OSRAM SYLVANIA Inc. OSRAM and OPTOTRONIC are registered trademarks of OSRAM AG. Specifications subject to change without notice 1-800-LIGHTBULB (1-800-544-4828)

96W Driver

POWER SUPPLY | 96ND-12X6X4

Remote Distance		Diameter	
7'-0"	(2.1m)	w/22 AWG	(.644mm)
18'-0"	(5.5m)	w/18 AWG	(1.02mm)
46'-0"	(14.0m)	w/14 AWG	(1.63mm)
71'-0"	(21.6m)	w/12 AWG	(2.05 mm)

100W	Max Run Length in Series		Max Run Lengths in Parallel	
line .75 - SO / ledge / luxrail	47'	(14.33m)	87'	(26.52m)
line .75 - HO / ledge / luxrail	12'	(3.66m)	23'	(7.018m)
line .75 - VHO (and color) / ledge	9'	(2.74m)	17'	(5.18m)
line 1.5 - SO	30'	(3.66m)	60'	(18.23m)
line 1.5 - HO	8'	(2.44m)	16'	(4.88m)
line 1.5 - VHO (and color)	6'	(1.82m)	12'	(3.66m)
line 2.0 - SO	26'	(7.92m)	26'	(7.92m)
line 2.0 - HO	17'	(5.18m)	17'	(5.18m)
line 2.0 - VHO	12'	(3.66m)	12'	(3.66m)
line 2.0 - V2HO / B / G / A	8'	(2.44m)	8'	(2.44m)
line 2.0 - R	6'	(1.82m)	6'	(1.82m)

12x6x4 Enclosure

POWER SUPPLY | 100ND-12X6X4



Enclosure Construction

Enclosure and cover are fabricated from code 16 gauge steel. Enclosure body has mounting holes on the back and are available with or without knock outs on the sides, top and bottom ends. Cover is secured to the body with plated hex head combo screws, and has keyhole slots for easy removal without removing screws.

Enclosure Industry Standards

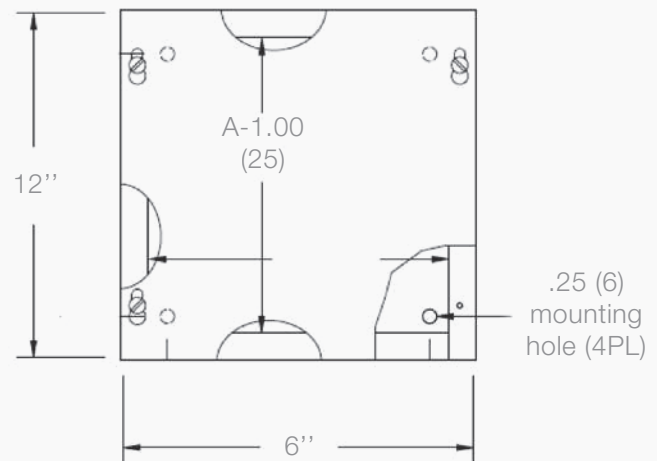
- UL 50 Listed, Type 1
- CSA C22.2 No. 40 certified, Type 1
- Conforms to NEMA standard for Type 1
- IEC 60529, IP30

*One driver enclosure can hold one 20W or 100W driver and one dimming module.

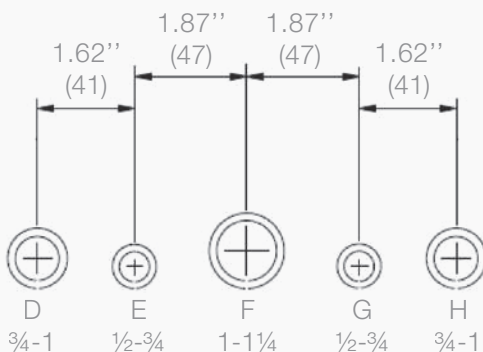
Left End With Cover



Front View Without Cover



Conduit Sizes



Note: Dimensions are in inches. Millimeters are for reference only. Data subject to change without notice.