

GENERAL NOTES

CRITERIA

CODE: 2009 EDITION OF INTERNATIONAL BUILDING CODE (IBC) AS AMENDED BY THE STATE OF ALASKA AND CITY AND BOROUGH OF JUNEAU

STRUCTURAL RISK CATEGORY: IV ESSENTIAL FACILITY

LOADS:

SNOW

GROUND SNOW LOAD: 70 PSF
 THERMAL COEFFICIENT, Ct = 1.1 (VENTED)
 EXPOSURE COEFFICIENT, Ce = 0.9 (TERRAIN CATEGORY D, FULLY EXPOSED)
 IMPORTANCE, Is = 1.2 (OCCUPANCY CATEGORY IV)
 FLAT ROOF SNOW: 58 PSF AT MAIN ROOFS

LIVE LOADS

2ND FLOOR 125 PSF

WIND LOADS:

WIND SPEED: 105 MPH (3-SECOND GUST)
 EXPOSURE: D

SEISMIC LOADS

SITE CLASS: D
 Ss = 0.61g, Fa = 1.32, Sds = 0.53g
 S1 = 0.38g, Fv = 1.64, Sd1 = 0.42g
 DESIGN CATEGORY D
 R = 6.5
 IMPORTANCE, Ie = 1.5
 Cs = 0.12g

FOUNDATION:

FOUNDATION HAS BEEN DESIGNED FOR AN ALLOWABLE SOIL PRESSURE OF 3000 PSF BASED UPON GENERAL NOTES OF ORIGINAL BUILDING PLANS

MATERIALS AND CONSTRUCTION

BASE COURSE

BASE COURSE SHALL CONFORM TO GRADATION D1 BASE COURSE MATERIAL AS SPECIFIED IN SECTION 02204 OF CBJ STANDARD SPECIFICATIONS. PLACE BASE COURSE IN ONE LIFT AND COMPACT WITH A MINIMUM LEVEL OF EFFORT OF 8 PASSES WITH A WALK BEHIND DOUBLE DRUM OR VIBRATORY PLATE COMPACTOR WITH A MINIMUM RATING OF 14,000 POUNDS.

CONCRETE

MIXING, PLACING, AND CURING OF CONCRETE AND SELECTION OF MATERIALS SHALL BE IN ACCORDANCE WITH THE IBC. PROPORTIONS OF AGGREGATE, CEMENT AND WATER SHALL BE SUCH TO RESULT IN A DENSE WORKABLE MIX WHICH CAN BE PLACED WITHOUT EXCESS SURFACE WATER. A MIX DESIGN, WITH RECORDED CYLINDER TEST RESULTS SHALL BE SUBMITTED FOR REVIEW AND APPROVAL PRIOR TO MOBILIZING CONCRETE EQUIPMENT TO THE SITE. MAXIMUM SLUMP SHALL BE 4 INCHES PRIOR TO ADDING PLASTICISERS OR WATER REDUCERS ON SITE. 28-DAY COMPRESSIVE STRENGTH (fc') SHALL BE 4,000 PSI. EXCEPT FOR INTERIOR SLABS ON GRADE, CONCRETE SHALL BE ENTRAINED WITH AIR SO THAT AIR CONTENT WILL BE BETWEEN 5 AND 8 PERCENT.

CONCRETE REINFORCING SHALL COMPLY WITH ASTM A615 GRADE 60. LAP REINFORCING STEEL 50 BAR DIAMETERS UNLESS OTHERWISE NOTED. AT CORNERS ADD CORNER BARS AT EACH HORIZONTAL BAR WITH LEG LENGTH AT LEAST 50 DIAMETER LAP LENGTH OR EXTEND THE HORIZONTAL BARS WITH A 90 DEGREE HOOK WITH A 50 DIAMETER LAP LENGTH.

REINFORCING STEEL FABRICATION DRAWINGS SHALL BE PREPARED BY AN EXPERIENCED DETAILER CONFORMING TO STANDARD PRACTICE AS OUTLINED IN ACI 315. SUBMIT SHOP DRAWINGS FOR REVIEW AND APPROVAL PRIOR TO STARTING FABRICATION.

REINFORCING SHALL BE SUPPORTED AND SECURED IN PLACE PRIOR TO CONCRETE PLACEMENT USING WELL-CURED CONCRETE BLOCKS OR APPROVED STEEL CHAIRS. WELDING OF REINFORCING IS PROHIBITED UNLESS SPECIFICALLY NOTED.

PROVIDE MINIMUM COVER AT REINFORCING BARS AS FOLLOWS: CAST AGAINST EARTH 3 INCHES, EXPOSED TO EARTH OR WEATHER 2 INCHES AND SLABS ON GRADE 1.5 INCHES.

STRUCTURAL STEEL AND ANCHOR BOLTS

STEEL SHALL CONFORM TO THE FOLLOWING:

ANCHOR BOLTS ASTM A307 OR F1554 GRADE 36, GALVANIZED PER ASTM A153
 PLATES AND ANGLES: ASTM A36
 WIDE FLANGES ASTM A992
 TUBE STEEL ASTM A500, GRADE B
 BOLTS, STEEL TO STEEL ASTM A 325
 THREADED ROD ASTM A 36

ALL STEEL SHALL BE FABRICATED AND ERECTED IN ACCORDANCE WITH THE AISC "CODE OF STANDARD PRACTICE" LATEST EDITION. ALL WELDING SHALL BE PERFORMED IN AN APPROVED SHOP BY QUALIFIED WELDERS FOLLOWING APPROVED WELDING PROCEDURES IN ACCORDANCE WITH AWS D1.1, STRUCTURAL WELDING CODE. SUBMIT STEEL SHOP FABRICATION DRAWINGS FOR REVIEW AND APPROVAL. SUBMIT FIELD WELDER QUALIFICATIONS AND FIELD WELDING PROCEDURES FOR REVIEW AND APPROVAL.

SHEATHING

SHEATHING SHALL BE PLYWOOD AND SHALL CONFORM WITH APA PS 1, EXPOSURE 1 SHEATHING GRADE CC OR OF A BETTER GRADE.

TIMBER FRAMING

SPECIES AND GRADES: UNLESS NOTED OTHERWISE, ALL TIMBER 2 TO 4 INCHES THICK SHALL BE HEM FIR NO 2 GRADE, TIMBER 5 INCHES AND GREATER IN THICKNESS SHALL BE HEM FIR NO 1 GRADE OR OF A BETTER SPECIES AND GRADE, VISUALLY GRADED IN ACCORDANCE WITH THE WESTERN WOODS PRODUCTS ASSOCIATION, LATEST GRADING RULES. ALL SAWN FRAMING SHALL BE STAMPED WITH LUMBER SPECIES AND GRADE.

TIMBER SHALL BE FABRICATED AND JOINED TO CREATE SNUG TIGHT CONNECTIONS UNLESS NOTED OTHERWISE. BOLTS SHALL CONFORM TO ASTM A307 AND BE GALVANIZED. HOLES FOR BOLTS SHALL BE NO GREATER THAN THE BOLT DIAMETER PLUS 1/8 INCH. ALL BOLTS WITH HEAD OR NUT IN CONTACT WITH TIMBER SHALL BE INSTALLED WITH GALVANIZED WASHERS UNDER THE HEAD AND NUTS. ALL NAILED CONNECTIONS SHALL BE CONNECTED USING GALVANIZED BOX NAILS.

ALL PRE-FABRICATED HANGERS AND CONNECTORS NOTED IN THE PLANS ARE THE PRODUCT OF THE SIMPSON STRONG-TIE COMPANY. HANGERS AND CONNECTORS MADE BY OTHER MANUFACTURER'S MAY BE CONSIDERED FOR SUBSTITUTION IF THE HANGER OR CONNECTOR HAS EQUAL OR GREATER LOAD CAPACITY, EQUAL OR GREATER CORROSION RESISTANCE AND BE OF AN APPROPRIATE EQUAL CONFIGURATION. SUBMIT ICBO ER FOR REVIEW AND APPROVAL WITH ANY REQUEST FOR SUBSTITUTION.

TIMBER AND LUMBER NOTED AS TREATED SHALL BE PRESSURE PRESERVATIVE TREATED IN ACCORDANCE WITH AWPA C2 FOR IN GROUND CONTACT USING A PRESERVATIVE APPROVED BY THE ENGINEER. FIELD TREAT ALL DAMAGE TO PRESSURE TREATED ENDS AND SURFACES IN ACCORDANCE WITH AWPA M-4 USING 2 COATS OF COPPER NAPHTHANATE SOLUTION AT DAMAGE, CUTS, HOLES, CHAMFERS, DAPS, COUNTERSINKS, ETC.

GLUED LAMINATED TIMBER BEAMS SHALL BE MADE OF DOUGLAS FIR AND BE COMBINATION 24F-V4 FOR SIMPLE SPAN BEAMS AND 24F-V8 FOR CONTINUOUS OR CANTILEVERED SPANS.

I JOISTS

I JOISTS SHALL CONSIST OF SOLID TIMBER OR LAMINATED VENEER LUMBER FLANGES AND A PLYWOOD WEB. I JOISTS SHALL BE AS MANUFACTURED BY THE RED BUILT COMPANY AND BE THE TYPE INDICATED ON THE PLANS OR OF APPROVED EQUAL. IF ALTERNATE I JOIST IS PROPOSED THE SUBSTITUTION SHALL HAVE THE SAME CHARACTERISTICS AND LOAD CAPACITY OF THE MAKE AND MODEL INDICATED. ANY REQUEST FOR SUBSTITUTION SHALL INCLUDE AN ICBO EVALUATION REPORT. HANDLE AND STORE IN ACCORDANCE WITH MANUFACTURER INSTRUCTIONS.

LAMINATED VENEER LUMBER

LAMINATED VENEER LUMBER SHALL BE ROASEBURG FOREST PRODUCTS COMPANY RIGID LAM LVL OR APPROVED EQUAL. CHARACTERISTICS AND ALLOWABLE STRESSES INCLUDE THE FOLLOWING:

MODULUS OF ELASTICITY:	E = 2.0 X 10 ⁶ PSI
ALLOWABLE FIBER BENDING,	Fb = 2,900 PSI
ALLOWABLE SHEAR	FV = 285 psi
ALLOWABLE COMPRESSION PERPENDICULAR TO THE GRAIN	Fcperp = 725 psi
ALLOWABLE COMPRESSION PARALLEL TO GRAIN	Fc = 2750 psi

HANDLE AND STORE IN ACCORDANCE WITH MANUFACTURER'S INSTRUCTIONS

ABBREVIATIONS

ACI	AMERICAN CONCRETE INSTITUTE
AISC	AMERICAN INSTITUTE OF STEEL CONSTRUCTION
AITC	AMERICAN INSTITUTE OF TIMBER CONSTRUCTION
APA	AMERICAN PLYWOOD ASSOCIATION
ASTM	AMERICAN SOCIETY FOR TESTING AND MATERIALS
AWPA	AMERICAN WOOD PRESERVERS ASSOCIATION
AWS	AMERICAN WELDING SOCIETY
BN	BOUNDARY NAILING OR SCREWING
CL	CENTERLINE
CBJ	CITY AND BOROUGH OF JUNEAU
EA	EACH
EN	EDGE NAILING
EW	EACH WAY
g	ACCELERATION DUE TO GRAVITY
IBC	INTERNATIONAL BUILDING CODE
ICBO	INTERNATIONAL CONFERENCE OF BUILDING OFFICIALS
MAX	MAXIMUM
MIN	MINIMUM
NO/#	NUMBER
OC	ON CENTER
PLWD	PLYWOOD
PS	PRODUCT STANDARD
PSF	POUNDS PER SQUARE FOOT
PSI	POUNDS PER SQUARE INCH
STD	STANDARD
TYP	TYPICAL

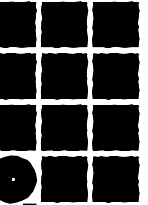


ENGINEERS, INC.

9360 Glacier Highway, Ste. 100
 JUNEAU, ALASKA 99801

PHONE (907) 586-2093
 FAX (907) 586-2099

PND Project No.: 152061



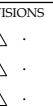
**Jensen
 Yorba
 Lott
 Inc.**

522 West 10th Street
 Juneau, Alaska 99801
 phone 907-586-1070
 fax 907-586-3959
 jensenyorbalott.com



City and Borough of Juneau
AIRCRAFT RESCUE & FIRE FIGHTING
STATION MODIFICATION
 CBJ Contract No. E16-026
 AIP Contract No. 3-02-0133-XXX-2016
Juneau International Airport

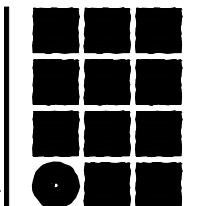
REVISIONS



SHEET TITLE
**STRUCTURAL
 GENERAL NOTES**

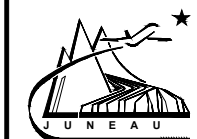
DATE: MARCH, 2016
 FILE: 15034

S001

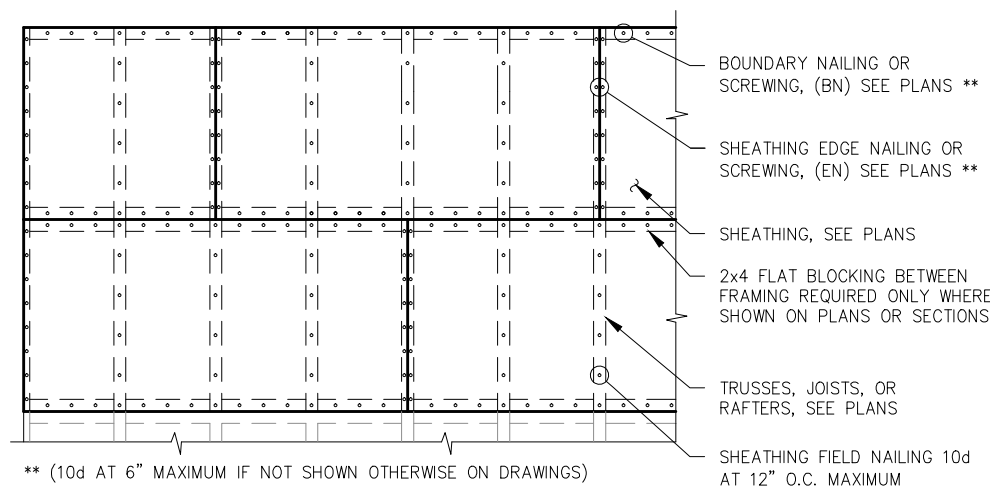


**Jensen
Yorba
Lott
Inc.**

522 West 10th Street
 Juneau, Alaska 99801
 phone 907-586-1070
 fax 907-586-3959
 jensenyorbalott.com



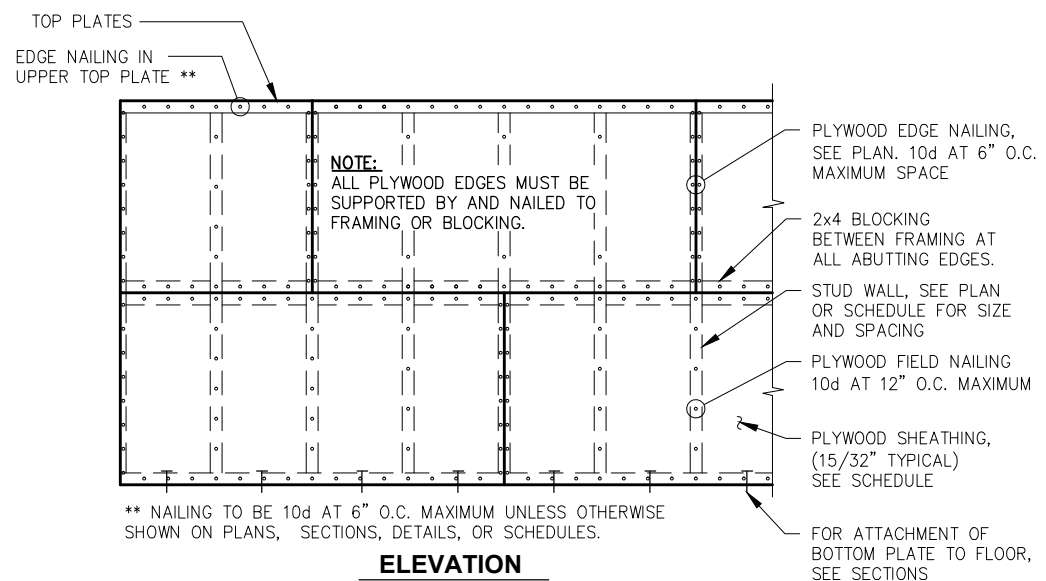
City and Borough of Juneau
**AIRCRAFT RESCUE & FIRE FIGHTING
 STATION MODIFICATION**
 CBJ Contract No. E16-026
 AJP Contract No. 3-02-0133-XXX-2016
 Juneau International Airport



PLAN

- NOTES:**
1. STAGGER SHEATHING JOINTS A MINIMUM OF TWO JOIST SPACES
 2. NAILS AT ABUTTING SHEATHING EDGES MUST PENETRATE THE SAME PIECE OF FRAMING OR BLOCKING.

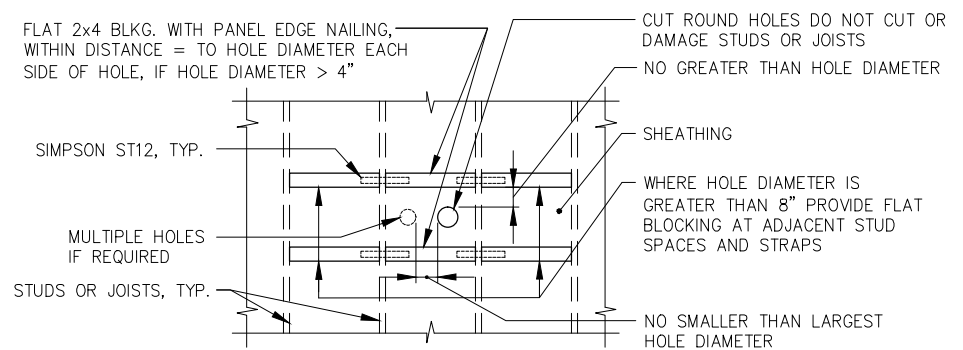
A TYPICAL PLYWOOD DIAPHRAGM FOR FLOOR OR ROOF DETAIL



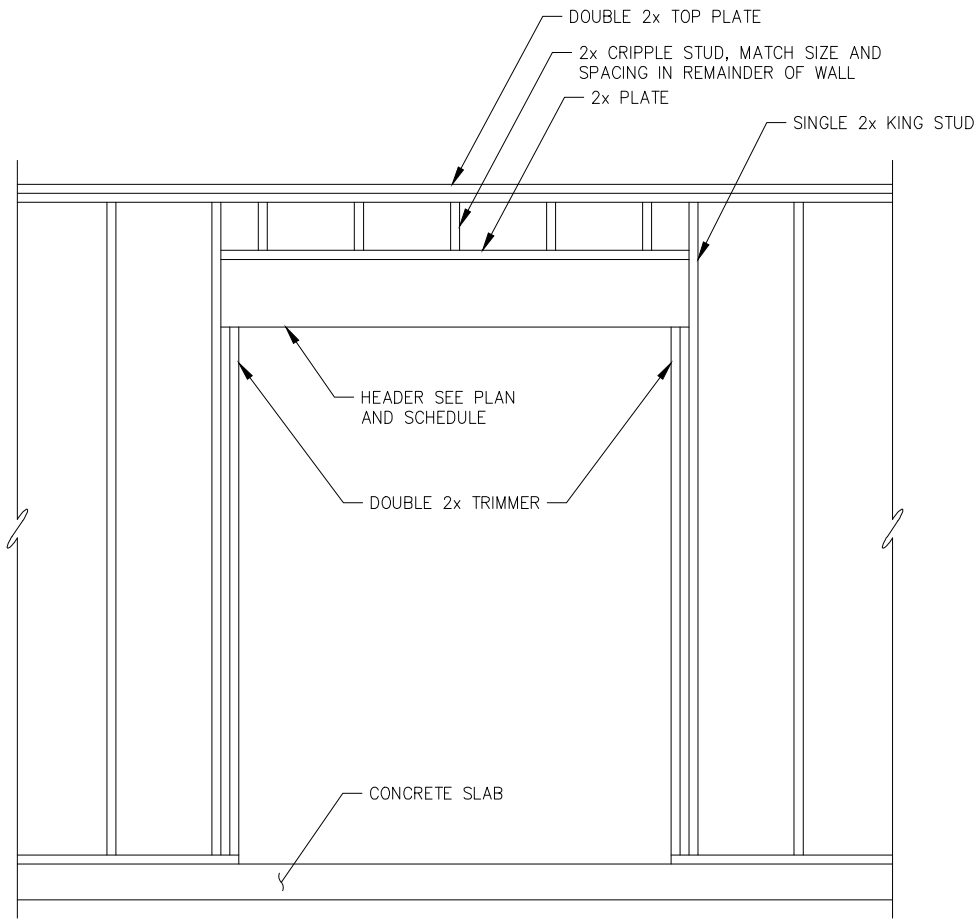
ELEVATION

- NOTES:**
1. PLYWOOD IS SHOWN HORIZONTAL, IT MAY ALSO BE POSITIONED VERTICAL.
 2. STAGGER PLYWOOD JOINTS A MINIMUM OF TWO STUD SPACES.
 3. NAILS AT ABUTTING PLYWOOD EDGES MUST PENETRATE THE SAME PIECE OF FRAMING OR BLOCKING.
 4. SEE TYPICAL WALL ELEVATIONS AND PLANS FOR HOLD DOWNS, STRAPS AND ADDITIONAL BLOCKING.

B TYPICAL SHEAR WALL DETAIL



C TYPICAL SHEAR WALL AND DIAPHRAGM PENETRATION DETAIL



D TYPICAL HEADER DETAIL

BEARING WALL SCHEDULE		
MARK	STUD SIZE	SPACING
①	2x6	1'-4"
②	(2) 2x8	1'-4"
③	(2) 2x8	1'-0"
④	2x8	1'-4"

SHEAR WALL SCHEDULE		
MARK	SHEATHING	PANEL EDGE NAILING
①	5/8" CDX ONE SIDE	10d AT 6
②	15/32 CDX ONE SIDE	10d AT 4
③	15/32 CDX EACH SIDE	10d AT 4

HEADER SCHEDULE	
MARK	SIZE
H1	(3) 2x6 WITH (2) 1/2" PLYWOOD FILLER
H2	(3) 2x12 WITH (2) 1/2" PLYWOOD FILLER

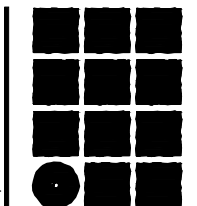
REVISIONS

△	
△	
△	

SHEET TITLE
**TYPICAL TIMBER
 DETAILS**

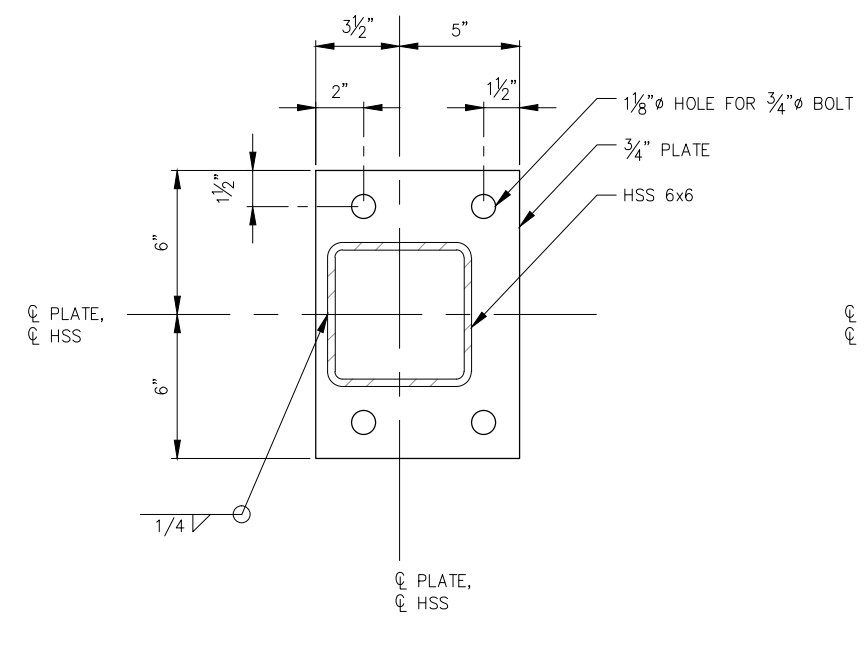
DATE: MARCH, 2016
 FILE: 15034

S002

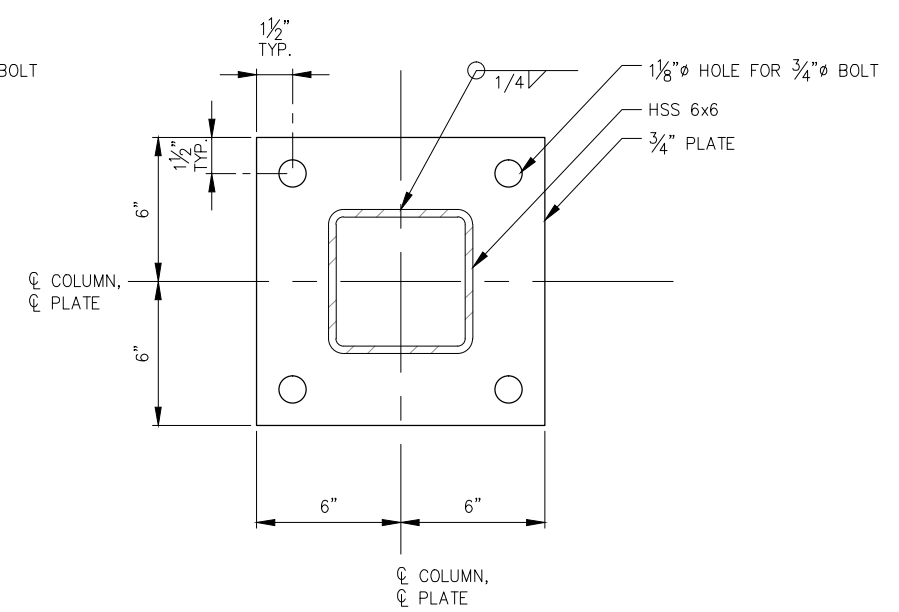


**Jensen
 Yorba
 Lott
 Inc.**

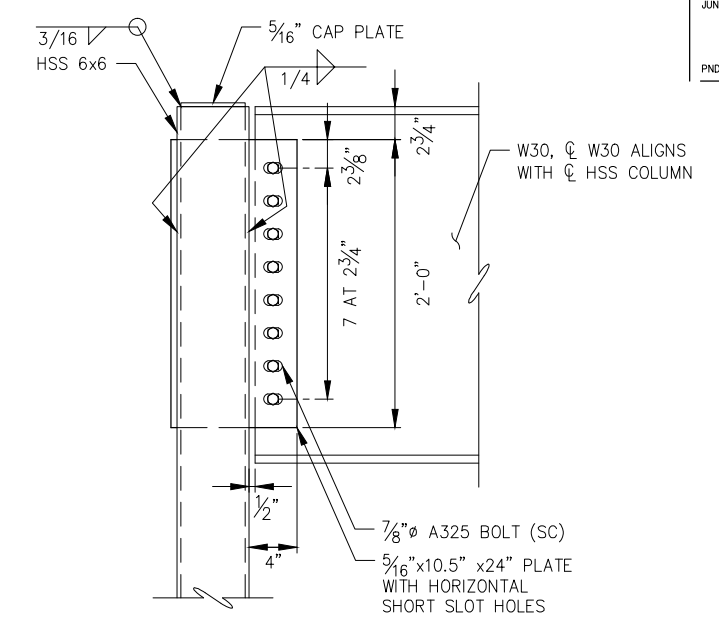
522 West 10th Street
 Juneau, Alaska 99801
 phone 907-586-1070
 fax 907-586-3959
 jensenyorbaltott.com



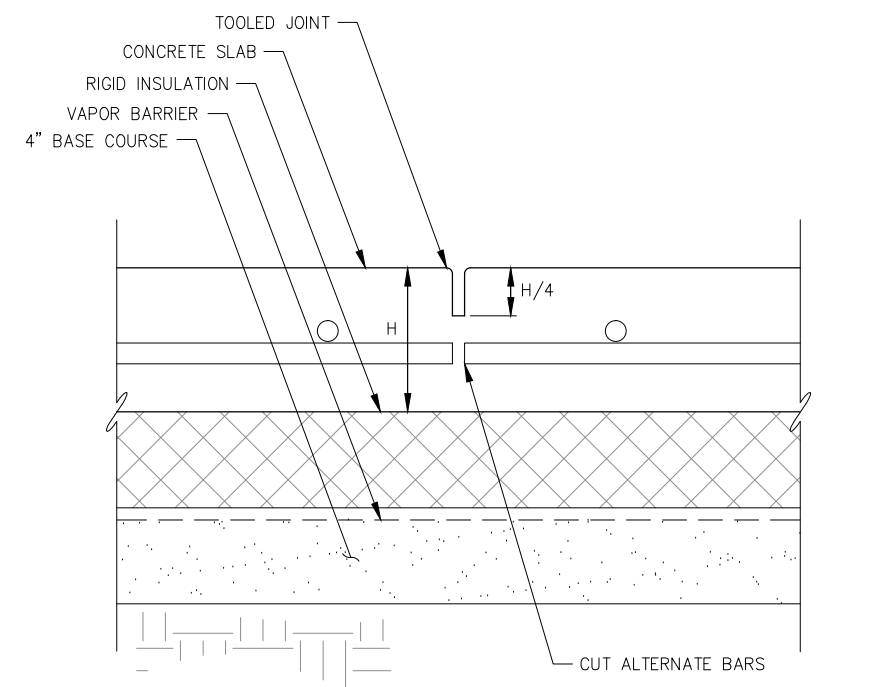
A BASE PLATE TYPE A SCALE: 0 3" 6" 12"



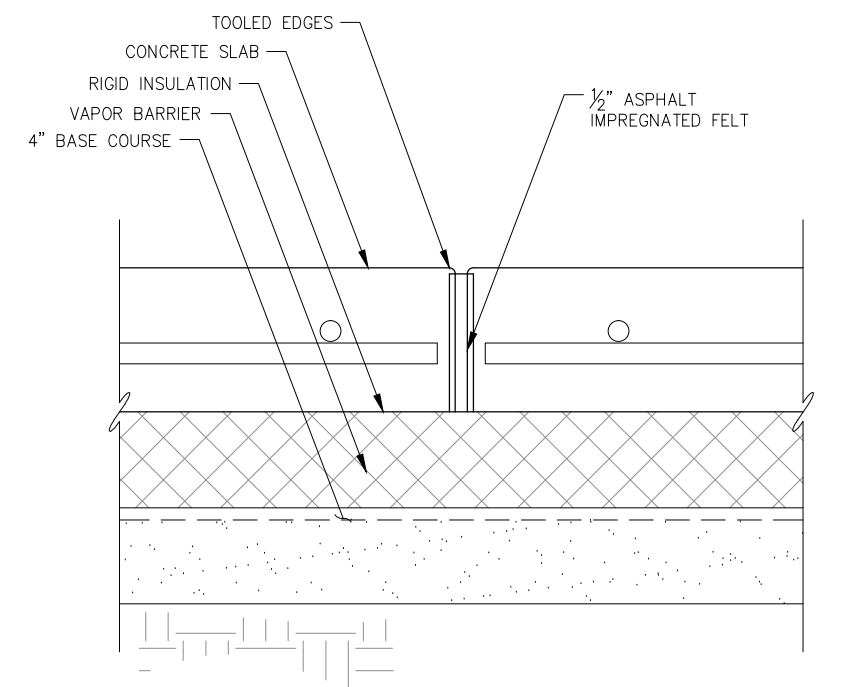
B BASE PLATE TYPE B SCALE: 0 3" 6" 12"



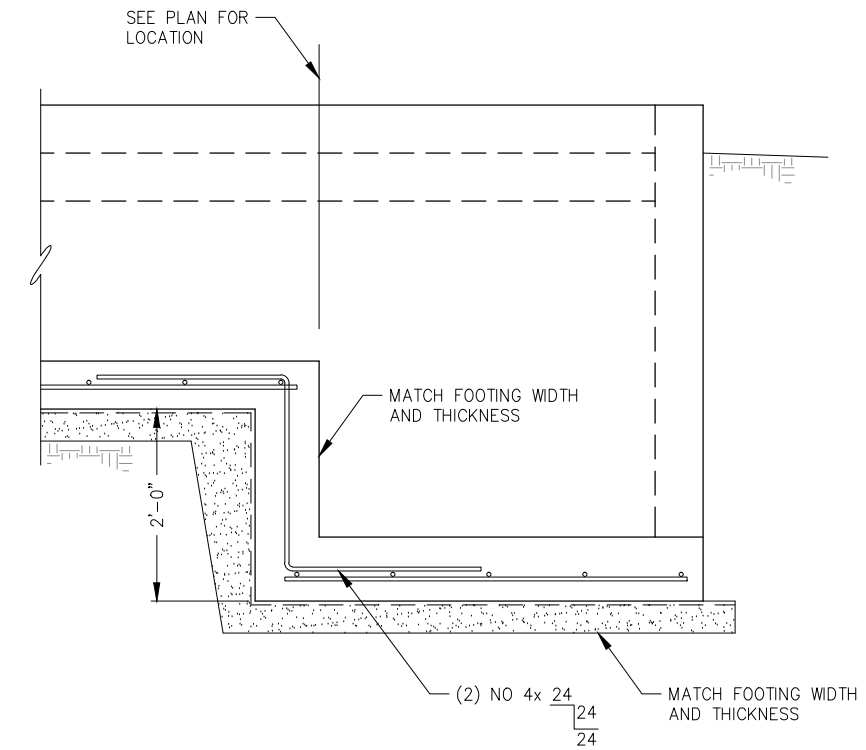
C W30 TO HSS COLUMN SCALE: 0 6" 1' 2'



D TYPICAL CRACK CONTROL JOINT SCALE: 0 3" 6" 12"



E TYPICAL ISOLATION JOINT SCALE: 0 3" 6" 12"



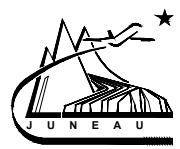
F TYPICAL STEP FOOTING DETAIL SCALE: 0 6" 1' 2'

City and Borough of Juneau
**AIRCRAFT RESCUE & FIRE FIGHTING
 STATION MODIFICATION**
 CBJ Contract No. E16-026
 AJP Contract No. 3-02-0133-XXX-2016
 Juneau International Airport

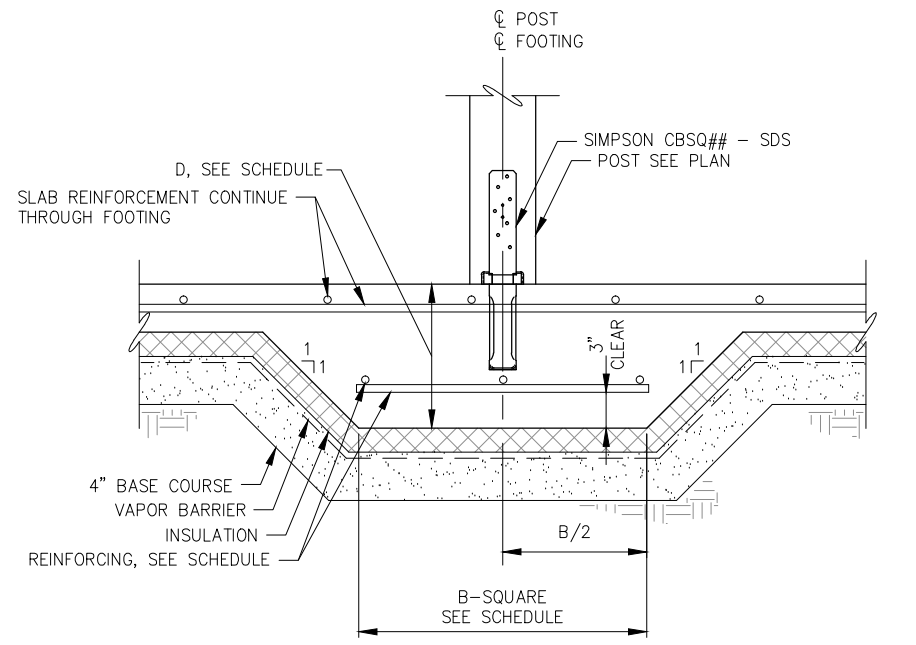
REVISIONS

SHEET TITLE
TYPICAL DETAILS

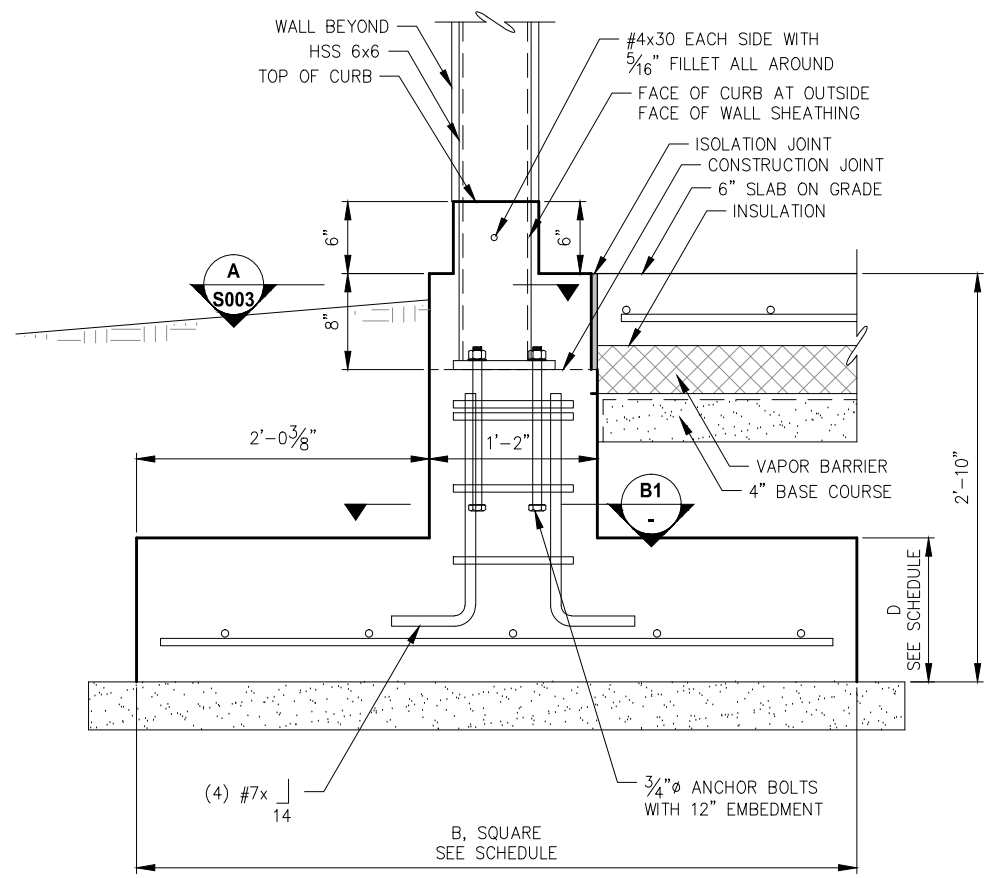
DATE: MARCH, 2016
 FILE: 15034



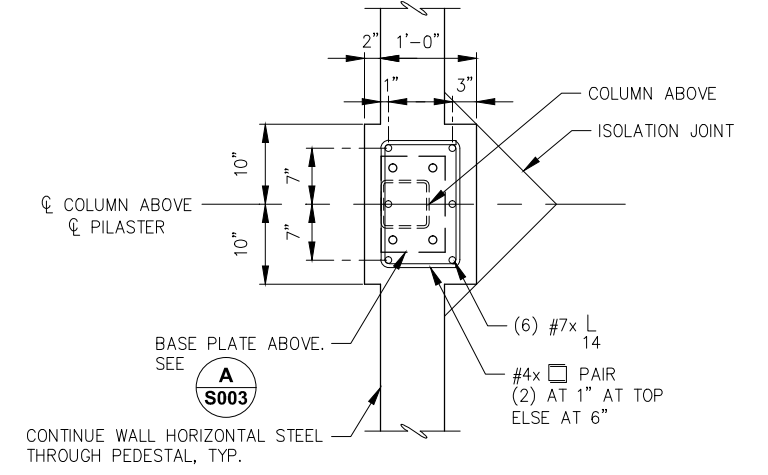
FOOTING SCHEDULE			
MARK	D (INCHES)	B (FEET-INCHES)	REINFORCING
①	12	2'-0"	(2) #5 EACH WAY
②	12	3'-0"	(3) #5 EACH WAY
③	12	5'-0"	(5) #5 EACH WAY
④	24	5'-5"	(5) #5 EACH WAY TOP AND BOTTOM



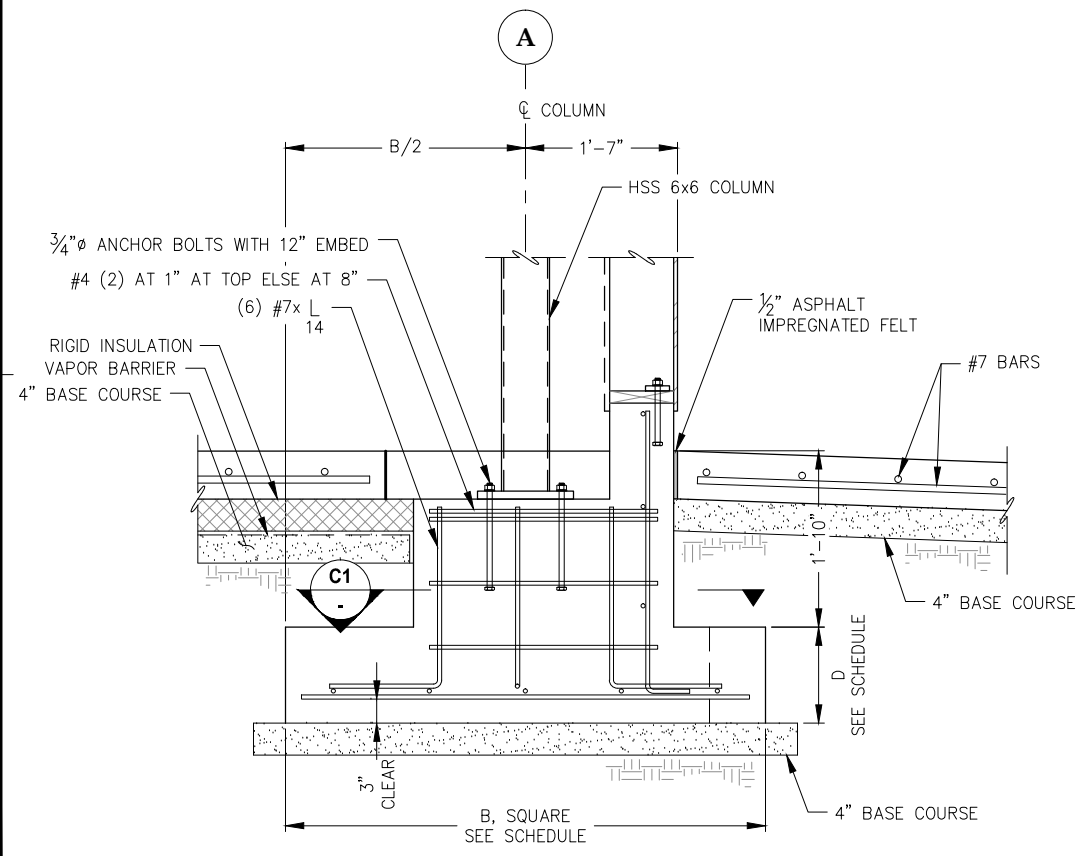
A TYPICAL INTERIOR FOOTING DETAIL SCALE: 0 6" 1' 2'



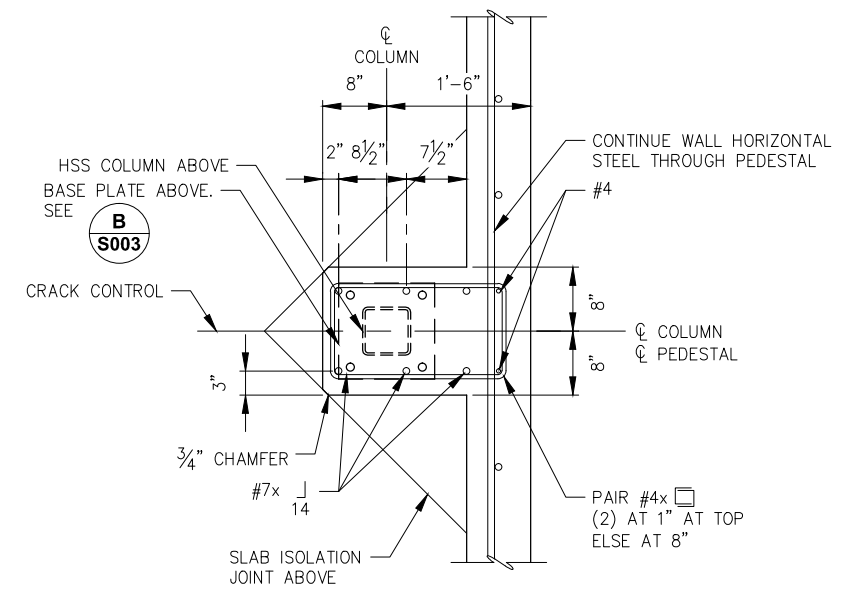
B FOOTING DETAIL AT COLUMN IN WALL SCALE: 0 6" 1' 2'



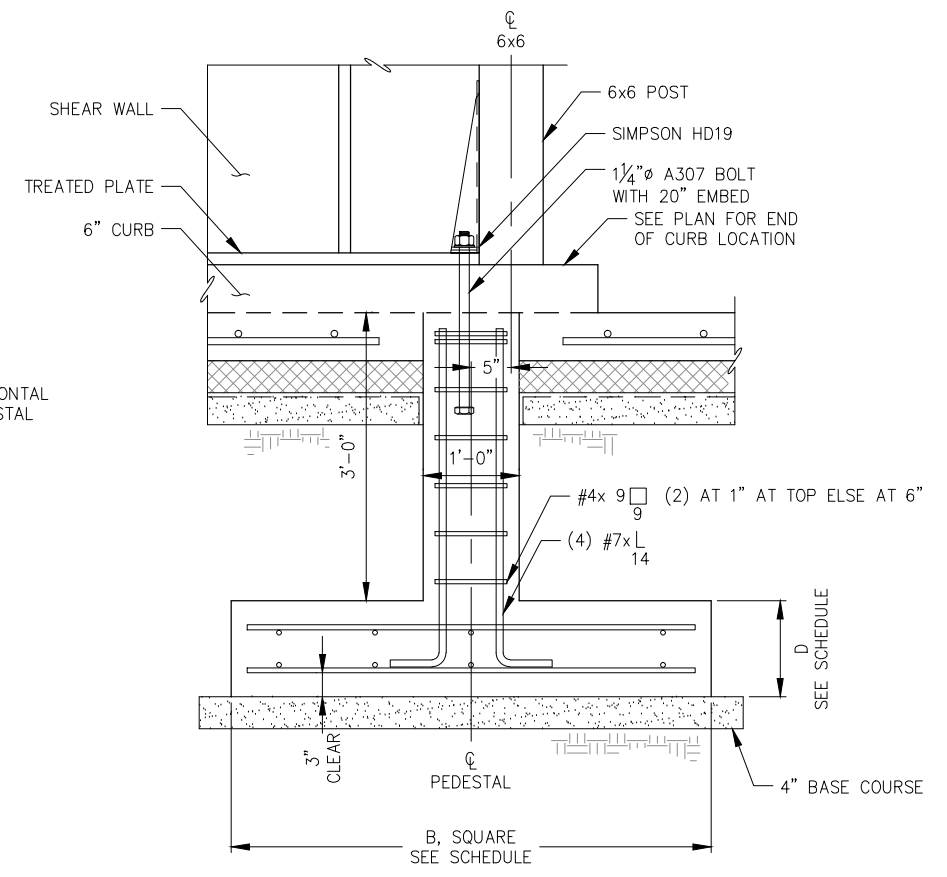
B1 PEDESTAL SECTION SCALE: 0 6" 1' 2'



C COLUMN PEDESTAL AND FOOTING DETAIL SCALE: 0 6" 1' 2'



C1 PEDESTAL SECTION SCALE: 0 6" 1' 2'



D FOOTING AT HOLD DOWN SCALE: 0 6" 1' 2'



**Jensen
Yorba
Lott
Inc.**

522 West 10th Street
 Juneau, Alaska 99801
 phone 907-586-1070
 fax 907-586-3959
 jensenyorbaltott.com



**City and Borough of Juneau
 AIRCRAFT RESCUE & FIRE FIGHTING
 STATION MODIFICATION
 CBJ Contract No. E16-026
 AJP Contract No. 3-02-0133-XXX-2016
 Juneau International Airport**

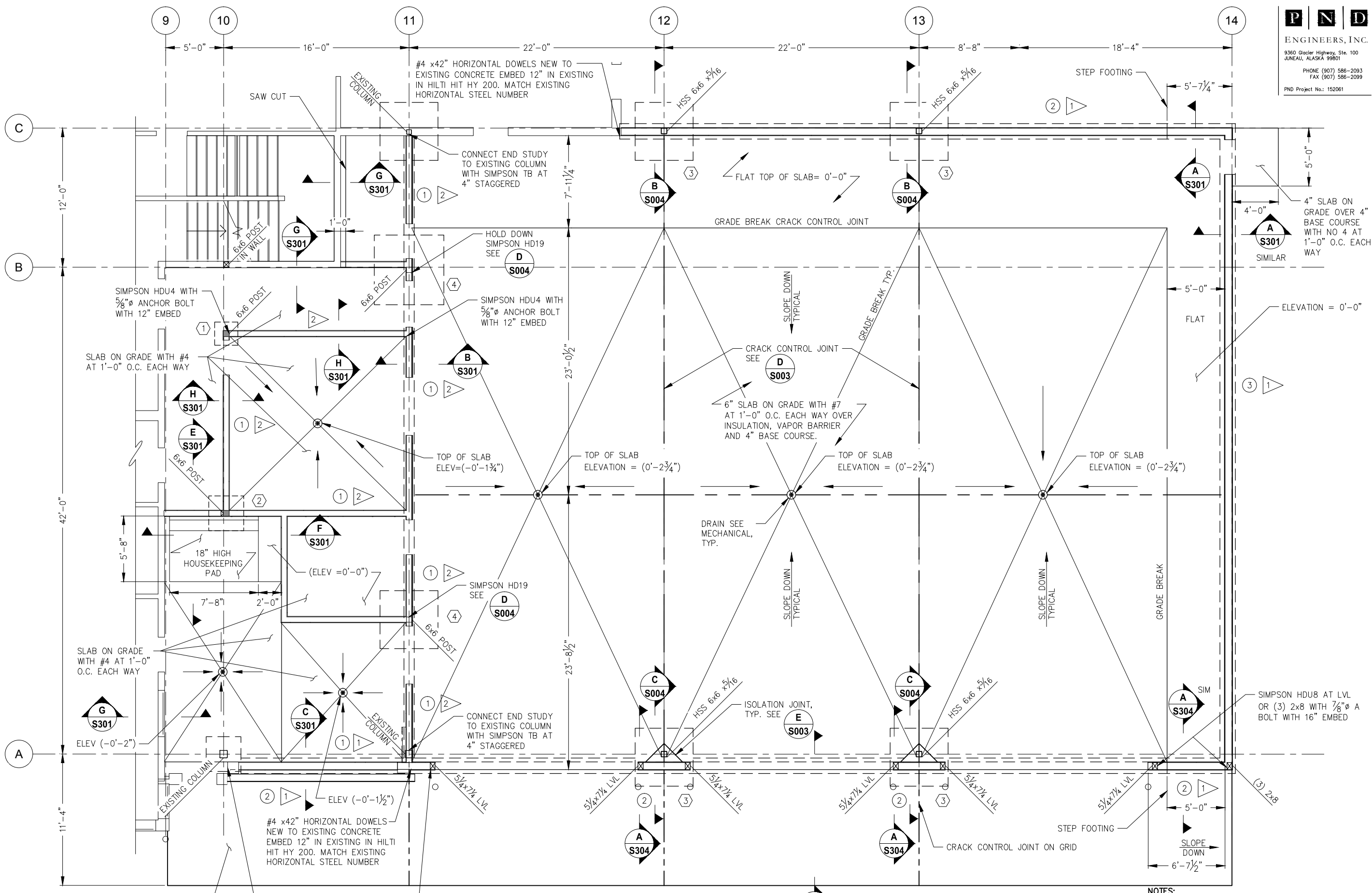
REVISIONS

1	
2	
3	

SHEET TITLE
**FOUNDATION
 AND FIRST
 FLOOR FRAMING
 PLAN**

DATE: MARCH, 2016
 FILE: 15034

S201



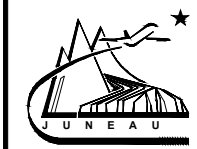
6" THICK EXTERIOR CONCRETE APRON WITH #7 AT 1'-0" O.C. EACH WAY OVER 4" BASE COURSE

SIMPSON HDU8 IN (3) 2x FULL HEIGHT STUDS OR LVL WITH 7/8" Ø A BOLT WITH 16" EMBEDMENT

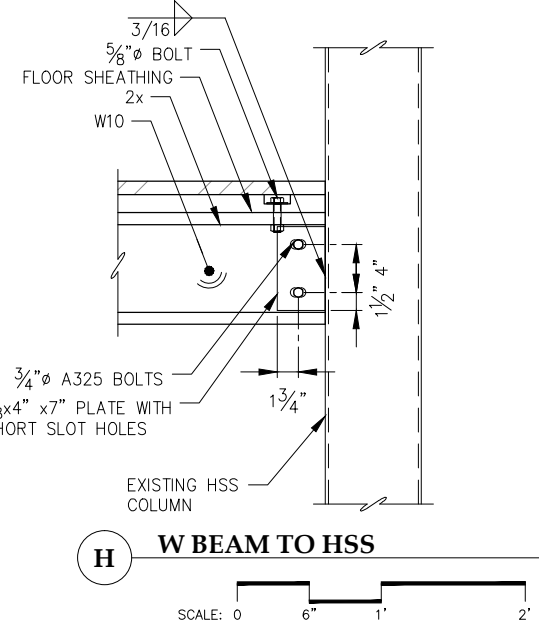
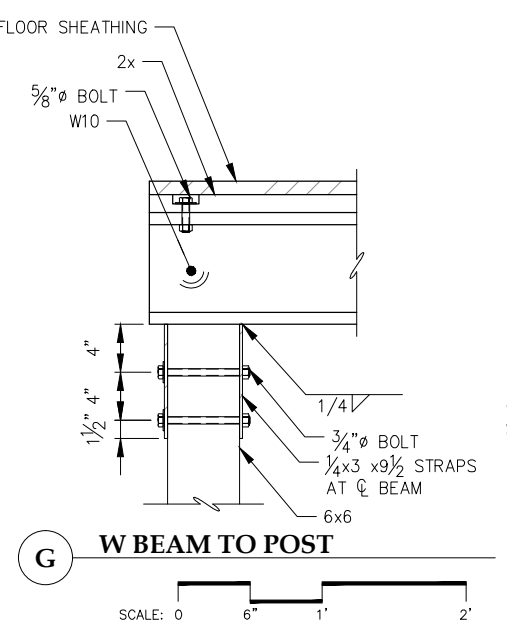
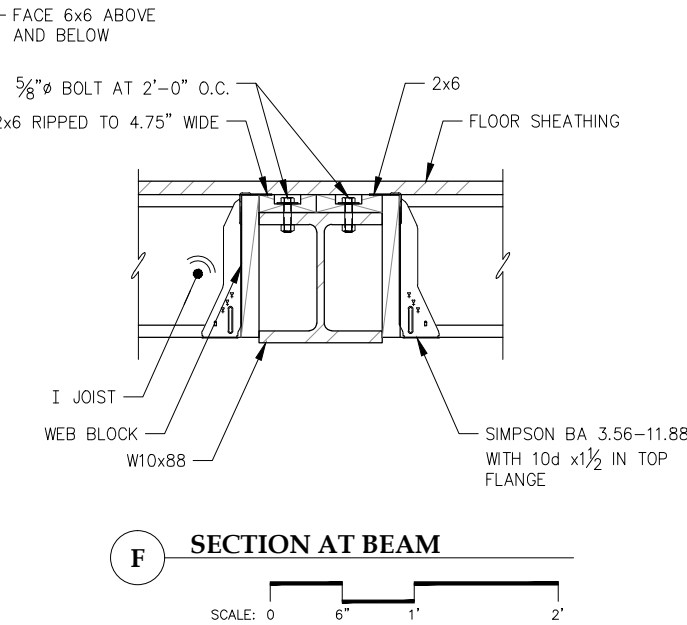
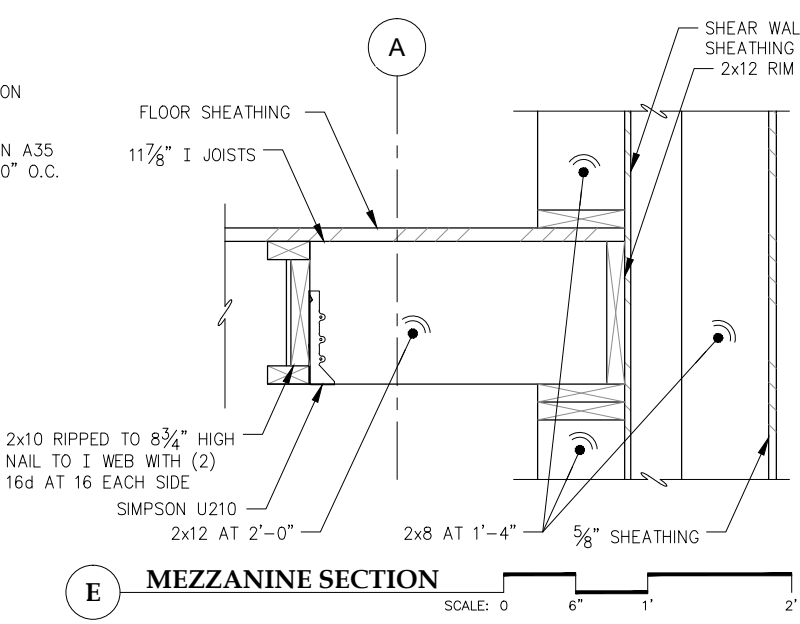
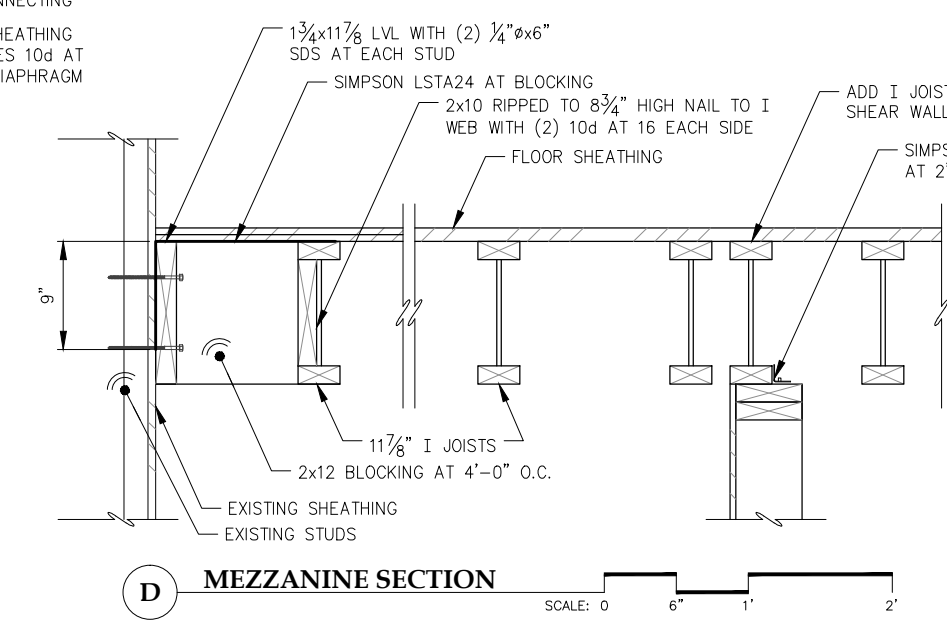
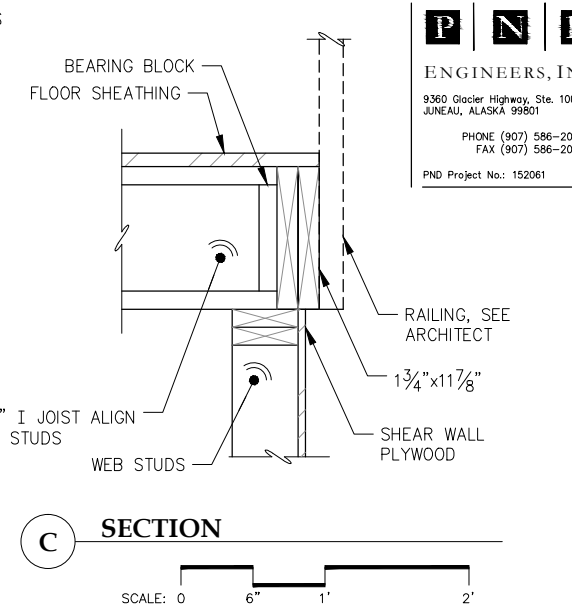
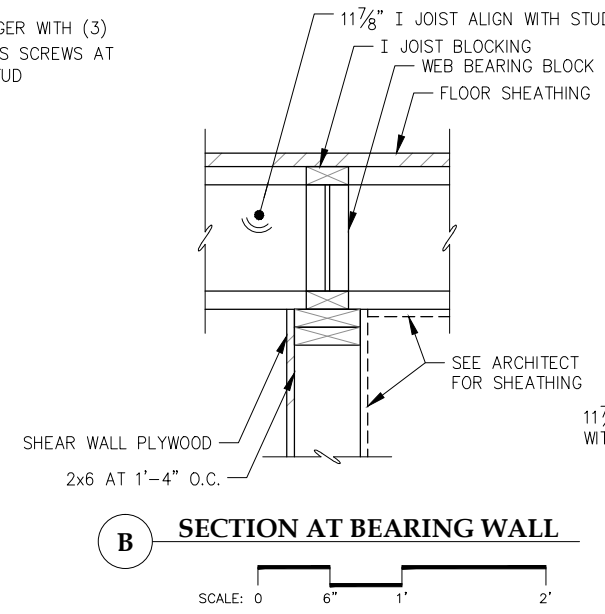
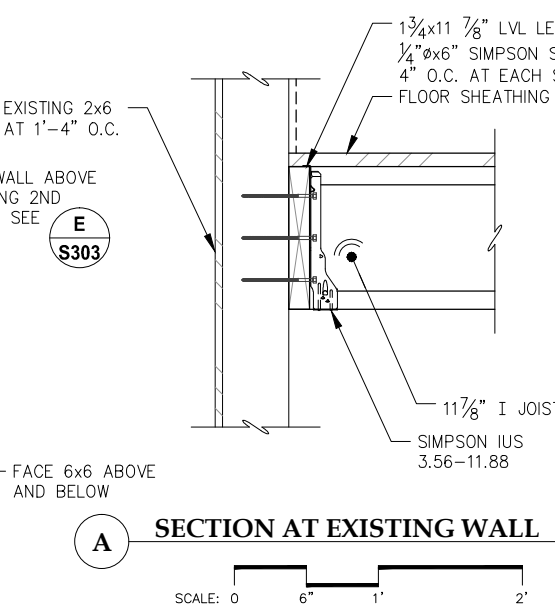
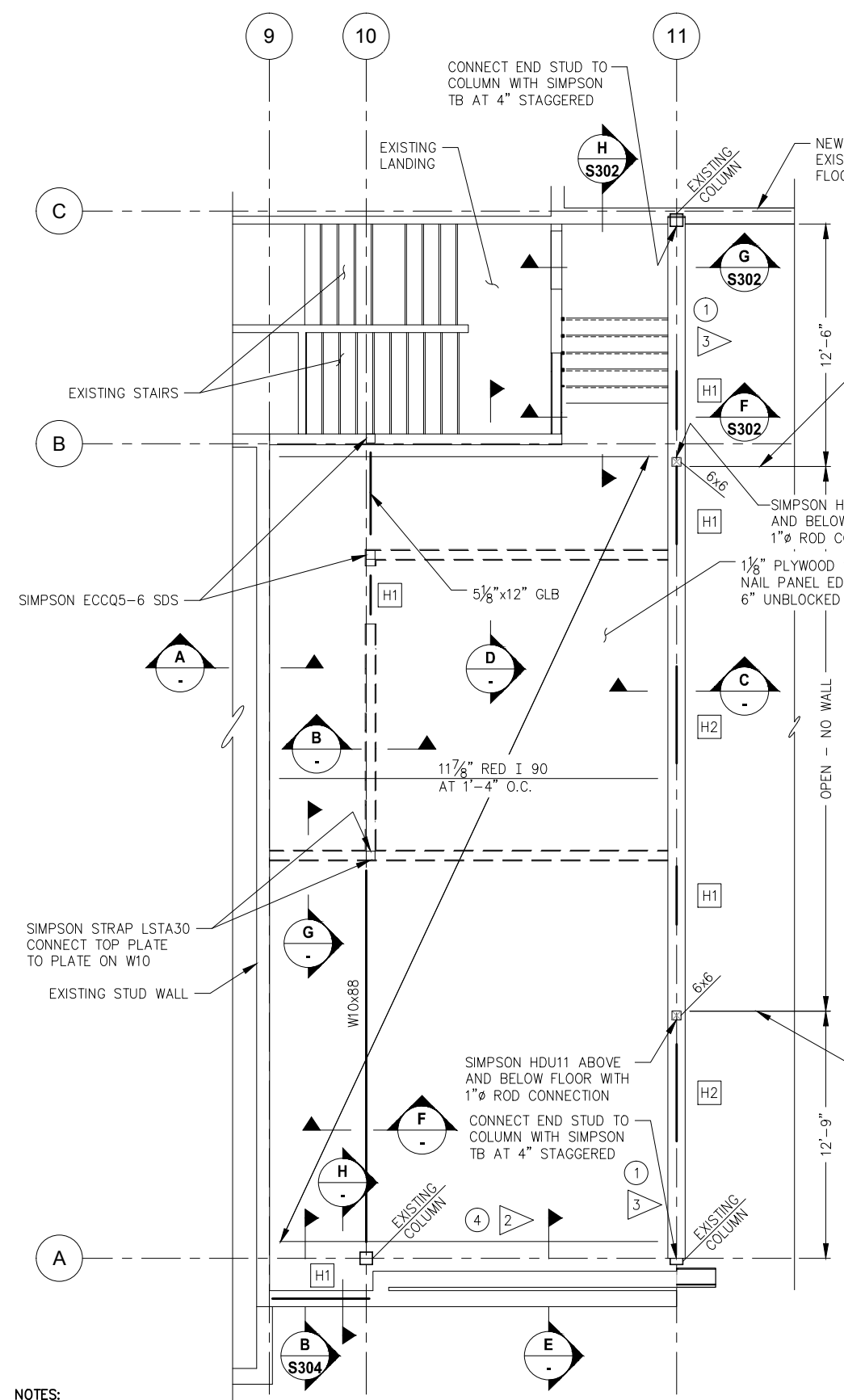
1 FOUNDATION AND FIRST FLOOR FRAMING PLAN SCALE: 0 2' 4' 8'



- NOTES:**
1. # INDICATES BEARING WALL TYPE. SEE SCHEDULE AND DETAILS.
 2. # INDICATES SHEAR WALL TYPE. SEE SCHEDULE AND DETAILS.
 3. # INDICATES FOOTING TYPE. SEE DETAILS.



City and Borough of Juneau
AIRCRAFT RESCUE & FIRE FIGHTING
STATION MODIFICATION
 CBJ Contract No. E16-026
 AIP Contract No. 3-02-0133-XXX-2016
 Juneau International Airport



- NOTES:**
1. # INDICATES BEARING WALL TYPE. SEE SCHEDULE AND DETAILS.
 2. # INDICATES SHEAR WALL TYPE. SEE SCHEDULE AND DETAILS.
 3. # INDICATES FOOTING TYPE. SEE DETAILS.
 4. # INDICATES HEADER TYP. SEE SCHEDULE AND TYPICAL DETAIL.

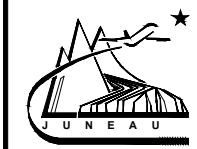


REVISIONS

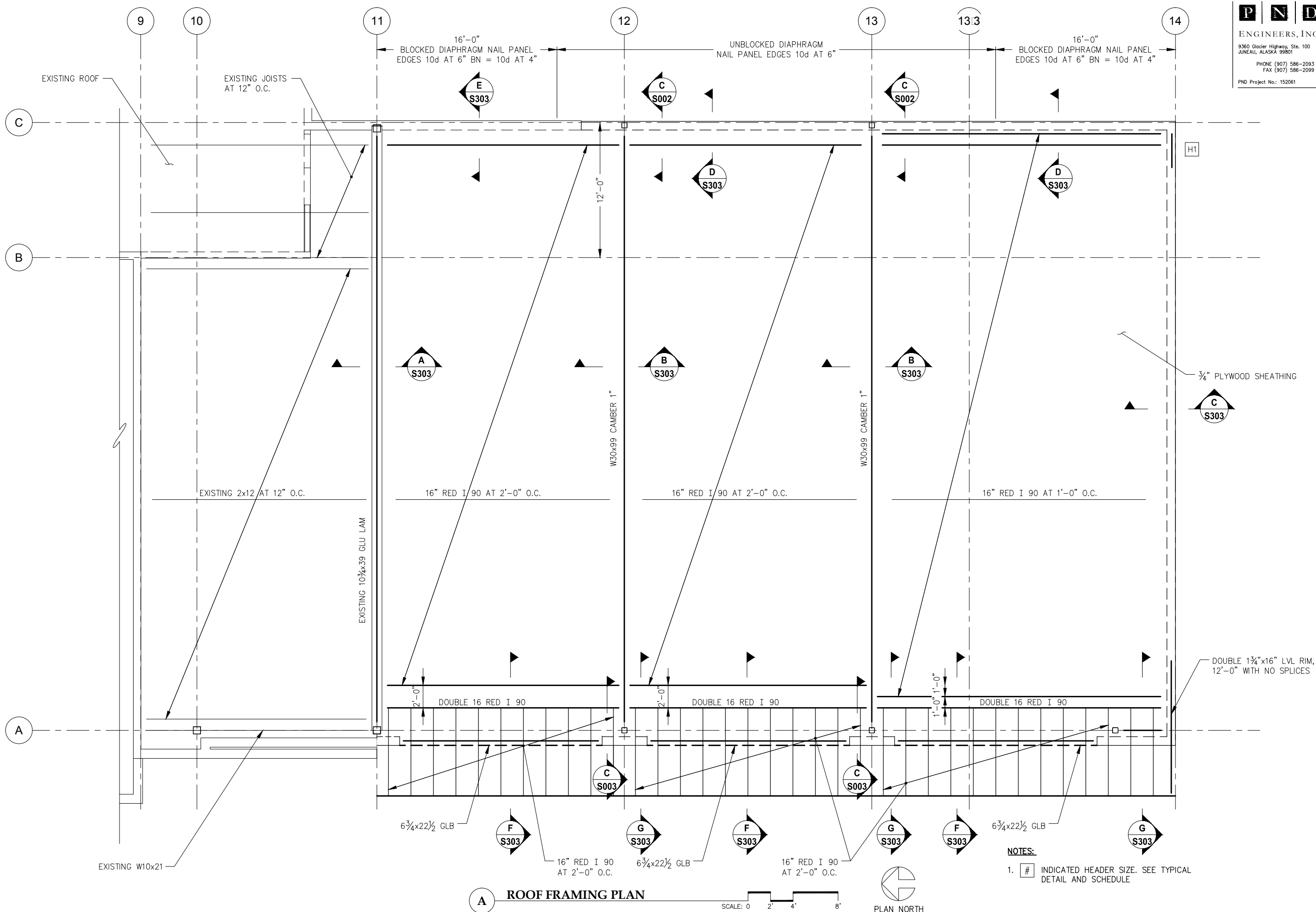
1	
2	
3	

SHEET TITLE
2ND FLOOR FRAMING PLAN

DATE: MARCH, 2016
 FILE: 15034



City and Borough of Juneau
AIRCRAFT RESCUE & FIRE FIGHTING
STATION MODIFICATION
 CBJ Contract No. E16-026
 AJP Contract No. 3-02-0133-XXX-2016
 Juneau International Airport



- NOTES:**
- # INDICATED HEADER SIZE. SEE TYPICAL DETAIL AND SCHEDULE

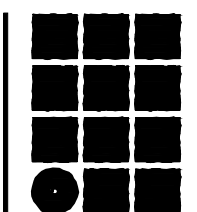
A ROOF FRAMING PLAN
 SCALE: 0 2' 4' 8'
 PLAN NORTH

REVISIONS

1	
2	
3	

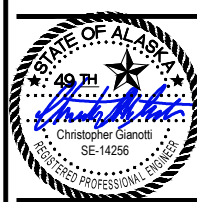
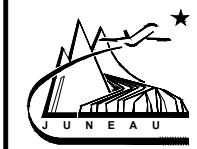
SHEET TITLE
ROOF FRAMING PLAN

DATE: MARCH, 2016
 FILE: 15034

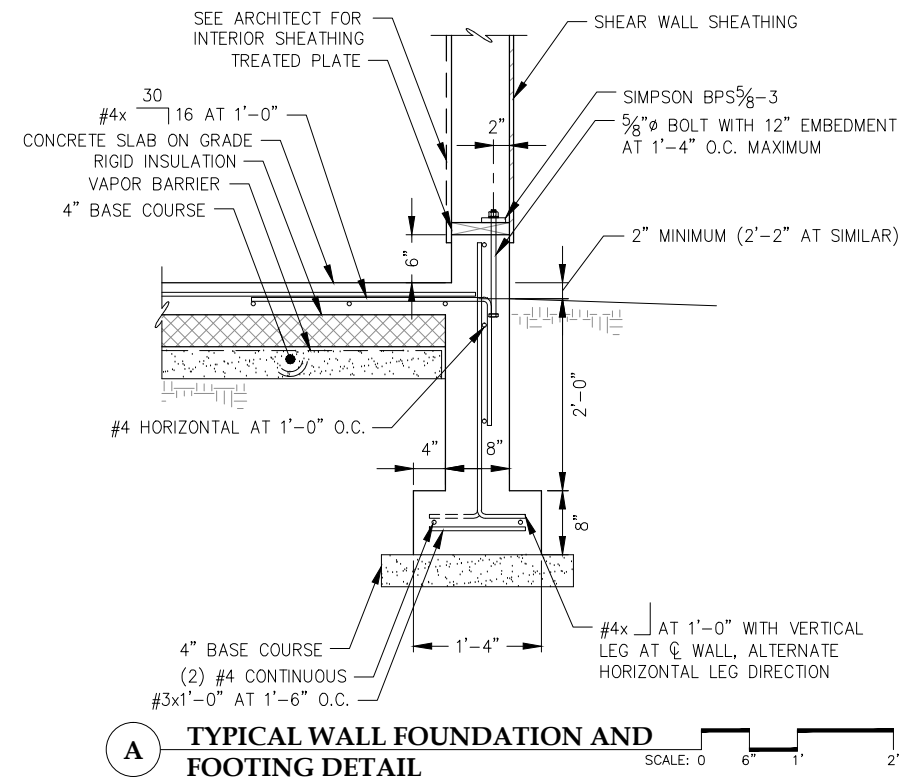


**Jensen
 Yorba
 Lott
 Inc.**

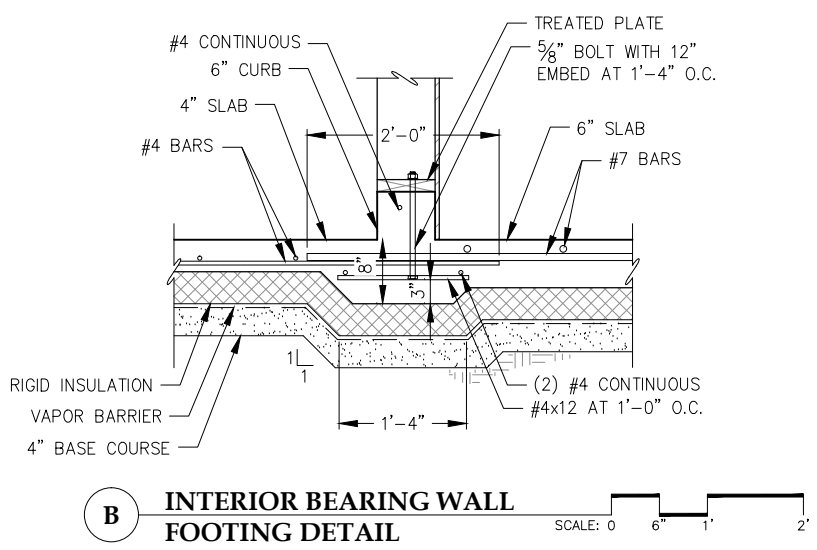
522 West 10th Street
 Juneau, Alaska 99801
 phone 907-586-1070
 fax 907-586-3959
 jensenyorbaltott.com



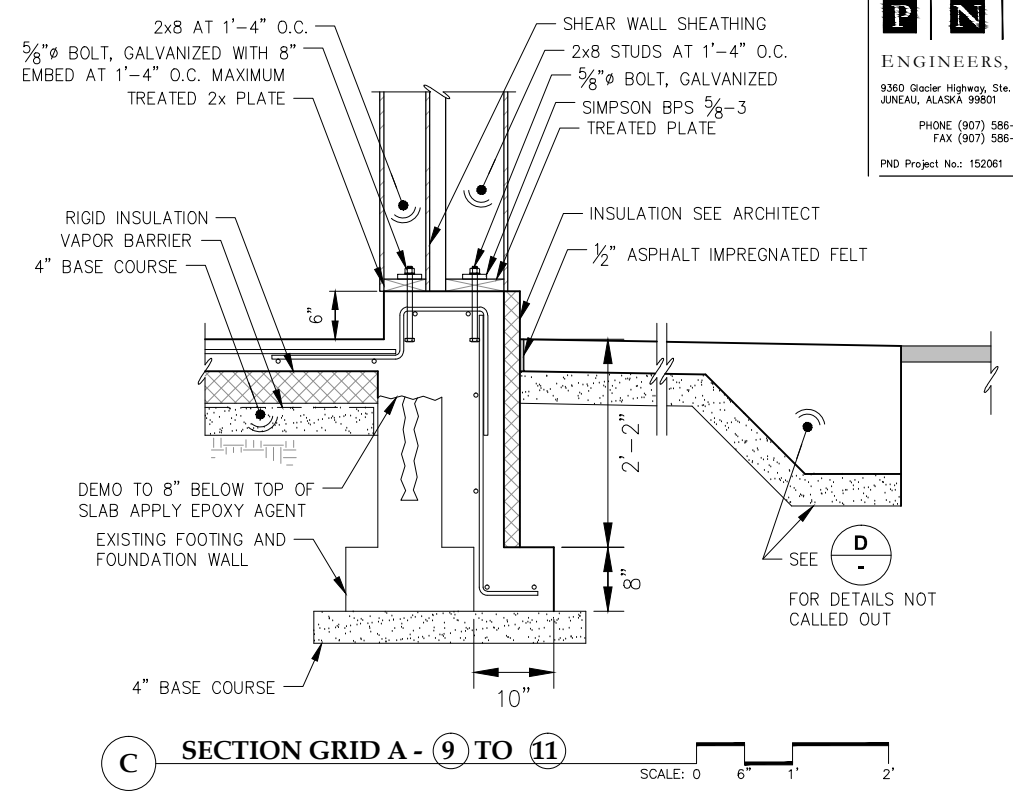
**City and Borough of Juneau
 AIRCRAFT RESCUE & FIRE FIGHTING
 STATION MODIFICATION**
 CBJ Contract No. E16-026
 AJP Contract No. 3-02-0133-XXX-2016
 Juneau International Airport



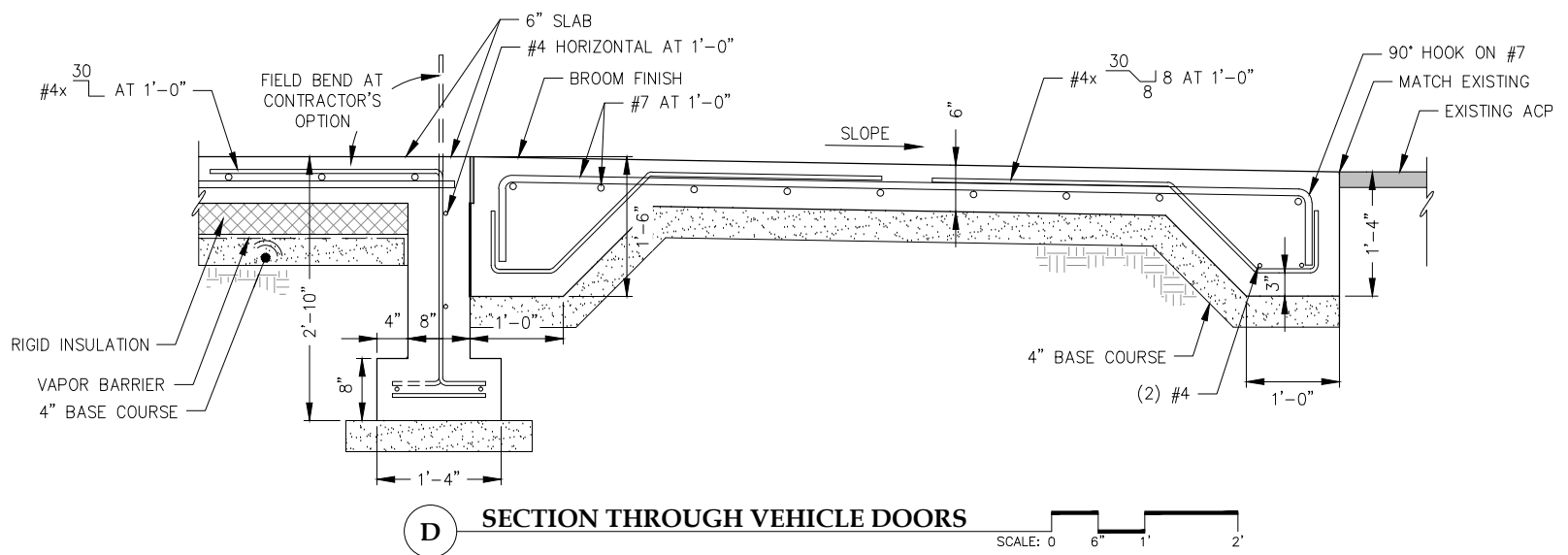
A TYPICAL WALL FOUNDATION AND FOOTING DETAIL SCALE: 0 6" 1' 2'



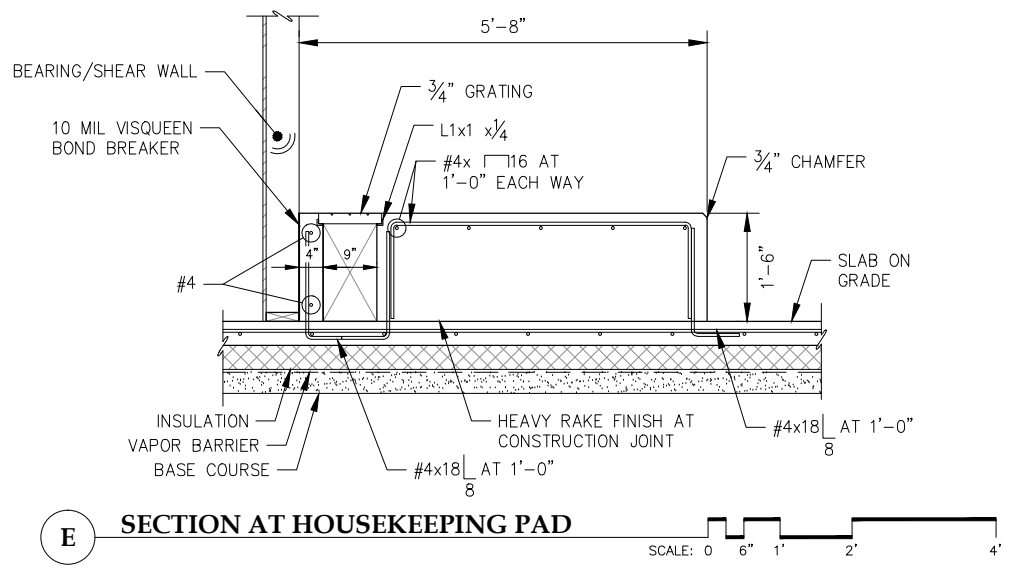
B INTERIOR BEARING WALL FOOTING DETAIL SCALE: 0 6" 1' 2'



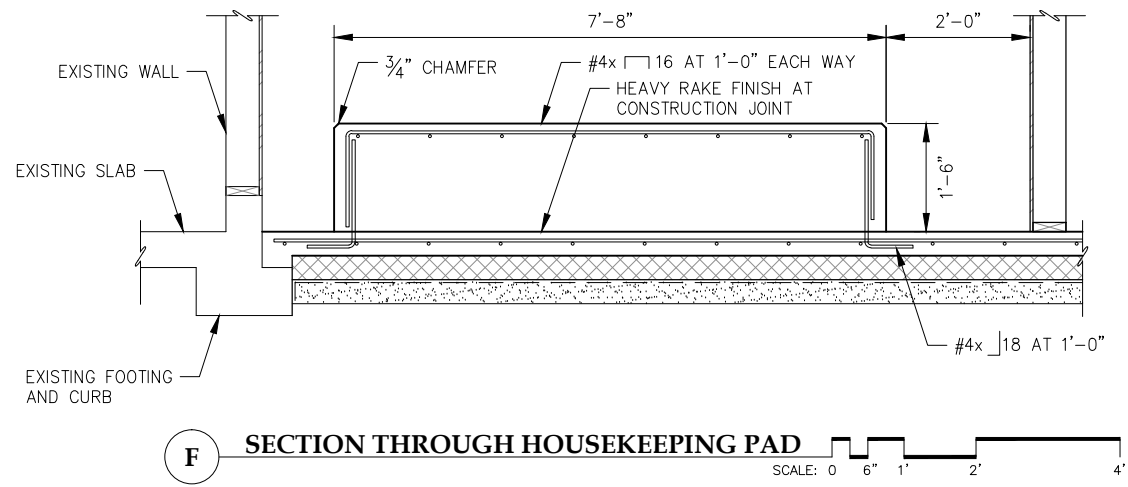
C SECTION GRID A - 9 TO 11 SCALE: 0 6" 1' 2'



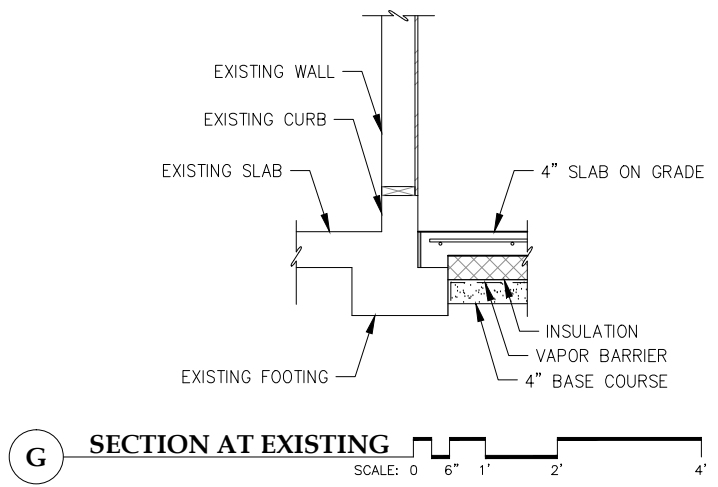
D SECTION THROUGH VEHICLE DOORS SCALE: 0 6" 1' 2'



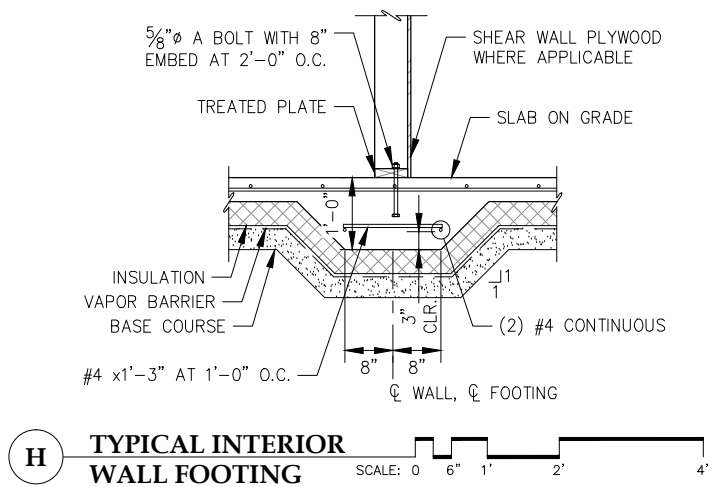
E SECTION AT HOUSEKEEPING PAD SCALE: 0 6" 1' 2' 4'



F SECTION THROUGH HOUSEKEEPING PAD SCALE: 0 6" 1' 2' 4'



G SECTION AT EXISTING SCALE: 0 6" 1' 2' 4'



H TYPICAL INTERIOR WALL FOOTING SCALE: 0 6" 1' 2' 4'

REVISIONS	
△	
△	
△	

SHEET TITLE
FOUNDATION SECTIONS AND DETAILS

DATE: MARCH, 2016
 FILE: 15034

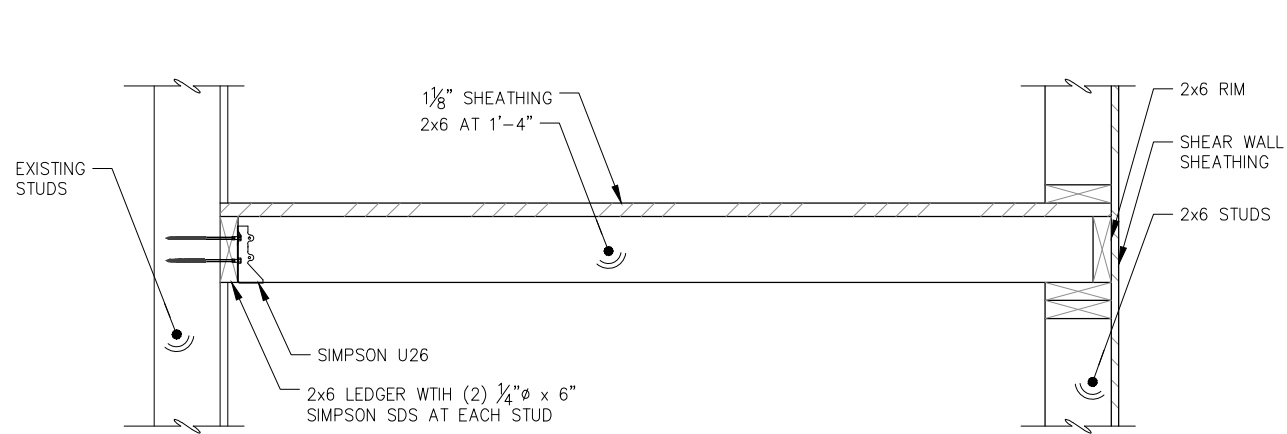


**Jensen
 Yorba
 Lott
 Inc.**

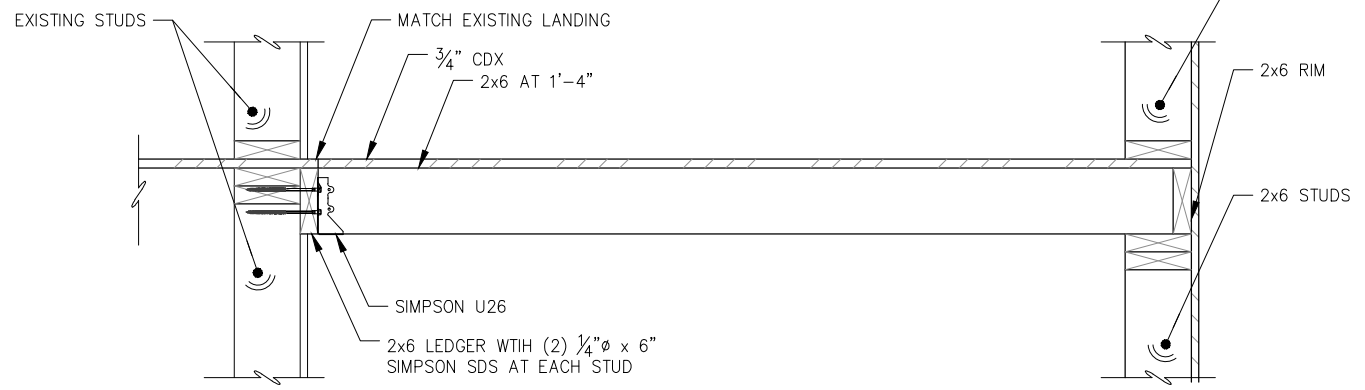
522 West 10th Street
 Juneau, Alaska 99801
 phone 907-586-1070
 fax 907-586-3959
 jensenyorbalott.com



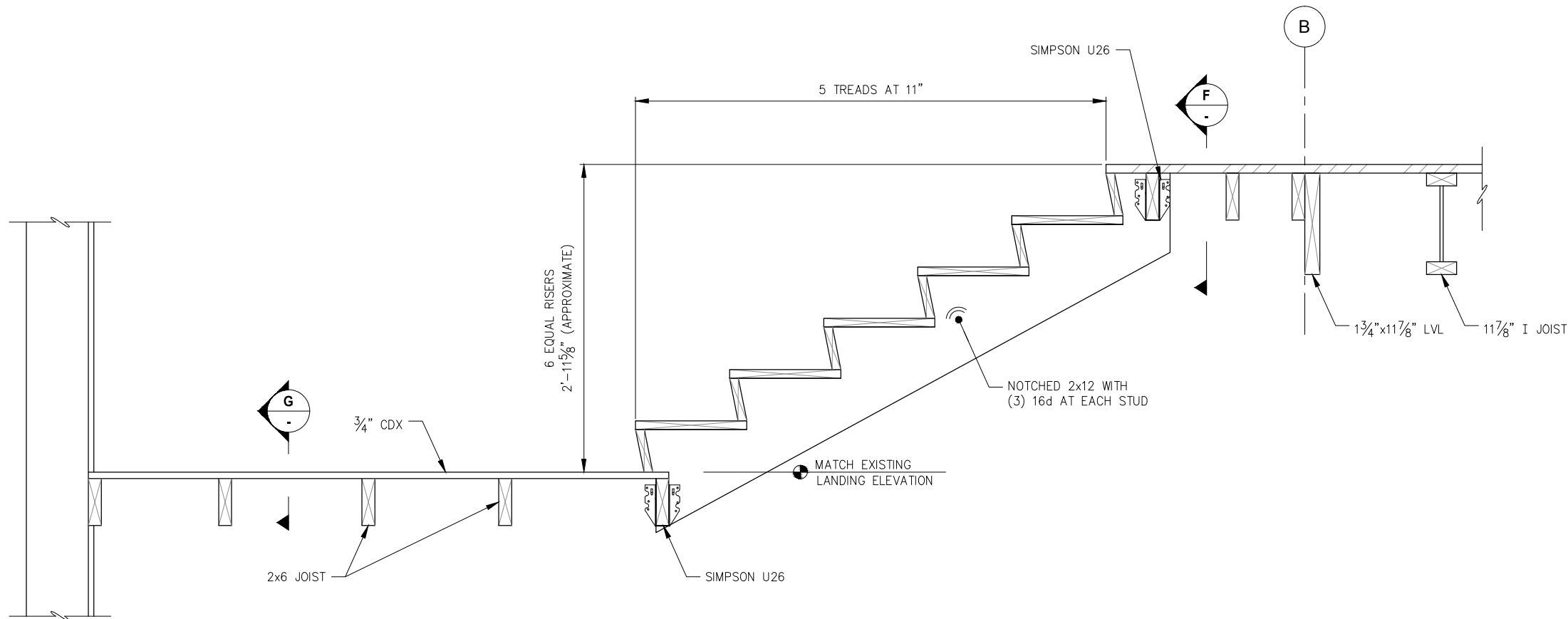
City and Borough of Juneau
**AIRCRAFT RESCUE & FIRE FIGHTING
 STATION MODIFICATION**
 CBJ Contract No. E16-026
 AJP Contract No. 3-02-0133-XXX-2016
 Juneau International Airport



F SECTION AT UPPER STAIR LANDING
 SCALE: 0 6" 1' 2'



G SECTION AT EXISTING LANDING
 SCALE: 0 6" 1' 2'

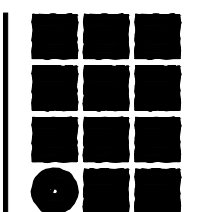


H STAIR SECTION
 SCALE: 0 6" 1' 2'

REVISIONS

△	
△	
△	

SHEET TITLE
**FOUNDATION
 AND 2ND FLOOR
 SECTIONS AND
 DETAILS**
 DATE: MARCH, 2016
 FILE: 15034

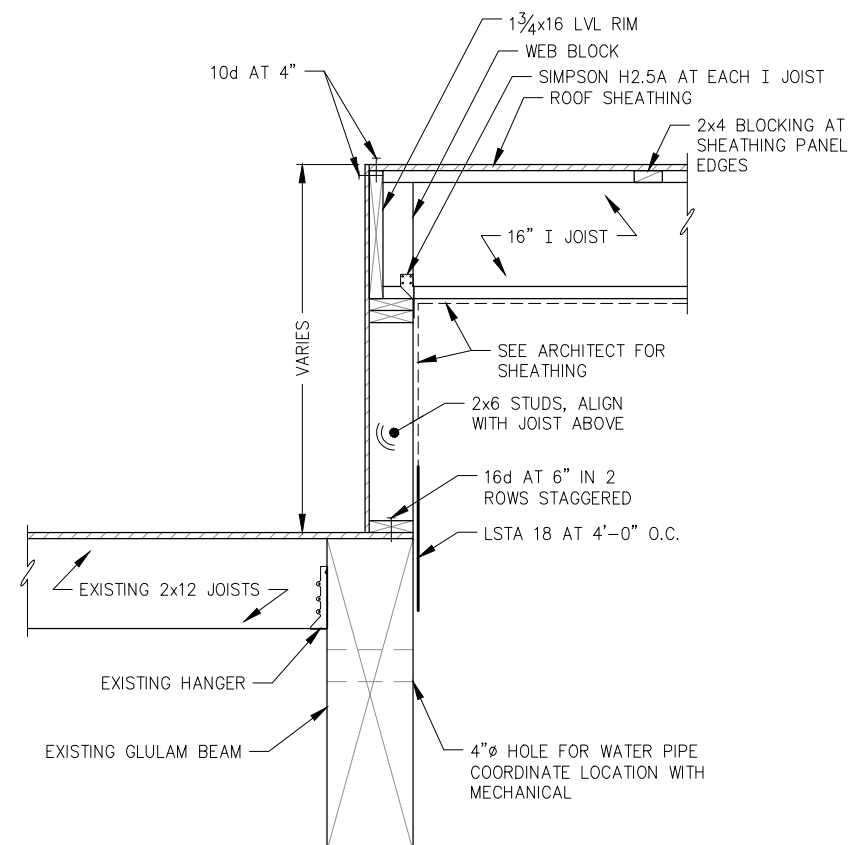


**Jensen
Yorba
Lott
Inc.**

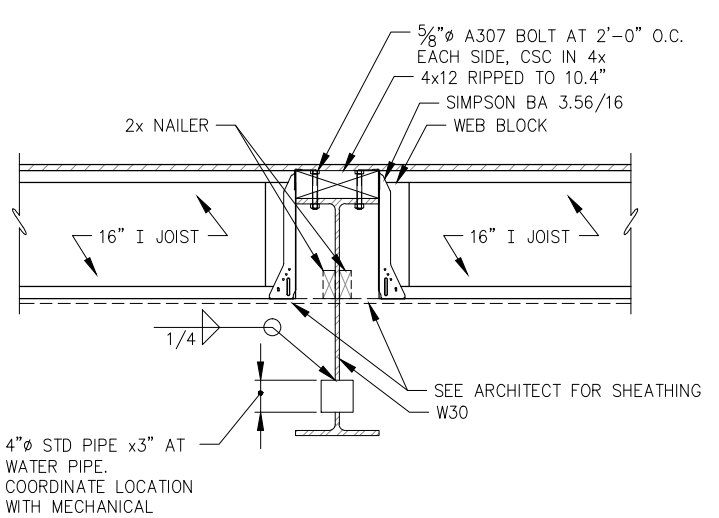
522 West 10th Street
 Juneau, Alaska 99801
 phone 907-586-1070
 fax 907-586-3959
 jensenyorbalott.com



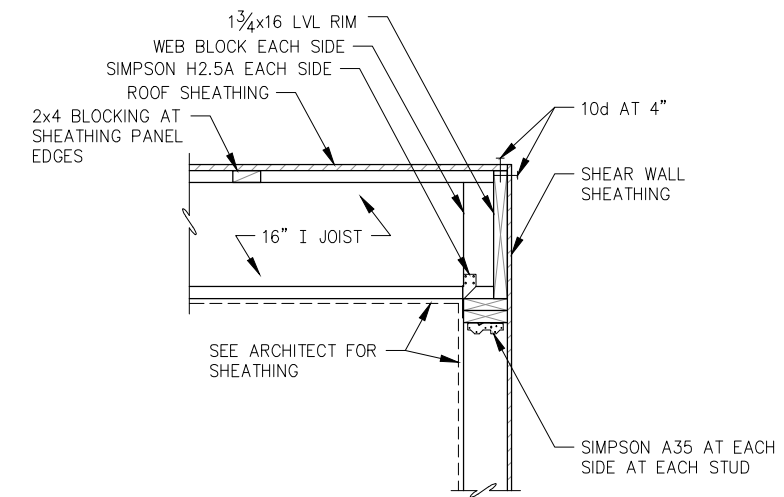
City and Borough of Juneau
**AIRCRAFT RESCUE & FIRE FIGHTING
 STATION MODIFICATION**
 CBJ Contract No. E16-026
 AJP Contract No. 3-02-0133-XXX-2016
 Juneau International Airport



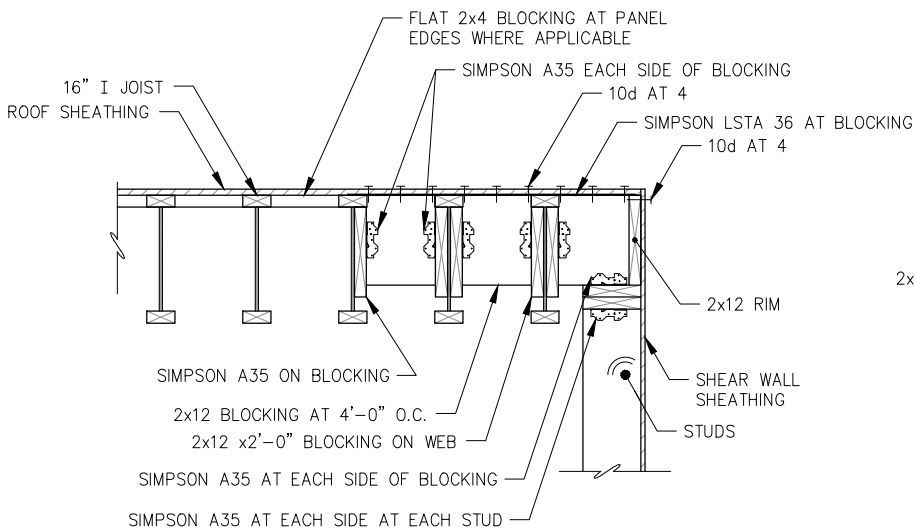
A SECTION AT EXISTING ROOF
 SCALE: 0 6" 1' 2'



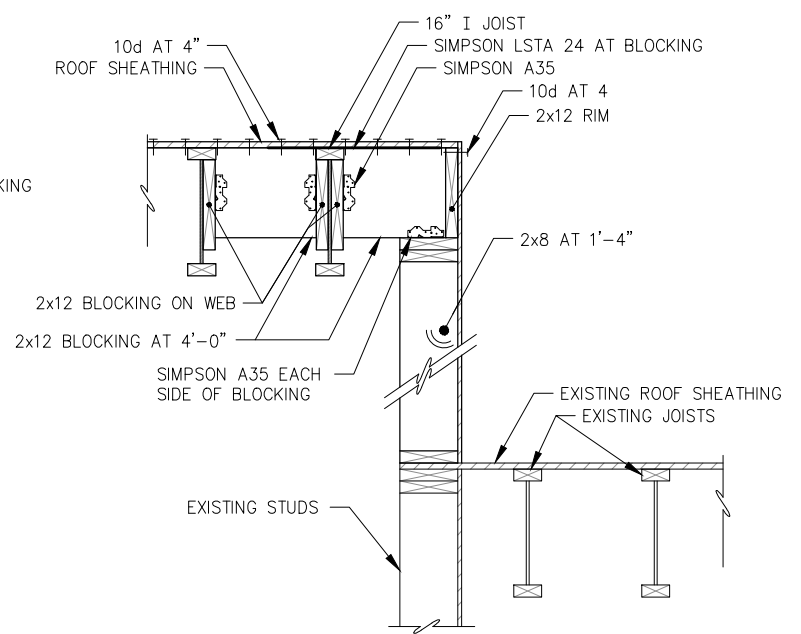
B SECTION AT W30 GIRDER
 SCALE: 0 6" 1' 2'



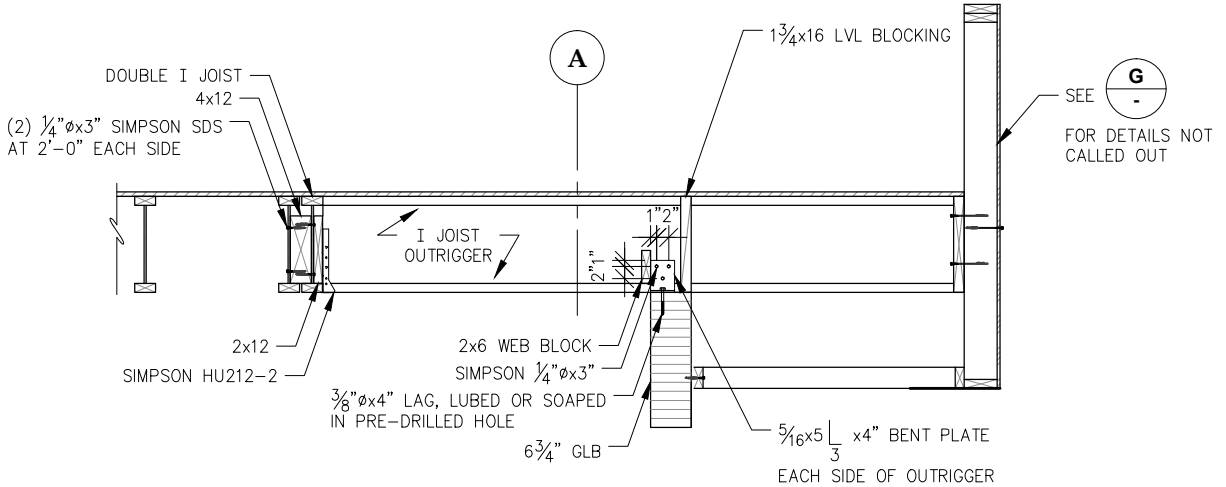
C SECTION AT SOUTH WALL
 SCALE: 0 6" 1' 2'



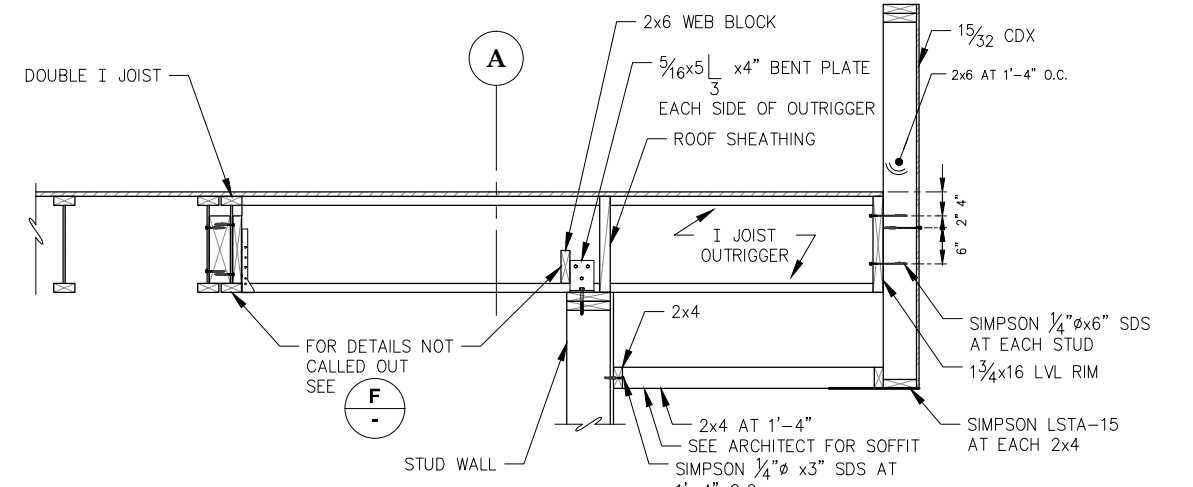
D SECTION AT EAST WALL
 SCALE: 0 6" 1' 2'



E SECTION AT LOW ROOF
 SCALE: 0 6" 1' 2'



F SECTION ABOVE BAY DOORS
 SCALE: 0 6" 1' 2' 4'



G SECTION BETWEEN BAY DOORS
 SCALE: 0 6" 1' 2' 4'

REVISIONS

1	
2	
3	

SHEET TITLE
**FOUNDATION
 SECTIONS AND
 DETAILS**
 DATE: MARCH, 2016
 FILE: 15034

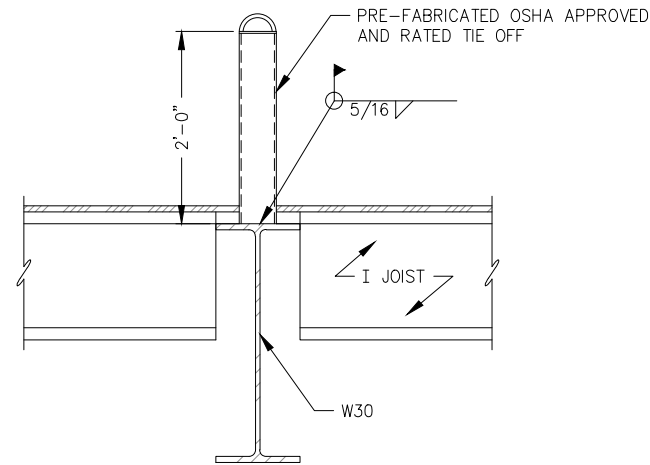


**Jensen
 Yorba
 Lott
 Inc.**

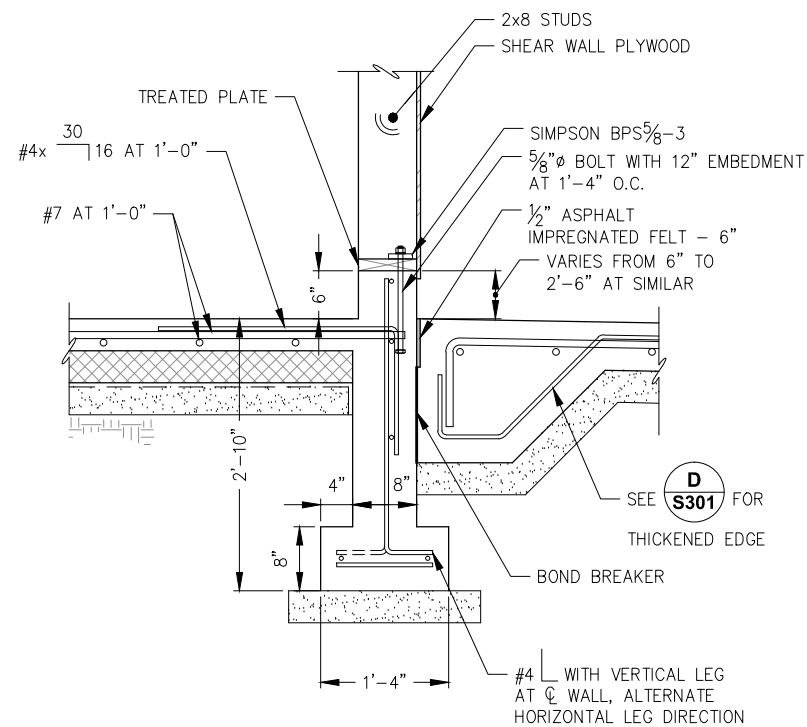
522 West 10th Street
 Juneau, Alaska 99801
 phone 907-586-1070
 fax 907-586-3959
 jensenyorbalott.com



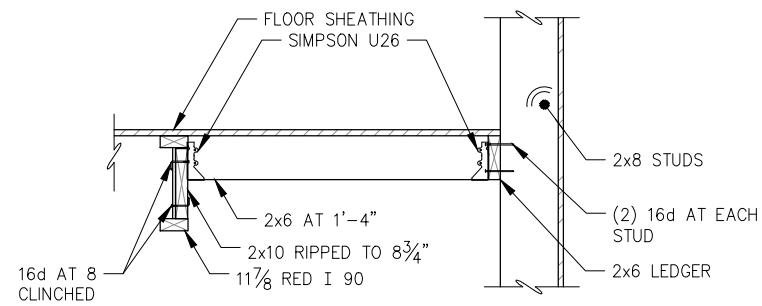
City and Borough of Juneau
**AIRCRAFT RESCUE & FIRE FIGHTING
 STATION MODIFICATION**
 CBJ Contract No. E16-026
 AIP Contract No. 3-02-0133-XXX-2016
 Juneau International Airport



1 TIE OFF ON STEEL BEAM SCALE: 0 6" 1' 2'



A FOUNDATION SECTION - WEST WALL SCALE: 0 6" 1' 2'



B SECTION AT MEZZANINE SCALE: 0 6" 1' 2'

REVISIONS

△	
△	
△	

SHEET TITLE
DETAILS

DATE: MARCH, 2016
 FILE: 15034

SYMBOLS

	A	AIR		1	CONSTRUCTION NOTE
	CW	COLD WATER		⊕	THERMOSTAT - IMMERSION, ROOM
	HW	HOT WATER		⊕	THERMOMETER
	HWR	HOT WATER RETURN		⊕	PRESSURE GAGE
	V	VENT		⊕	CONTROL SWITCH
	W	WASTE, SOIL, DRAINAGE		⊕	DIAMETER
	RL	ROOF DRAIN LEADER/PIPING		⊕	ACCESS DOOR
		ISOLATING VALVE, GATE OR BALL		⊕	EXISTING
		CHECK VALVE		⊕	CONNECT TO EXISTING
		UNION		⊕	RELOCATE
		GLOBE VALVE OR ISOLATING BALL VALVE		⊕	REMOVE
	DV	DRAIN VALVE		⊕	DETAIL CALLOUT
		CAPPED OR PLUGGED			
	CO	CLEANOUT			
	FCO	FLOOR CLEANOUT			
		STRAINER			
	P-1	PUMP			

PLUMBING FIXTURE CONNECTION SCHEDULE

FIXTURE	HOT WATER	COLD WATER	WASTE	VENT
FLOOR DRAIN, FD	-	-	2,3	1-1/2
FLOOR SINK, FS	-	-	3	2
SHOWER, SH-1	1/2	1/2	2	2
PRIMING LINE	-	1/2	-	-

DAMPER SCHEDULE

NAME	SERVICE	SIZE (WxH) INCHES	FEATURE
BDD-1	RELIEF AIR DAMPER	42x42	LOW LEAKAGE, 120V ACTUATOR

LOUVER SCHEDULE

LOUVER	LOCATION	SERVICE	MANUFACTURER/MODEL	DIMENSIONS (WxH) INCHES
LV-1	APPARATUS 139	RELIEF AIR	RUSKIN ELF 6375DXH	42x42

CODE NOTES:

1. CODES & REGULATIONS: ALL WORK SHALL BE STRICTLY IN CONFORMANCE WITH APPLICABLE CODES AND REGULATIONS. ALL WORK SHALL BE IN ACCORDANCE WITH SPECIFICATIONS, DRAWINGS, THE 2009 INTERNATIONAL CODES, 2012 UNIFORM PLUMBING CODE, NFPA, CBJ TITLE 19, AND STATE OF ALASKA MODIFICATIONS. ALL ELECTRICAL EQUIPMENT SHALL BEAR THE UL LABEL. ALL SHEET METAL WORK TO BE DONE IN ACCORDANCE WITH SMACNA REQUIREMENTS. PROVIDE ALL TESTING REQUIREMENTS FOR MECHANICAL SYSTEMS AS REQUIRED AND WITNESSED BY ADMINISTRATIVE AUTHORITY.

PUMP SCHEDULE

PUMP NUMBER	FUNCTION	GALLONS PER MINUTE (GPM)	HEAD DEVELOPED (FT. OF WATER)	DESIGN MANUFACTURER AND MODEL	MINIMUM HORSEPOWER ELECTRICAL CHARACTERISTICS	FEATURES
RP-1	RADIANT HEATING	10	19	TACO 0011, GRUNDFOS	1/8 HP, 120V 1ϕ	IN LINE MOUNTED CENTRIFUGAL UNITIZED. PROVIDE SPARE PUMP.

FLOWSETTER AND AUTOMATIC VALVE SCHEDULE

NUMBER	UNIT SERVED	AREA SERVED	LOCATION	DESIGN GPM	FLOWSETTER SIZE (INCHES)	AUTOMATIC VALVE PRESSURE DROP (PSI)	AUTOMATIC VALVE TYPE	AUTOMATIC VALVE OPERATION	CONTROL TYPE	NORMAL POSITION
1	RADIANT INJECTION LOOP	BUILDING LOOP	MECH 146	11.2	1-1/2	2.5	4-WAY	MODULATING	AUTO	NO
2	RADIANT MANIFOLD #1	APPARATUS 143	MECH 146	5.3	1	1-2	2-WAY	ON-OFF	AUTO	NO
3	RADIANT MANIFOLD #2	APPARATUS 143/DECON	MECH 146	5.9	1	1-2	2-WAY	ON-OFF	AUTO	NO

FAN SCHEDULE

EQUIPMENT	AREA SERVED	CFM	TSP, INCHES OF WATER	DESIGN MANUFACTURER AND MODEL	ELECTRICAL DATA	VOLTS / PHASE	FEATURES AND ACCESSORIES
EF-12	SCBA 140	110	0.2	GREENHECK SP-B150	1.70 A	115 / 1ϕ	CEILING MOUNTED EXHAUST FAN, DIRECT CONNECTED, WITH INTEGRAL INLET GRILLE. CONTROLLED WITH CEILING MOUNTED OCCUPANCY SENSOR WITH ADJUSTABLE 15MIN DELAY - IEW. BACKDRAFT DAMPER & WALL CAP
EF-13	STORAGE	80	0.2	GREENHECK SP-B110-QD	1.14 A	115 / 1ϕ	CEILING MOUNTED EXHAUST FAN, DIRECT CONNECTED, WITH INTEGRAL INLET GRILLE. CONTROLLED WITH CEILING MOUNTED OCCUPANCY SENSOR WITH ADJUSTABLE 15MIN DELAY - IEW. BACKDRAFT DAMPER & WALL CAP
EF-14	DECON 112	110	0.2	GREENHECK SP-B150	1.70 A	115 / 1ϕ	CEILING MOUNTED EXHAUST FAN, DIRECT CONNECTED, WITH INTEGRAL INLET GRILLE. MANUAL SWITCH - IEW. BACKDRAFT DAMPER & WALL CAP. MANUAL SWITCH - IEW
EF-11	APPARATUS 143	2850	0.5	GREENHECK G-183-VG	3/4HP	208 / 1ϕ	ROOF MOUNTED DIRECT DRIVE CENTRIFUGAL DOWNBLAST EXHAUST FAN. ACTIVATED BY HAZ GAS PANEL OR HUMIDITY SENSOR.

VEHICLE EXHAUST SCHEDULE

EQUIPMENT	AREA SERVED	CFM	TSP, INCHES OF WATER	DESIGN MANUFACTURER AND MODEL	ELECTRICAL DATA	VOLTS / PHASE	FEATURES AND ACCESSORIES
VEF-2	APPARATUS 143	700	6	GREENHECK 7-IPA	1.5 HP	208V / 3ϕ	SUSPENDED. SERVES ONE VEHICLE. REMOTE ACTIVATED THROUGH DOOR OPERATION. PREMIUM EFFICIENCY TEFC MOTOR

NOTE: VEF-1 IS AN EXISTING FAN SYSTEM. PROVIDE TROLLEY/EA RAIL SYSTEM HEREUNDER.

MECHANICAL SHEET LIST

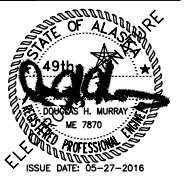
NUMBER	TITLE
M001	SYMBOLS & SCHEDULES
M100	FOUNDATION PLAN
M101	1ST FLOOR PLAN
M102	2ND FLOOR PLAN
M103	ROOF PLAN
M201	PARTIAL 1ST FLOOR PLAN
M300	RADIANT HEAT PLAN
M401	DETAILS
M402	DETAILS
MD100	FOUNDATION PLAN DEMOLITION
MD101	1ST FLOOR PLAN DEMOLITION
MD102	2ND FLOOR PLAN DEMOLITION
MD103	2ND FLOOR TEMPORARY VEHICLE EXHUAUST SYTEM
MP100	MECHANICAL PLUMBING PICTURES



Jensen Yorba Lott Inc.

522 West 10th Street
Juneau, Alaska 99801
phone 907-586-1070
fax 907-586-3959
jensenyorbalo.com

MURRAY & ASSOCIATES P.C.
CONSULTING ENGINEERS



Juneau International Airport
City and Borough of Juneau
AIRCRAFT RESCUE & FIRE FIGHTING
STATION MODIFICATION
Contract No. E16-146
AIP 3-02-0133-XXX-2016

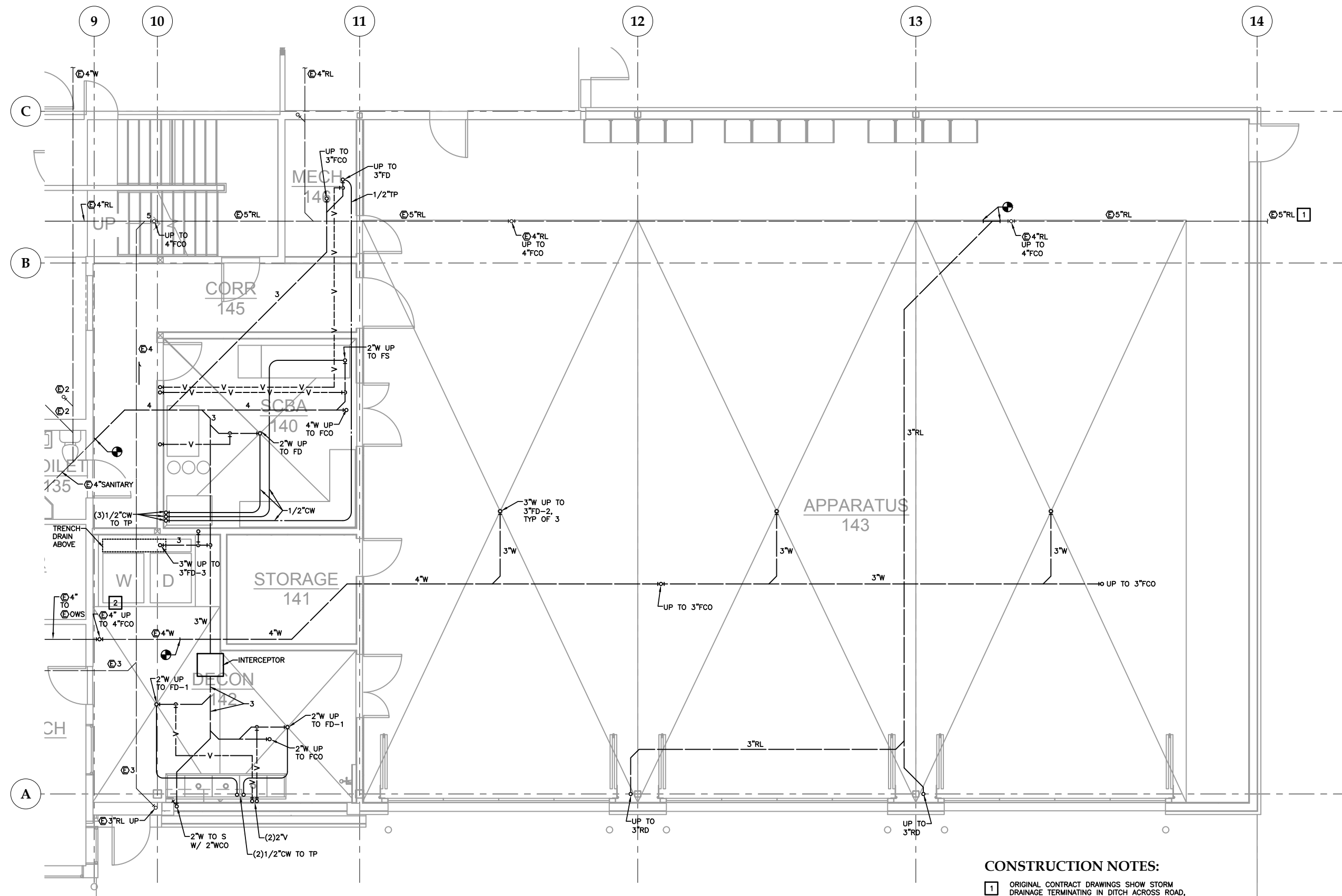
REVISIONS



SHEET TITLE
SYMBOLS & SCHEDULES

DATE: MAY 2016
FILE: 15034/10-336

M001



1 FOUNDATION PLAN

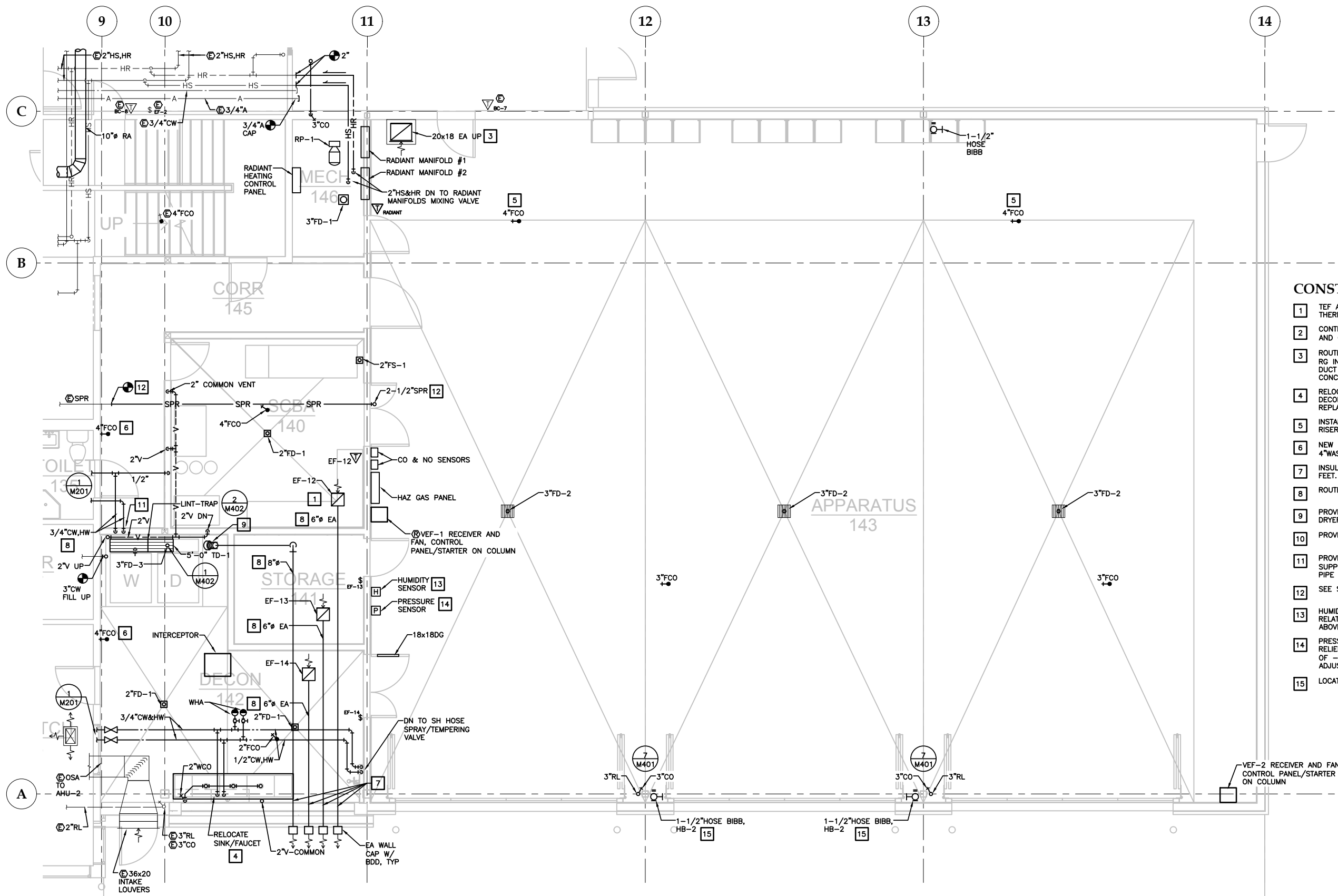
- CONSTRUCTION NOTES:**
- 1 ORIGINAL CONTRACT DRAWINGS SHOW STORM DRAINAGE TERMINATING IN DITCH ACROSS ROAD, CONTRACTOR TO VERIFY TERMINATION AND INCLUDE ON RECORD DRAWINGS.
 - 2 INSTALL 4"FCO, CONNECT TO EXISTING 4"W RISER.

SCALE: 0 2' 4' 8'



REVISIONS

SHEET TITLE
FOUNDATION PLAN



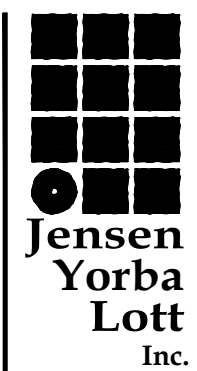
1 1ST FLOOR PLAN

SCALE: 0 2' 4' 8'



CONSTRUCTION NOTES:

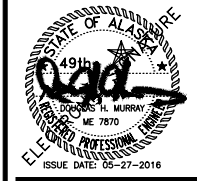
- 1 TEF ACTIVATED BY ADJUSTABLE ROOM THERMOSTAT.
- 2 CONTRACTOR TO VERIFY EXACT LOCATION AND CONNECT TO EXISTING 3" CW.
- 3 ROUTE 20x18 EA TO FLOOR WITH 12"x24" RG IN VERTICAL FACE AT 12" AFF. SECURE DUCT TO 4-INCH HIGH REINFORCED CONCRETE CURB.
- 4 RELOCATE 3-POT SINK, FAUCETS TO DECON 142. REUSE EXISTING SPRAY HOSE. REPLACE TRIM WITH NEW TRIM.
- 5 INSTALL CLEANOUT ON EXISTING WASTE RISER.
- 6 NEW FCO/CONNECT TO EXISTING VERTICAL 4" WASTE.
- 7 INSULATE DUCT FROM EXTERIOR BACK FIVE FEET.
- 8 ROUTED IN CEILING SPACE.
- 9 PROVIDE METAL FLEX CONNECTION OF DRYER OUTLET.
- 10 PROVIDE DRYER CONNECTION.
- 11 PROVIDE TWO 3/4" HEAVY DUTY WASHER SUPPLY HOSES AND 3" FLEXIBLE WASTE PIPE CONNECTIONS TO WASHER.
- 12 SEE SPRINKLER SHOP DRAWINGS.
- 13 HUMIDITY SENSOR, INITIALLY SET AT 60% RELATIVE HUMIDITY, TO OPERATE EF-11 ABOVE SET POINT.
- 14 PRESSURE SENSOR TO OPEN EAD-1 RELIEF AIR DAMPER UPON A PRESSURE OF -.05" W.G. OR GREATER SETTING ADJUSTABLE.
- 15 LOCATE HB-2 AT 42" AFF.



Jensen Yorba Lott Inc.
 522 West 10th Street
 Juneau, Alaska 99801
 phone 907-586-1070
 fax 907-586-3959
 jensenyorbалott.com

MURRAY & ASSOCIATES P.C.
 CONSULTING ENGINEERS

 P.O. BOX 21081
 JUNEAU, AK 99802
 MURRAYPC.COM
 TEL: 907 780-6151 FAX: 907 780-6182



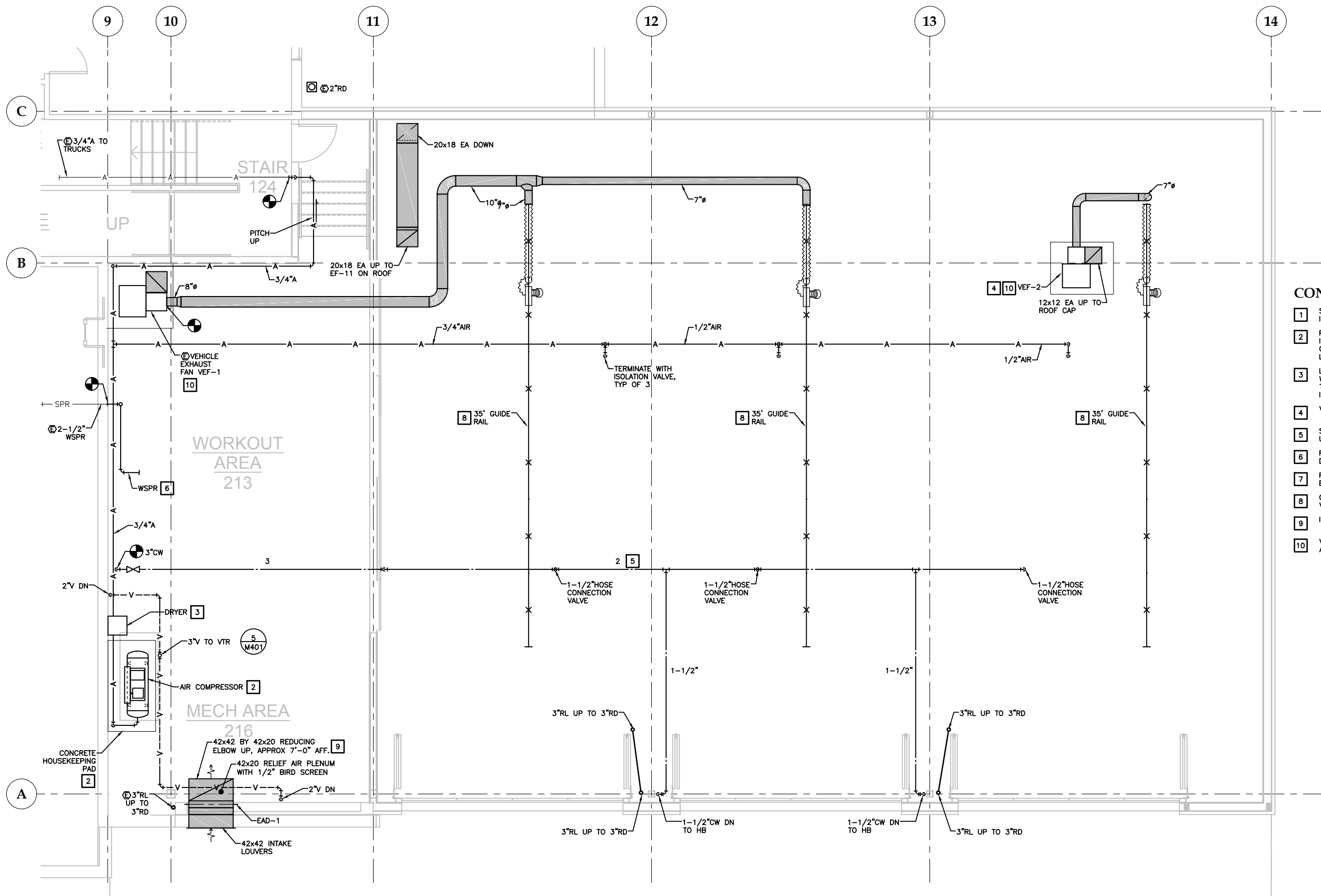
Juneau International Airport
 City and Borough of Juneau
**AIRCRAFT RESCUE & FIRE FIGHTING
 STATION MODIFICATION**
 Contract No. E16-146
 AIP 3-02-0133-XXX-2016

REVISIONS

SHEET TITLE
 1ST FLOOR PLAN

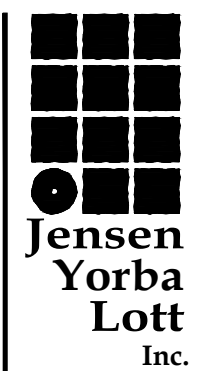
DATE: MAY 2016
 FILE: 15034/10-336

M101



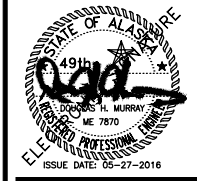
CONSTRUCTION NOTES:

- 1 SEE DIAGRAM 3 ON M402 FOR ADDITIONAL INFORMATION.
- 2 PROVIDE SEISMIC SPRING TYPE VIBRATION ISOLATORS FOR RELOCATED AIR COMPRESSOR. COORDINATE CONCRETE PAD LOCATION AND CONFIGURATION.
- 3 LOCATE DRYER ON CHANNEL FRAMING ON WALL. ROUTE CONDENSATE DRAIN TO TRENCH DRAIN BELOW. PROVIDE VIBRATION ISOLATION AT SUPPORTS.
- 4 VEF-2 SEISMICALLY HUNG FROM CEILING.
- 5 SECURE AS HIGH AS POSSIBLE TO UNDERSIDE OF GWB CEILING.
- 6 REFERENCE SPRINKLER CONTRACTOR SHOP DRAWINGS.
- 7 ROUTE PIPE THROUGH MIDDLE THIRD OF EXISTING.
- 8 COORDINATE CONFIGURATION WITH ARFF VEHICLES.
- 9 INSULATE.
- 10 VERIFY OPERATION. INCLUDE IN TESTING AND BALANCING WORK.



**Jensen
Yorba
Lott
Inc.**

522 West 10th Street
Juneau, Alaska 99801
phone 907-586-1070
fax 907-586-3959
jensenyorbалott.com



Juneau International Airport
 City and Borough of Juneau
**AIRCRAFT RESCUE & FIRE FIGHTING
 STATION MODIFICATION**
 Contract No. E16-146
 AIP 3-02-0133-XXX-2016

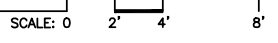
REVISIONS

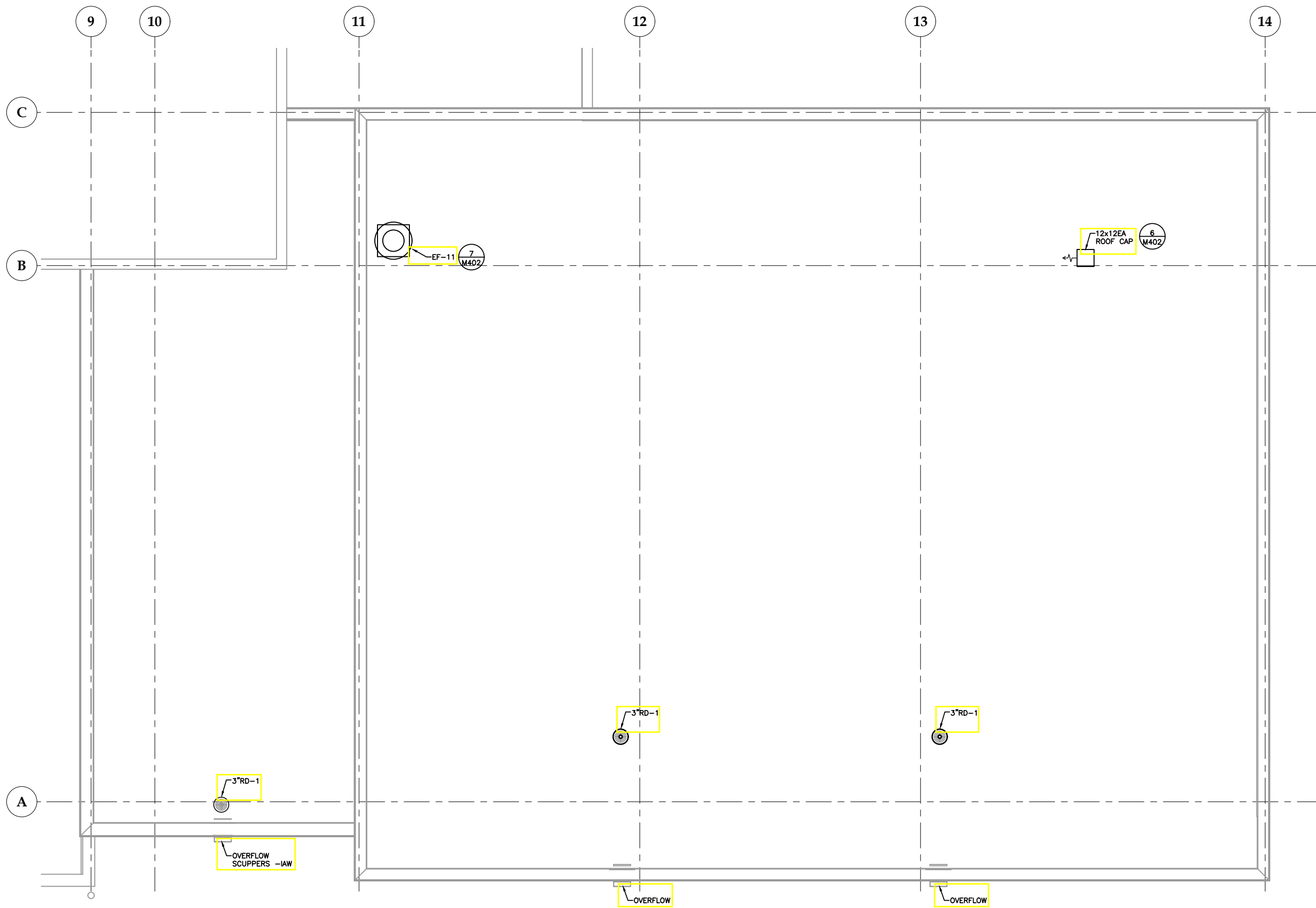
SHEET TITLE
2ND FLOOR PLAN

DATE: MAY 2016
FILE: 15034/10-336

M102

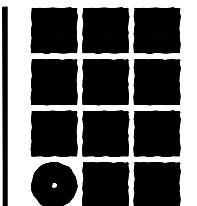
1 2ND FLOOR PLAN





1 ROOF PLAN

SCALE: 0 2' 4' 8'



**Jensen
Yorba
Lott
Inc.**

522 West 10th Street
Juneau, Alaska 99801
phone 907-586-1070
fax 907-586-3959
jensenyorbaltott.com

MURRAY &
ASSOCIATES P.C.
CONSULTING
ENGINEERS

M&A
P.O. BOX 21081
JUNEAU, AK 99802
MURRAYPC.COM
TEL: 907 780-6151 FAX: 907 780-6182



Juneau International Airport
City and Borough of Juneau
**AIRCRAFT RESCUE & FIRE FIGHTING
STATION MODIFICATION**
Contract No. E16-146
AIP 3-02-0133-XXX-2016

REVISIONS
▲
▲
▲

SHEET TITLE
ROOF PLAN

DATE: MAY 2016
FILE: 15034/10-336

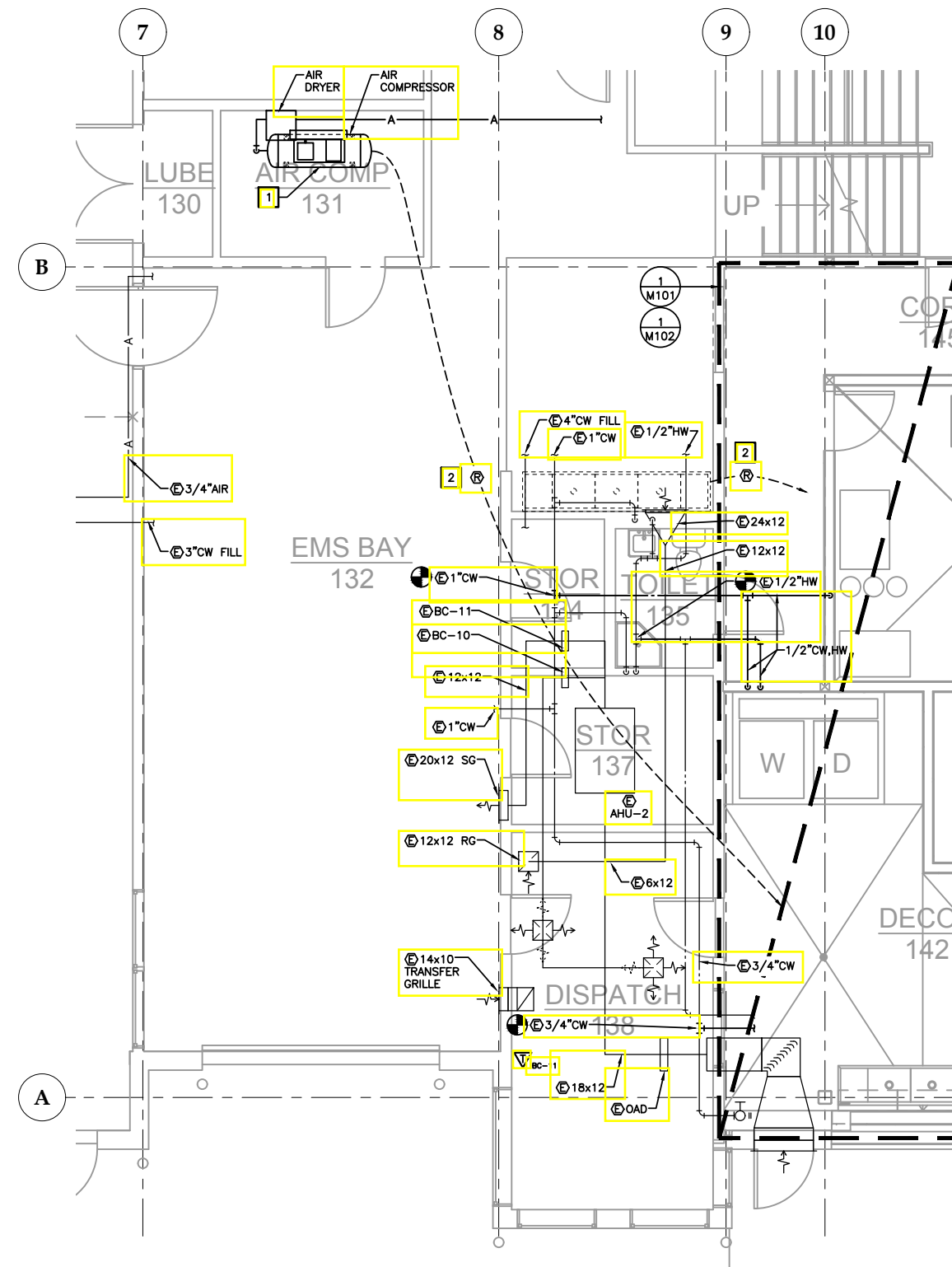
M103

SHEET NOTES:

1. CONTRACTOR TO SCHEDULE WITH OWNER RELOCATION OF AIR COMPRESSOR TO NEW MECHANICAL MEZZANINE AREA. CONNECT NEW AIR PIPING TO EXISTING.

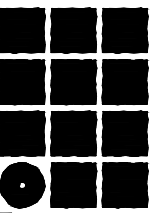
CONSTRUCTION NOTES:

1. CONTRACTOR TO RELOCATE AIR COMPRESSOR TO LOCATION SHOWN ON M102.
2. RELOCATE TRIPLE-POT SINK TO NEW LOCATION SHOWN IN DECON 142. REMOVE AND REPLACE TRIM. CAP EXISTING CW, HW, WASTE, AND VENT PIPING.



1 PARTIAL 1ST FLOOR PLAN

SCALE: 0 2' 4' 8'



**Jensen
Yorba
Lott
Inc.**

522 West 10th Street
Juneau, Alaska 99801
phone 907-586-1070
fax 907-586-3959
jensenyorbaltott.com

MURRAY &
ASSOCIATES P.C.
CONSULTING
ENGINEERS



P.O. BOX 21081
JUNEAU, AK 99802
MURRAYPC.COM
TEL: 907 780-6151 FAX: 907 780-6182

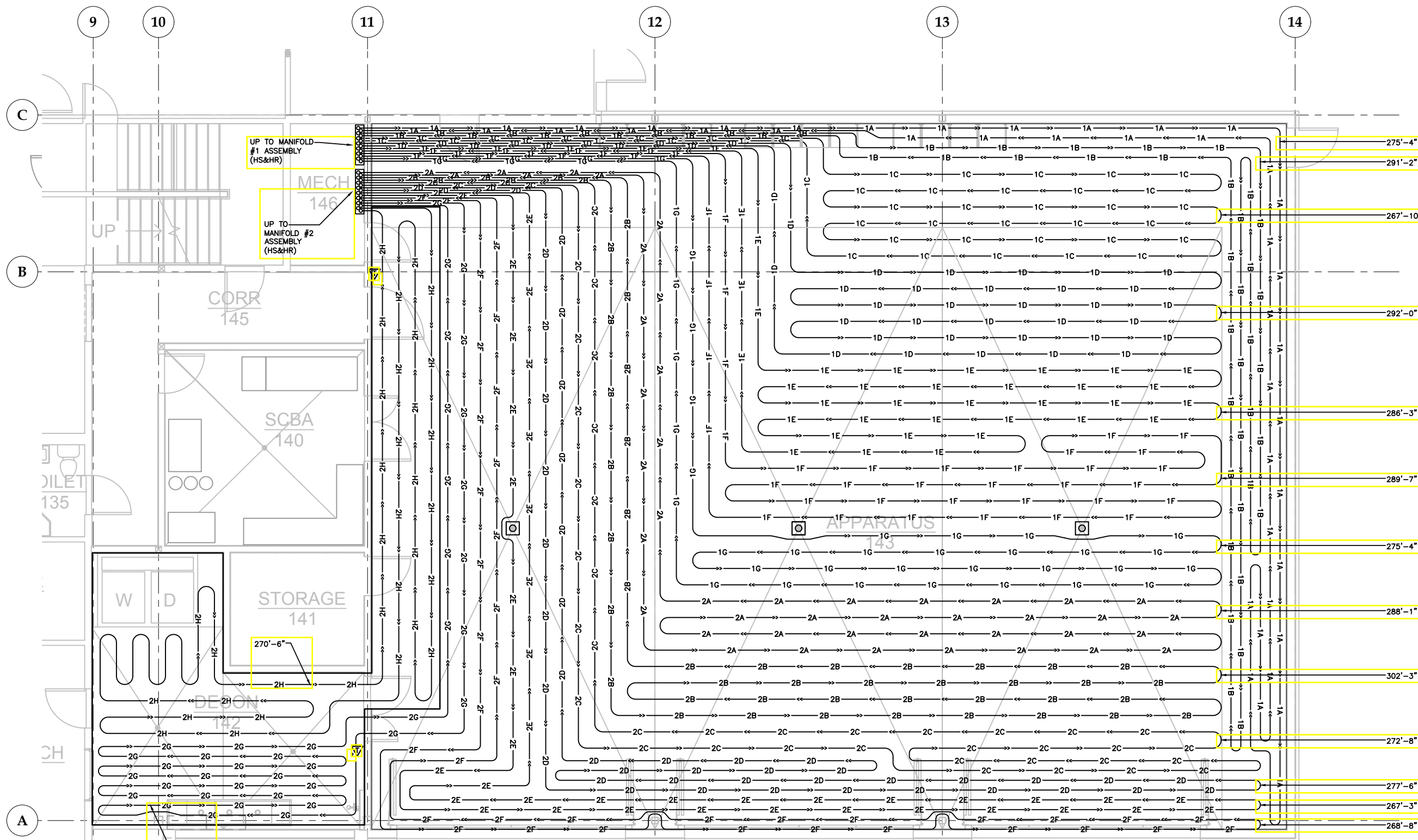
Juneau International Airport
City and Borough of Juneau
**AIRCRAFT RESCUE & FIRE FIGHTING
STATION MODIFICATION**
Contract No. E16-146
AIP 3-02-0133-XXX-2016

REVISIONS

SHEET TITLE
PARTIAL 1ST
FLOOR PLAN

DATE: MAY 2016
FILE: 15034/10-336

M201



SHEET NOTES:

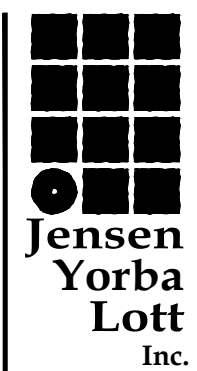
1. INSTALL RADIANT FLOOR TUBING AS SHOWN. COORDINATE TUBING WITH STRUCTURAL AND GENERAL CONDITIONS.
2. PROVIDE AS-BUILT SHOP DRAWINGS SHOWING TUBING LAYOUT. PROVIDE DIMENSIONS TO STRUCTURAL GRID.
3. UNLESS OTHERWISE NOTED RADIANT TUBING IS GENERALLY ROUTED TO EACH ZONE VIA DOORWAYS.
4. UNLESS OTHERWISE NOTED RADIANT TUBING MANIFOLD TERMINATIONS ARE TO BE INSTALLED IN WALL SPACE.
5. TUBING TO BE INSTALLED IN MIDDLE OF CONCRETE SLAB. SECURE TUBING TO TOP OF WIRE MESH OR REBAR WITH PLASTIC TIES.
6. TUBING TERMINATIONS: PROVIDE PROTECTION TO THE TUBING ENTRY AND EXIT OF THE CONCRETE BELOW THE MANIFOLDS WITH 1/2 INCH THICK CLOSED CELL PIPE INSULATION AND WITH EACH INSULATION PIECE APPROXIMATELY 18 INCHES LONG WITH MIDPOINT AT SURFACE OF SLAB.
7. SLEEVE PIPING WHERE ROUTED BELOW WALL.

RADIANT HEATING SCHEDULE

ZONE	AREA SERVED	APPROXIMATE ZONE AREA	MANIFOLD #	# LOOP	TUBE SPACING O.C.	ESTIMATED AVERAGE TUBE LENGTH FT PER LOOP	LOOP CIRCUIT GPM	MANIFOLD GPM	TUBING SIZE
1	APPARATUS 143	3580 SQ. FT.	1	2	9	283'	0.75	3.0	5/8"
				5	15				
2	DECON 142, PART OF APPARATUS 143	536 SQ. FT.	2	1	9	289'	0.7	0.7	5/8"
				1	15				

1 RADIANT HEAT PLAN

SCALE: 0 2' 4' 8'



Jensen Yorba Lott Inc.
 522 West 10th Street
 Juneau, Alaska 99801
 phone 907-586-1070
 fax 907-586-3959
 jensenyorbалott.com

MURRAY & ASSOCIATES P.C.
 CONSULTING ENGINEERS

 P.O. BOX 21081
 JUNEAU, AK 99802
 MURRAYPC.COM
 TEL: 907 780-6151 FAX: 907 780-6182

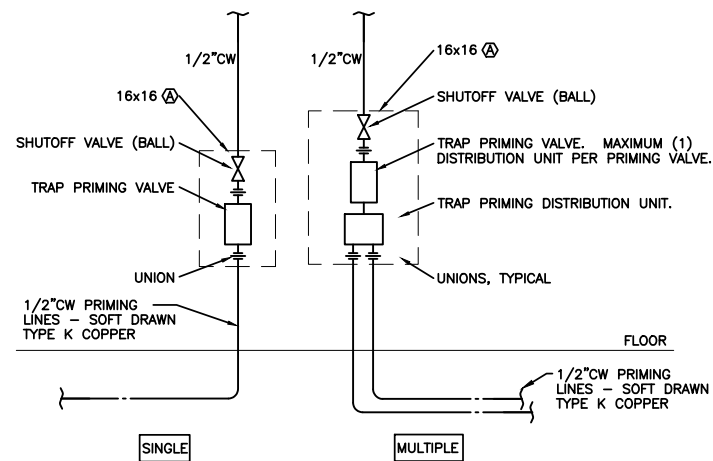


Juneau International Airport
 City and Borough of Juneau
AIRCRAFT RESCUE & FIRE FIGHTING STATION MODIFICATION
 Contract No. E16-146
 AIP 3-02-0133-XXX-2016

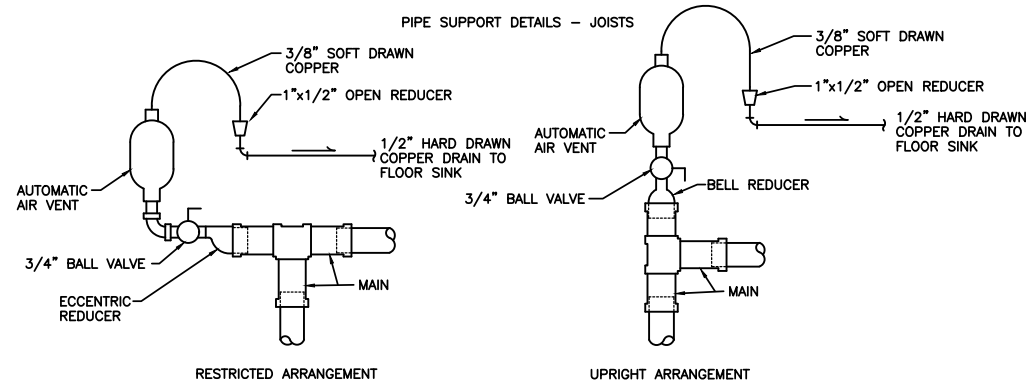
REVISIONS
 △
 △
 △

SHEET TITLE
RADIANT HEAT PLAN
 DATE: MAY 2016
 FILE: 15034/10-336

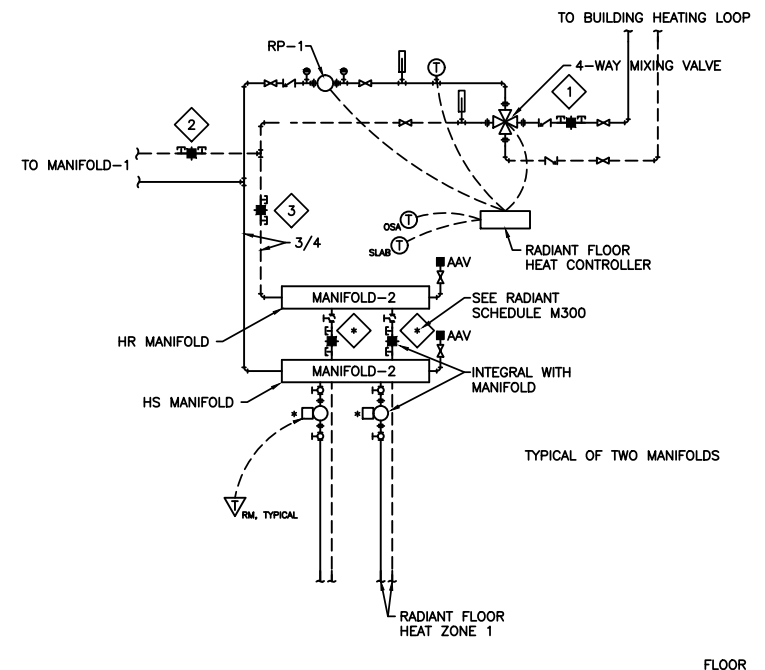




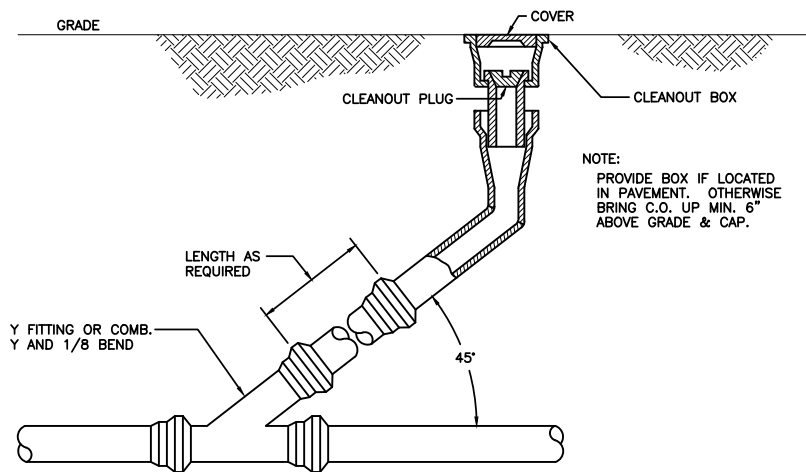
1 TRAP PRIMER DETAIL
NO SCALE



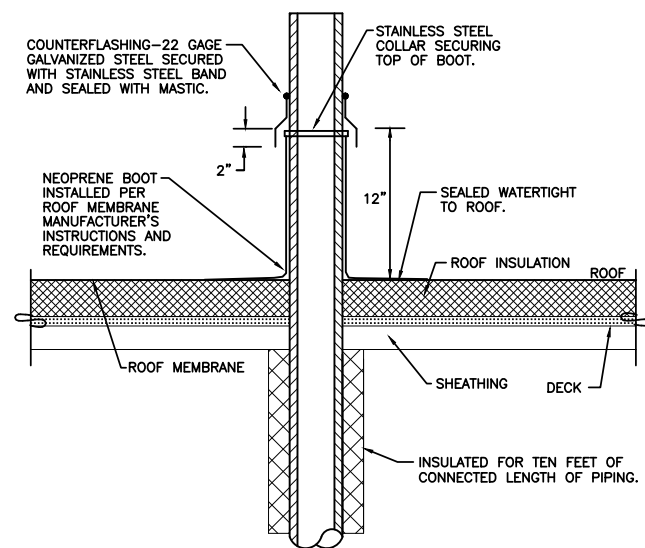
2 AUTOMATIC AIR VENT DETAIL
NO SCALE



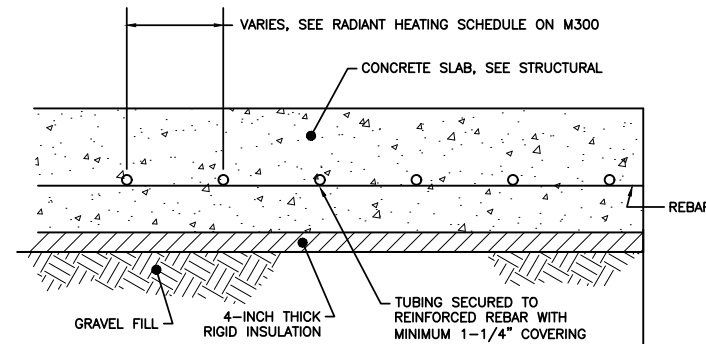
3 RADIANT MANIFOLD DETAILS
NO SCALE



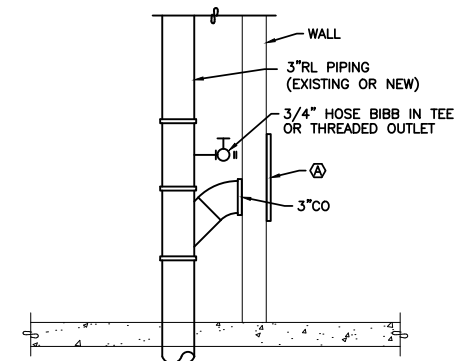
4 YARD CLEANOUT DETAIL
NO SCALE



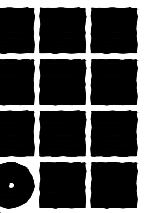
5 VENT THROUGH ROOF DETAILS
NO SCALE



6 RADIANT FLOOR PIPING DETAIL
NO SCALE



7 ROOF DRAIN CLEANOUT DETAIL
NO SCALE

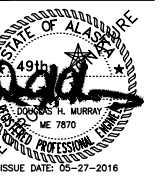


**Jensen
Yorba
Lott
Inc.**

522 West 10th Street
Juneau, Alaska 99801
phone 907-586-1070
fax 907-586-3959
jensenyorbалott.com

MURRAY &
ASSOCIATES P.C.
CONSULTING
ENGINEERS

M&A
P.O. BOX 21081
JUNEAU, AK 99802
MURRAYPC.COM
TEL: 907 780-6151 FAX: 907 780-6182



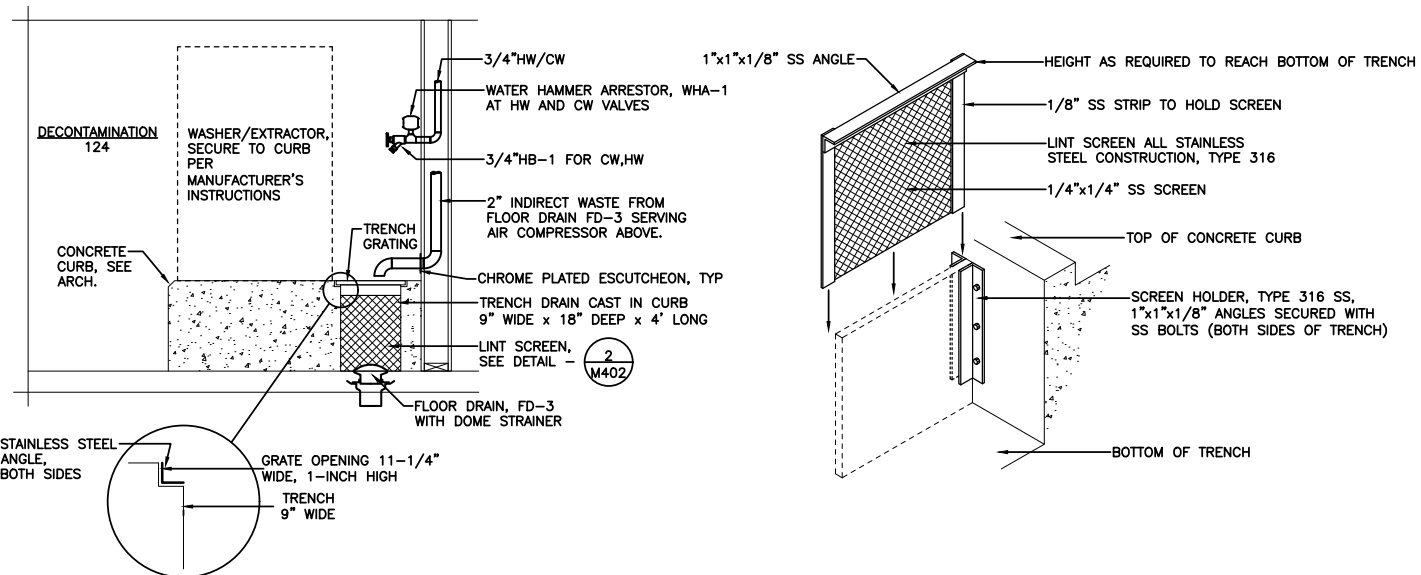
Juneau International Airport
City and Borough of Juneau
**AIRCRAFT RESCUE & FIRE FIGHTING
STATION MODIFICATION**
Contract No. E16-146
AIP 3-02-0133-XXX-2016

REVISIONS
△
△
△

SHEET TITLE
DETAILS

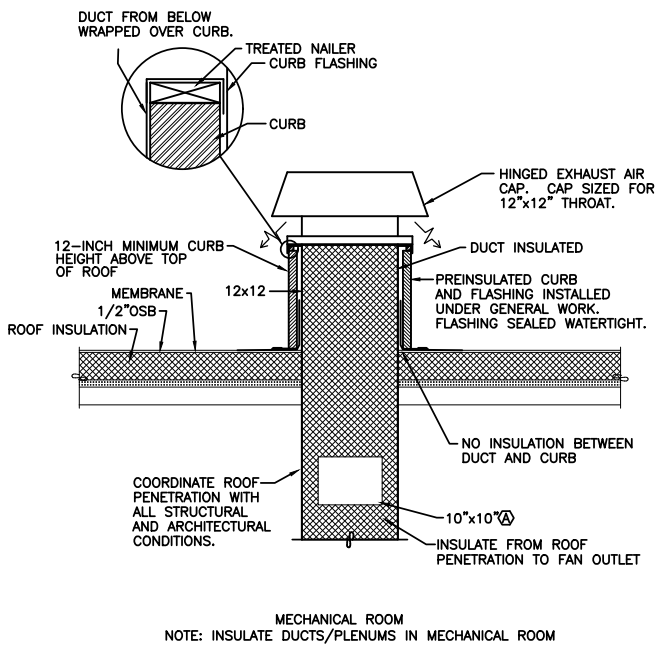
DATE: MAY 2016
FILE: 15034/10-336

M401

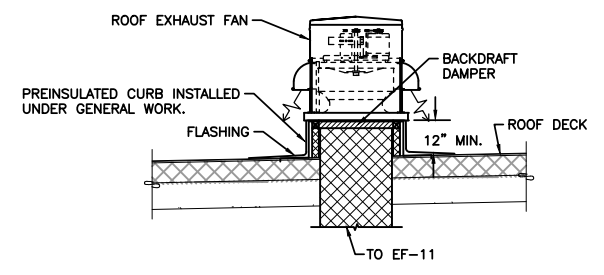


1 CLOTHES WASHER DETAIL
NO SCALE

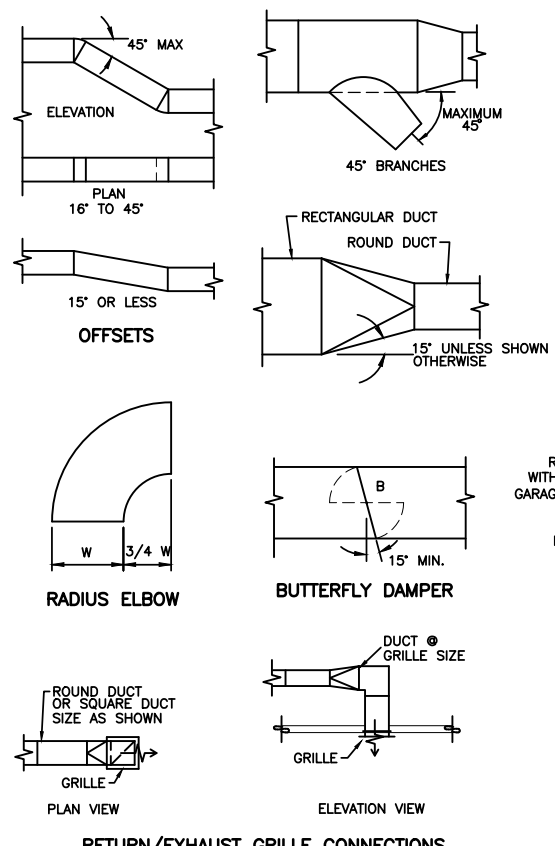
2 LINT TRAP DETAIL
NO SCALE



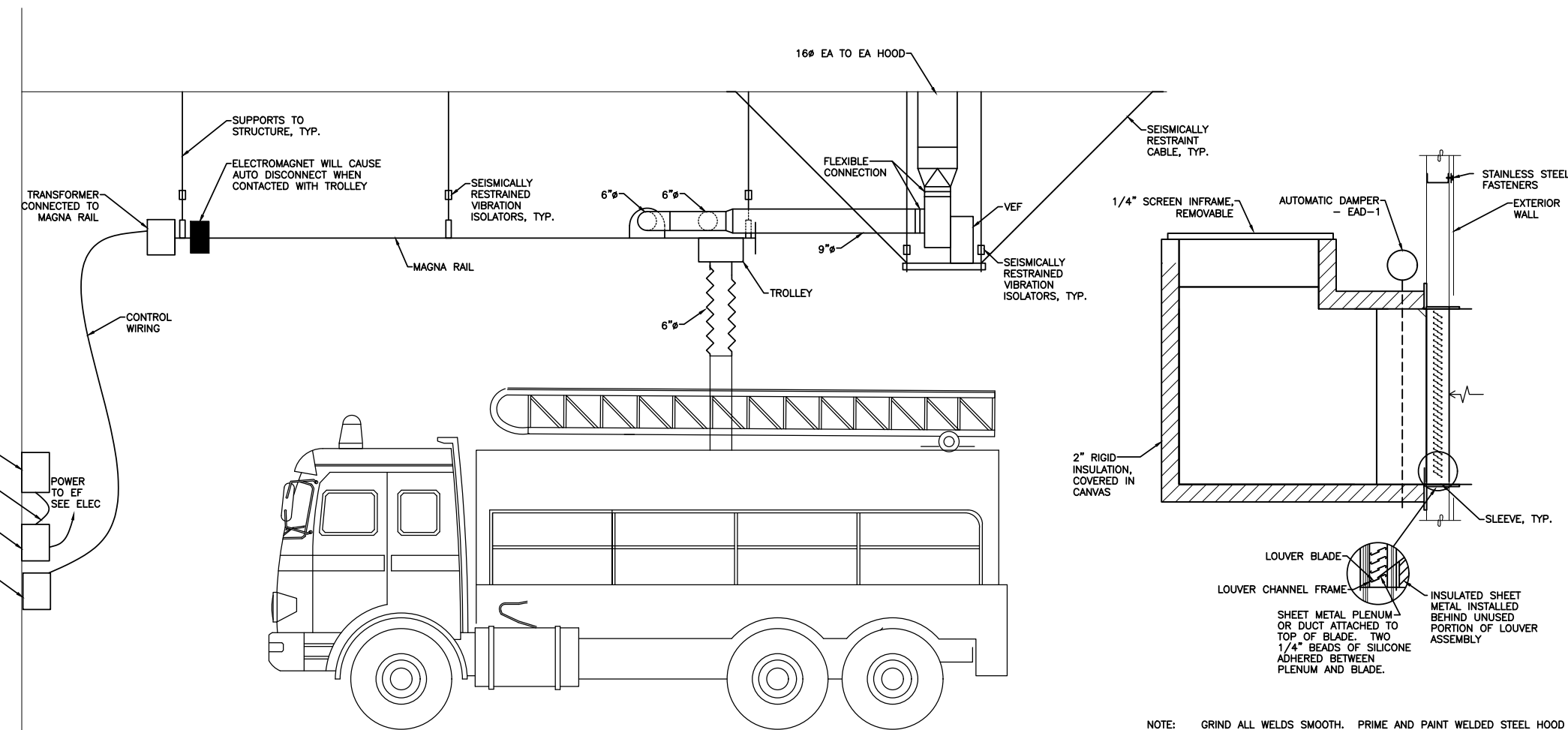
6 EXHAUST CAP DETAIL
NO SCALE



7 ROOF EXHAUST FAN DETAIL
NO SCALE



3 DUCT CONSTRUCTION DETAILS
NO SCALE



4 VEHICLE EXHAUST DIAGRAM - TYPICAL
NO SCALE

5 RELIEF AIR HOOD
NO SCALE

NOTE: GRIND ALL WELDS SMOOTH. PRIME AND PAINT WELDED STEEL HOOD AND FASTENERS EXTERIOR AND INTERIOR SURFACES TWO COATS RUST PREVENTIVE PAINT. PAINT TO MATCH BUILDING EXTERIOR COLOR. COORDINATE WITH ARCHITECTURAL.

Jensen Yorba Lott Inc.
522 West 10th Street
Juneau, Alaska 99801
phone 907-586-1070
fax 907-586-3959
jensenyorbaltott.com

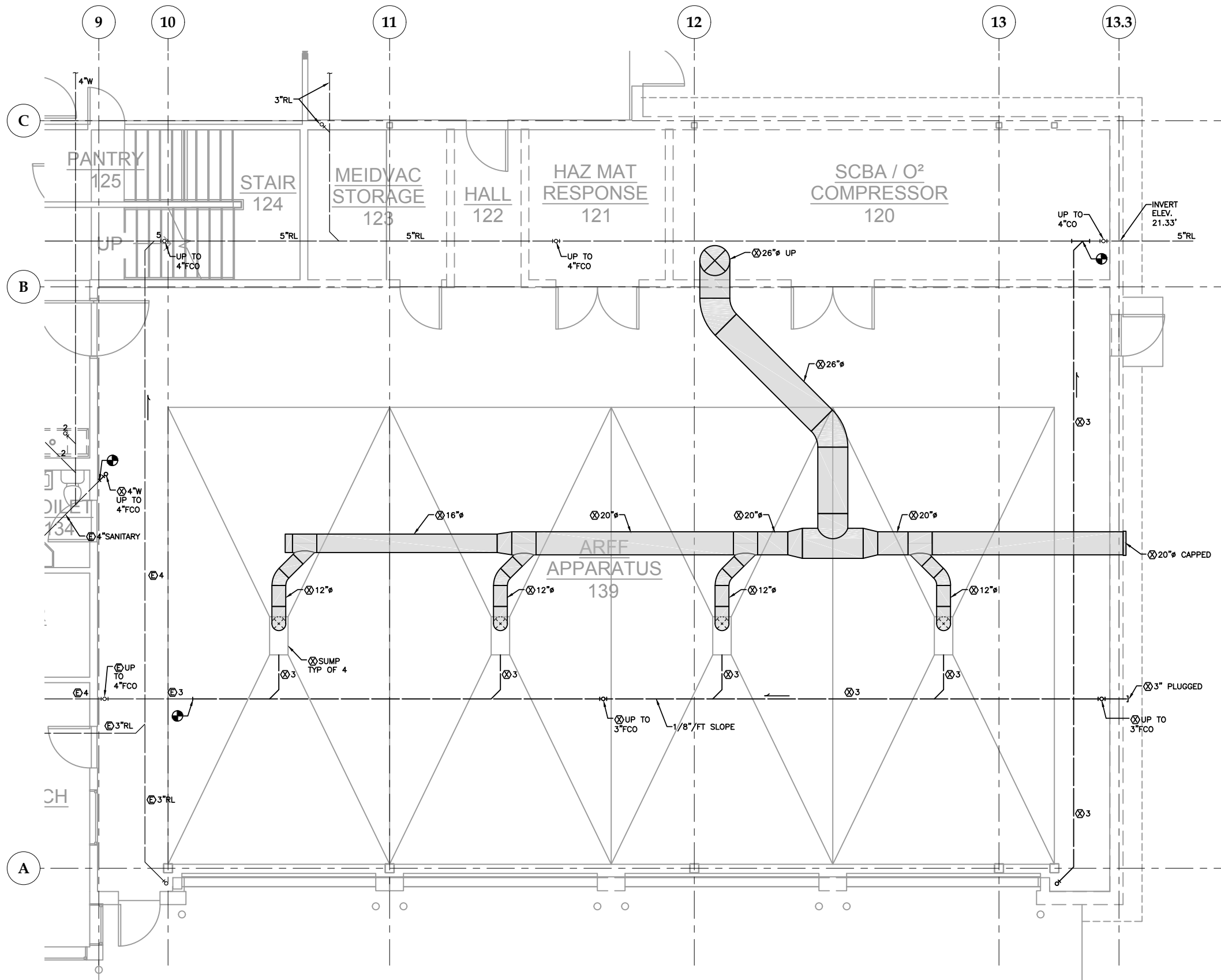
MURRAY & ASSOCIATES P.C.
CONSULTING ENGINEERS
P.O. BOX 21081
JUNEAU, AK 99802
MURRAYPC.COM
TEL: 907 780-6151 FAX: 907 780-6182

STATE OF ALASKA
49th
ELECTRICAL ENGINEER
MURRAY
NO. 7570
ISSUE DATE: 05-27-2016

Juneau International Airport
City and Borough of Juneau
AIRCRAFT RESCUE & FIRE FIGHTING STATION MODIFICATION
Contract No. E16-146
AIP 3-02-0133-XXX-2016

REVISIONS
SHEET TITLE
DETAILS
DATE: MAY 2016
FILE: 15034/10-336

M402

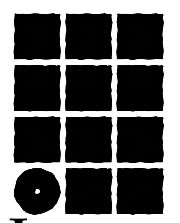


SHEET NOTES:

1. REMOVE ALL MECHANICAL SYSTEMS UNLESS OTHERWISE NOTED. SYSTEMS SHOWN ARE FROM PREVIOUS CONSTRUCTION DRAWINGS AND AS-BUILT CONDITIONS. NOT ALL PIPING, DUCTWORK, OR EQUIPMENT IS SHOWN. EXCEPT WHERE SPECIFICALLY NOTED TO REMAIN, ALL MECHANICAL SYSTEMS NOT SHOWN AS EXISTING SHALL BE REMOVED, WHETHER SHOWN OR NOT. REMOVAL OF SYSTEMS SHALL BE COMPLETE INCLUDING ALL HANGERS, RODS, SUPPORTS, CONCRETE PADS AND ACCESSORIES.
2. UNDERGROUND DUCTWORK IS DOUBLE WALL SPUNSTRAND TYPE.

1 FOUNDATION PLAN DEMOLITION

SCALE: 0 2' 4' 8'



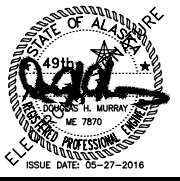
**Jensen
Yorba
Lott
Inc.**

522 West 10th Street
Juneau, Alaska 99801
phone 907-586-1070
fax 907-586-3959
jensenyorbalott.com

MURRAY &
ASSOCIATES P.C.
CONSULTING
ENGINEERS



P.O. BOX 21081
JUNEAU, AK 99802
MURRAYPC.COM
TEL: 907 780-6151 FAX: 907 780-6182



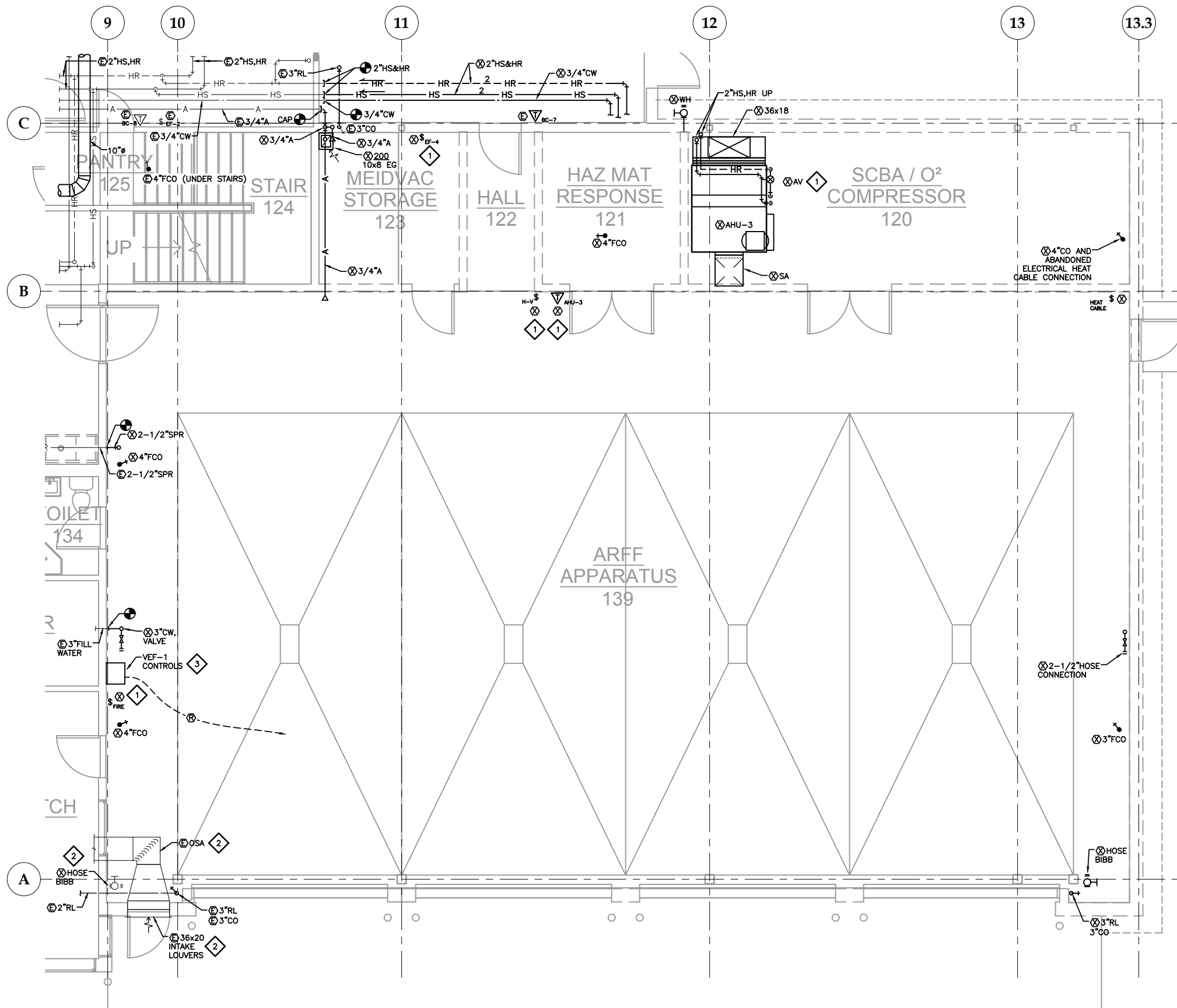
Juneau International Airport
City and Borough of Juneau
**AIRCRAFT RESCUE & FIRE FIGHTING
STATION MODIFICATION**
Contract No. E16-146
AIP 3-02-0133-XXX-2016

REVISIONS	
▲	
▲	
▲	

SHEET TITLE
FOUNDATION
PLAN DEMOLITION

DATE: MAY 2016
FILE: 15034/10-336

MD100



SHEET NOTES:

1. REMOVE ALL MECHANICAL SYSTEMS UNLESS OTHERWISE NOTED. SYSTEMS SHOWN ARE FROM PREVIOUS CONSTRUCTION DRAWINGS AND AS-BUILT CONDITIONS. NOT ALL PIPING, DUCTWORK, OR EQUIPMENT IS SHOWN. EXCEPT WHERE SPECIFICALLY NOTED TO REMAIN, ALL MECHANICAL SYSTEMS NOT SHOWN AS EXISTING SHALL BE REMOVED, WHETHER SHOWN OR NOT. REMOVAL OF SYSTEMS SHALL BE COMPLETE INCLUDING ALL HANGERS, RODS, SUPPORTS, CONCRETE PADS AND ACCESSORIES.

DEMOLITION NOTES:

- 1 REMOVE ELECTRIC OR PNEUMATIC CONTROL DEVICE AND AIR TUBING. CAP AIR TUBING AT EDGE OF PROJECT DEMOLITION LIMIT.
- 2 EXISTING MECHANICAL EQUIPMENT. PROTECT IN PLACE, PROVIDE TEMPORARY SUPPORT AS REQUIRED.
- 3 RELOCATE VEF-1 CONTROLS/PANEL.

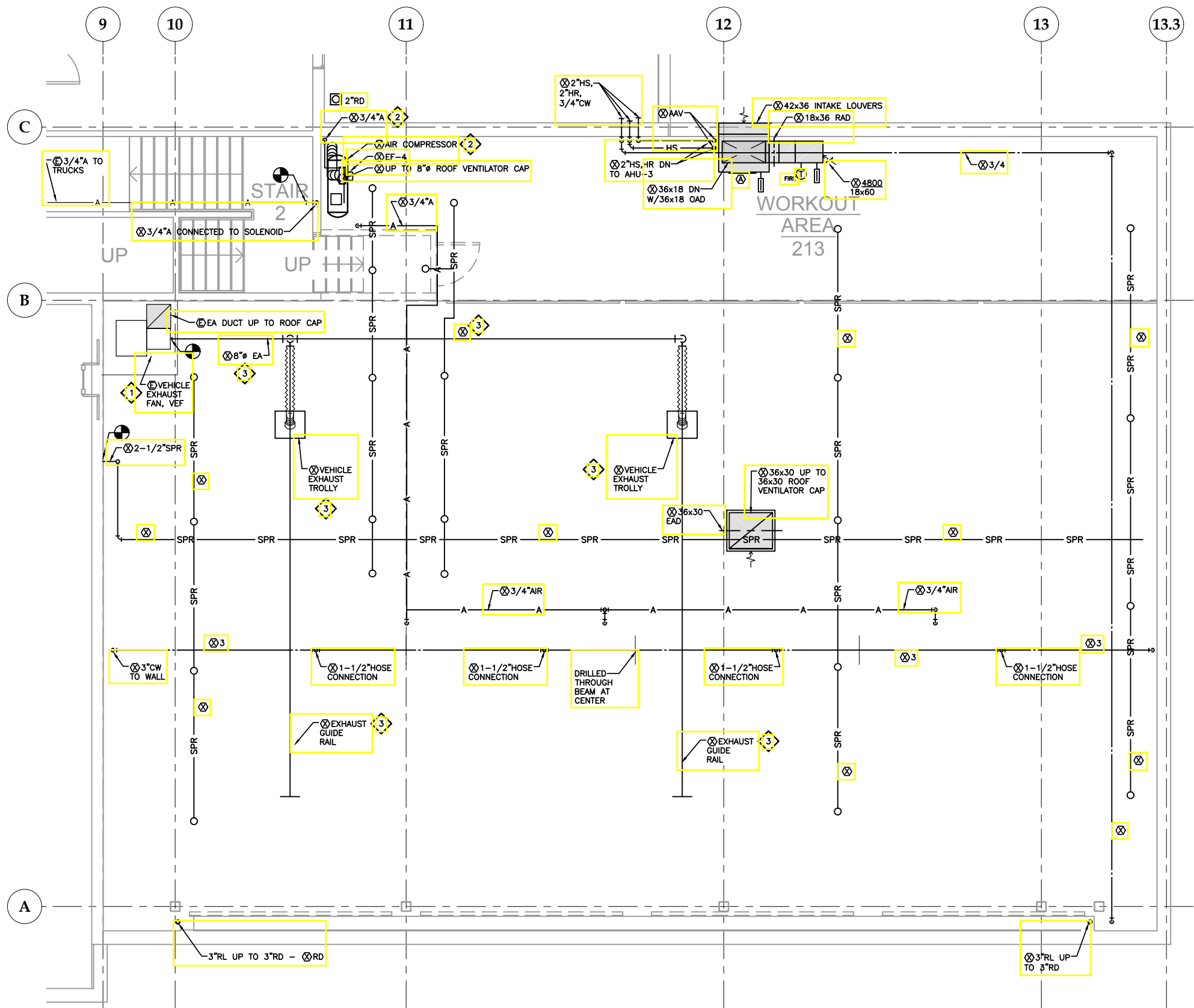
1 1ST FLOOR PLAN DEMOLITION



REVISIONS
▲
▲
▲

SHEET TITLE
**1ST FLOOR PLAN
DEMOLITION**

DATE: MAY 2016
FILE: 15034/10-336



DEMOLITION NOTES:

- 1. CONTRACTOR TO RETAIN AND REUSE FOR TEMPORARY RELOCATED ARFF VEHICLES AND FOR FINAL ARFF VEHICLE LOCATION.
- 2. REMOVE AIR COMPRESSOR, TRIM, DRYER, AND PIPING AFTER TEMPORARY AIR COMPRESSOR IS INSTALLED IN AIR COMP 131.
- 3. REMOVE AND RELOCATE ENTIRE VEHICLE EXHAUST SYSTEM INCLUDING RAILING SYSTEM AND SUPPORTS, RAIL ACCESSORIES, AND ACCOMPANYING DUCTWORK. SEE SHEET MD102.

SHEET NOTES:

- 1. REMOVE ALL MECHANICAL SYSTEMS UNLESS OTHERWISE NOTED. SYSTEMS SHOWN ARE FROM PREVIOUS CONSTRUCTION DRAWINGS AND AS-BUILT CONDITIONS. NOT ALL PIPING, DUCTWORK, OR EQUIPMENT IS SHOWN. EXCEPT WHERE SPECIFICALLY NOTED TO REMAIN, ALL MECHANICAL SYSTEMS NOT SHOWN AS EXISTING SHALL BE REMOVED, WHETHER SHOWN OR NOT. REMOVAL OF SYSTEMS SHALL BE COMPLETE INCLUDING ALL HANGERS, RODS, SUPPORTS, CONCRETE PADS AND ACCESSORIES.
- 2. EXISTING VEHICLE EXHAUST GUIDE RAIL IS SUPPORTED WITH BRACING HUNG FROM CEILING. WILL NEED TO BE REHUNG SO RAIL IS LOCATED IN THE CENTER OF THE BAY TO ACCOMMODATE HEIGHT AND LOCATION OF ARFF VEHICLE EXHAUST PIPE.

Jensen Yorba Lott Inc.
 522 West 10th Street
 Juneau, Alaska 99801
 phone 907-586-1070
 fax 907-586-3959
 jensenyorbaltott.com

MURRAY & ASSOCIATES P.C.
 CONSULTING ENGINEERS

 P.O. BOX 21081
 JUNEAU, AK 99802
 MURRAYPC.COM
 TEL: 907 780-6151 FAX: 907 780-6182



Juneau International Airport
 City and Borough of Juneau
**AIRCRAFT RESCUE & FIRE FIGHTING
 STATION MODIFICATION**
 Contract No. E16-146
 AIP 3-02-0133-XXX-2016

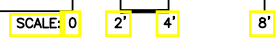
REVISIONS

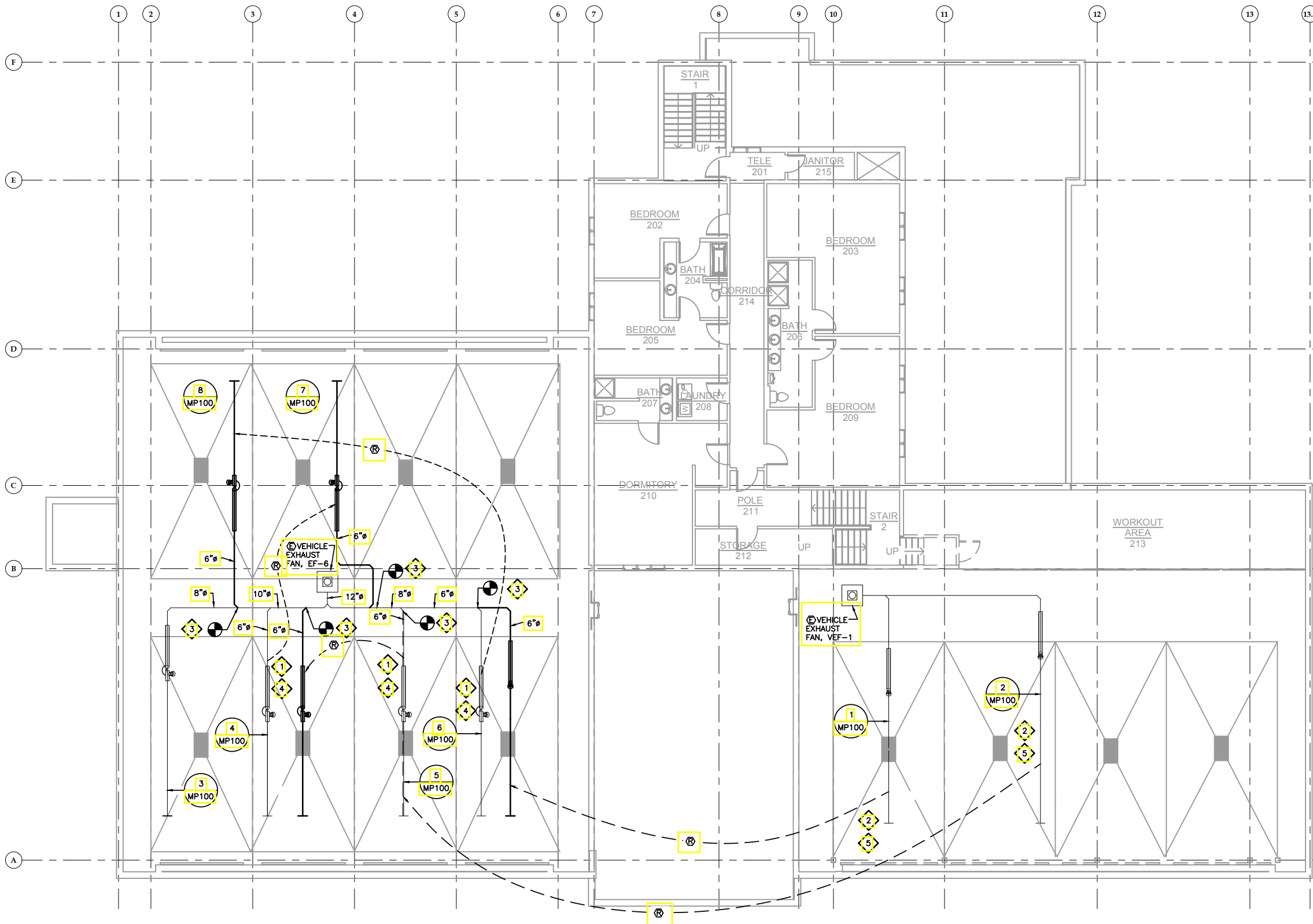
SHEET TITLE
**2ND FLOOR PLAN
 DEMOLITION**

DATE: MAY 2016
 FILE: 15034/10-336

MD102

1 2ND FLOOR PLAN DEMOLITION





DEMOLITION NOTES:

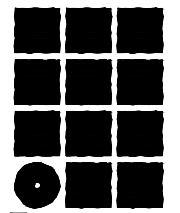
- 1. CONTRACTOR TO RETAIN AND REUSE FOR TEMPORARY RELOCATED ARFF VEHICLES AND FOR FINAL ARFF VEHICLE LOCATION.
- 2. REMOVE ENTIRE VEHICLE EXHAUST SYSTEM INCLUDING RAILING SYSTEM AND SUPPORTS, RAIL ACCESSORIES, AND ACCOMPANYING DUCTWORK.
- 3. ADD NEW DUCTWORK AND TRANSITION FOR CONNECTION TO EXISTING VEHICLE EXHAUST AIR DUCTWORK.
- 4. RETURN VEHICLE EXHAUST SYSTEM FROM TEMPORARY LOCATION TO ORIGINAL LOCATION. SUPPORT AND RECONNECT DUCTWORK AND ACCESSORIES AS REQUIRED. TEST SYSTEM.
- 5. AFTER USE AS TEMPORARY SYSTEM RETURN EXHAUST SYSTEM, RAIL AND ACCESSORIES TO OWNER.

SHEET NOTES:

- 1. REMOVE ALL MECHANICAL SYSTEMS UNLESS OTHERWISE NOTED. SYSTEMS SHOWN ARE FROM PREVIOUS CONSTRUCTION DRAWINGS AND AS-BUILT CONDITIONS. NOT ALL PIPING, DUCTWORK, OR EQUIPMENT IS SHOWN. EXCEPT WHERE SPECIFICALLY NOTED TO REMAIN, ALL MECHANICAL SYSTEMS NOT SHOWN AS EXISTING SHALL BE REMOVED, WHETHER SHOWN OR NOT. REMOVAL OF SYSTEMS SHALL BE COMPLETE INCLUDING ALL HANGERS, RODS, SUPPORTS, CONCRETE PADS AND ACCESSORIES.
- 2. COORDINATE WITH OWNER FOR RELOCATION OF EXHAUST SYSTEMS AND ACTUAL TRUCK CONFIGURATION.

1 OVERALL TEMPORARY VEHICLE EXHAUST SYTEM

SCALE: 0 4' 8' 16'



**Jensen
Yorba
Lott
Inc.**

522 West 10th Street
Juneau, Alaska 99801
phone 907-586-1070
fax 907-586-3959
jensenyorbalott.com

MURRAY &
ASSOCIATES P.C.
CONSULTING
ENGINEERS



Juneau International Airport
City and Borough of Juneau
**AIRCRAFT RESCUE & FIRE FIGHTING
STATION MODIFICATION**
Contract No. E16-146
AIP 3-02-0133-XXX-2016

NO.	REVISIONS

SHEET TITLE
OVERALL
TEMPORARY
VEHICLE EXHAUST
SYTEM

DATE: MAY 2016
FILE: 15034/10-336

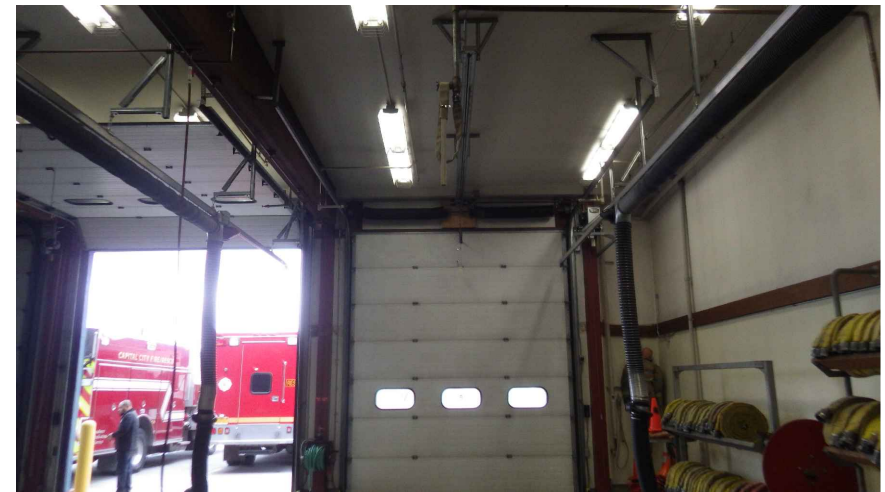
MD103



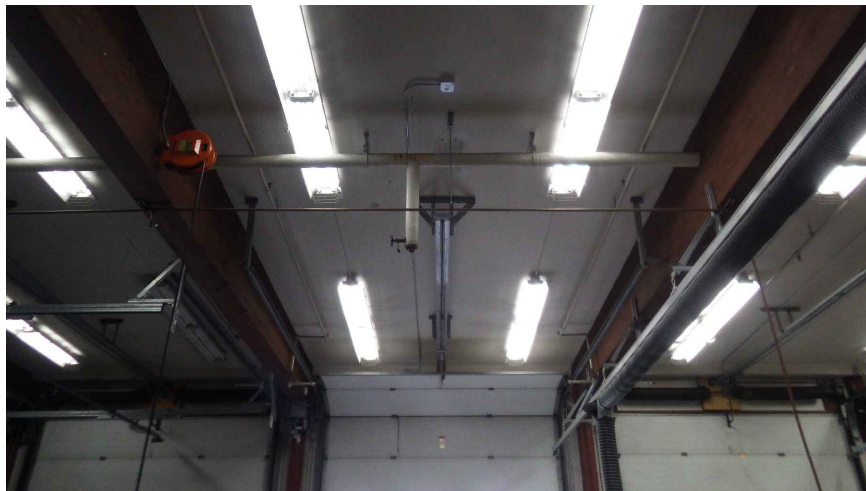
1 ARFF APPARATUS 139 - BAY 1



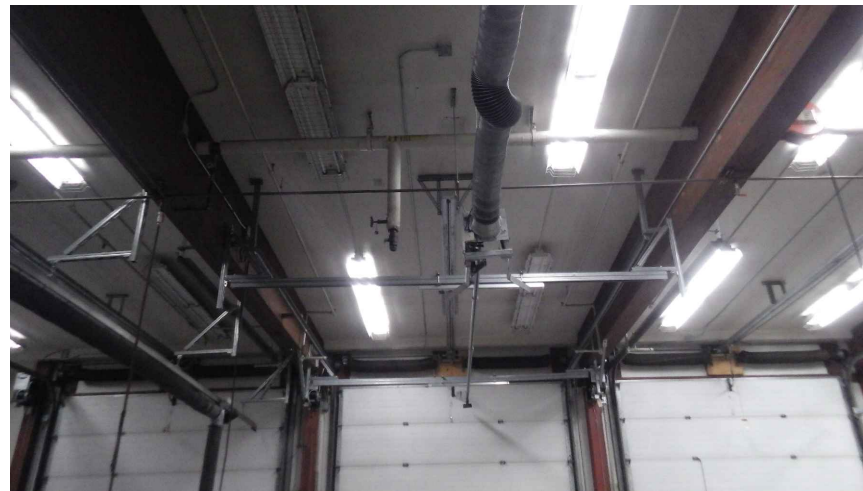
2 ARFF APPARATUS 139 - BAY 2



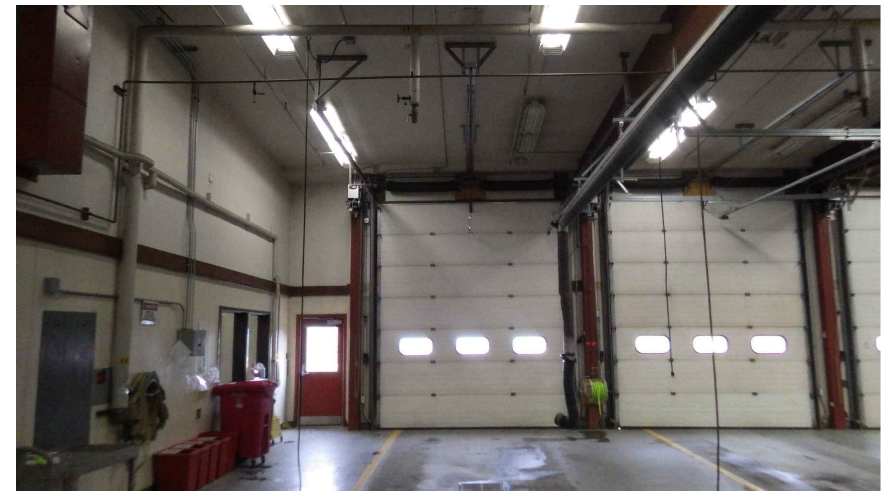
3 STRUCTURAL APPARATUS 129 - BAY 1



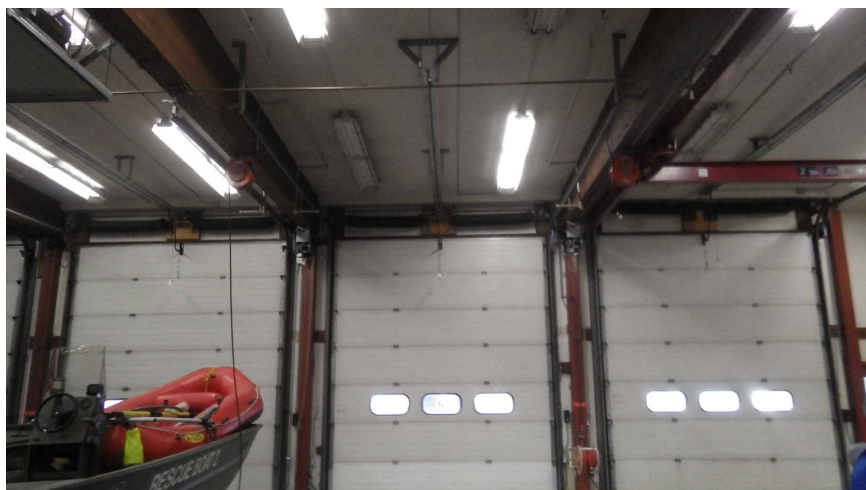
4 STRUCTURAL APPARATUS 129 - BAY 2



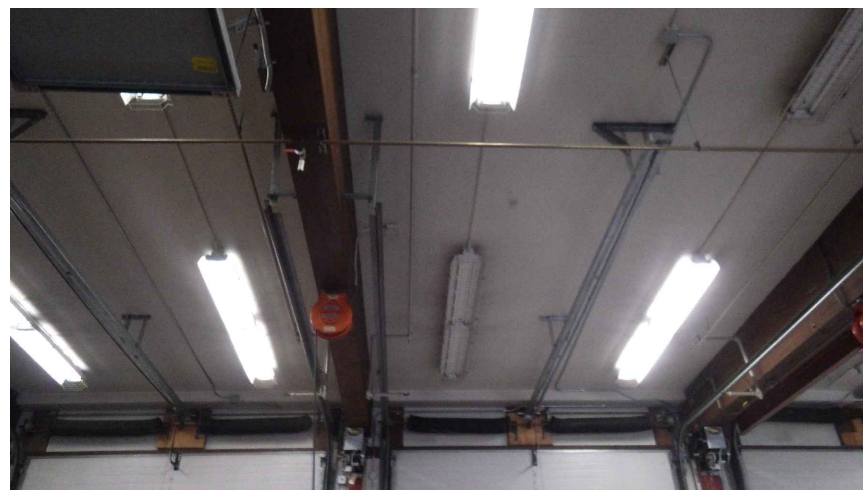
5 STRUCTURAL APPARATUS 129 - BAY 3



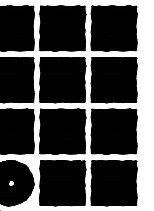
6 STRUCTURAL APPARATUS 129 - BAY 4



7 STRUCTURAL APPARATUS 129 - EAST END



8 STRUCTURAL APPARATUS 129 - EAST END



**Jensen
Yorba
Lott
Inc.**

522 West 10th Street
Juneau, Alaska 99801
phone 907-586-1070
fax 907-586-3959
jensenyorbalott.com

MURRAY &
ASSOCIATES P.C.
CONSULTING
ENGINEERS



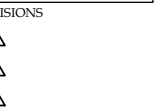
P.O. BOX 21081
JUNEAU, AK 99802
MURRAYPC.COM

TEL: 907 780-6151 FAX: 907 780-6182



Juneau International Airport
City and Borough of Juneau
**AIRCRAFT RESCUE & FIRE FIGHTING
STATION MODIFICATION**
Contract No. E16-146
AIP 3-02-0133-XXX-2016

REVISIONS



SHEET TITLE
MECHANICAL
PICTURES

DATE: MAY 2016
FILE: 15034/10-336

MP100