

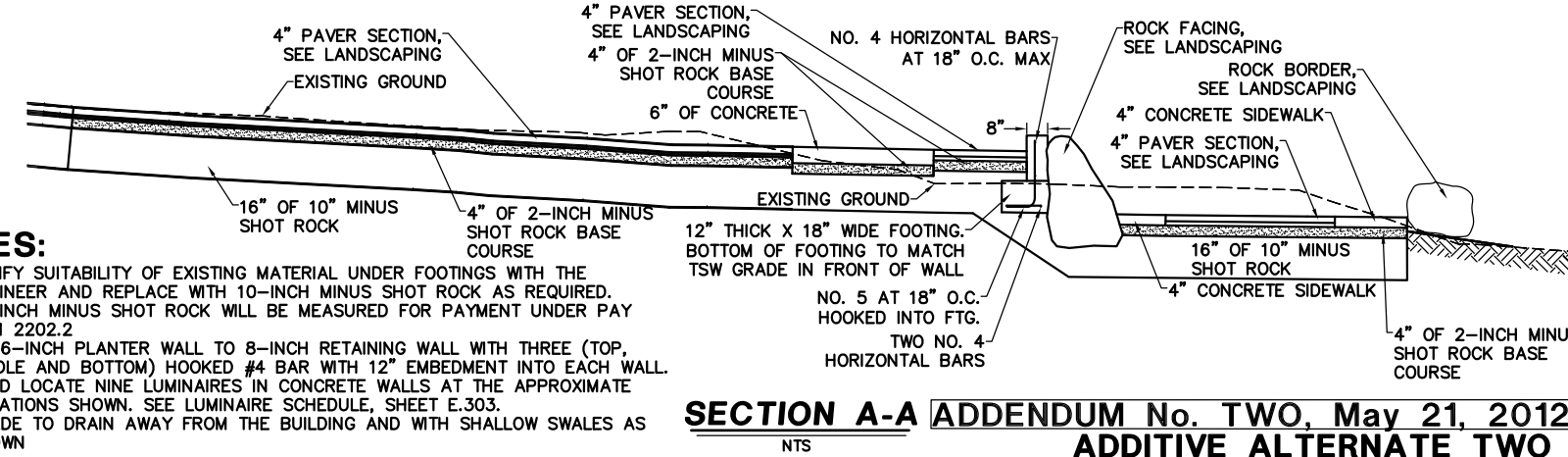
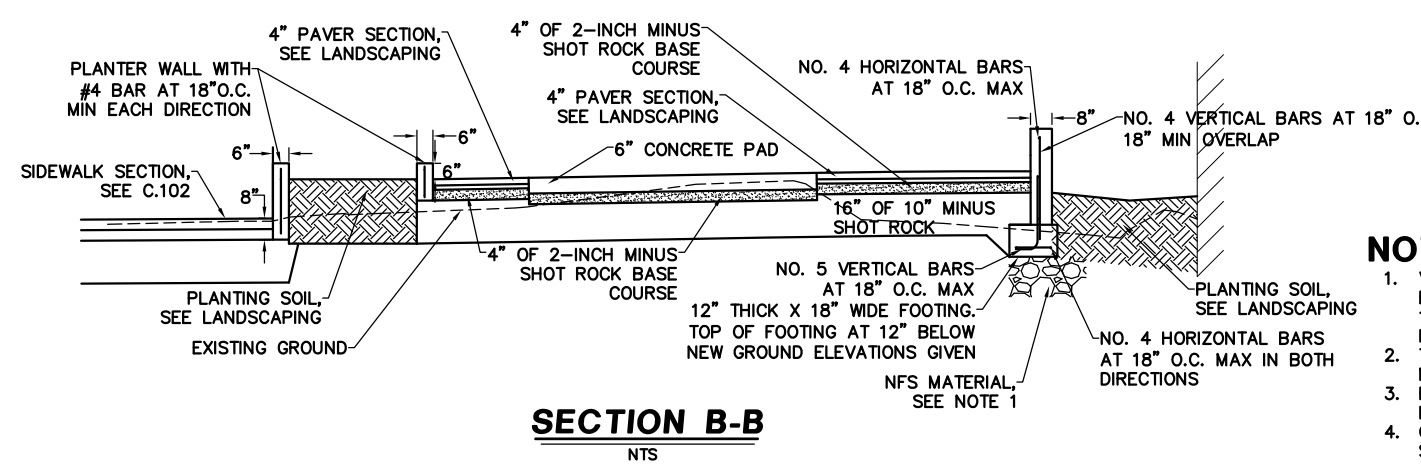
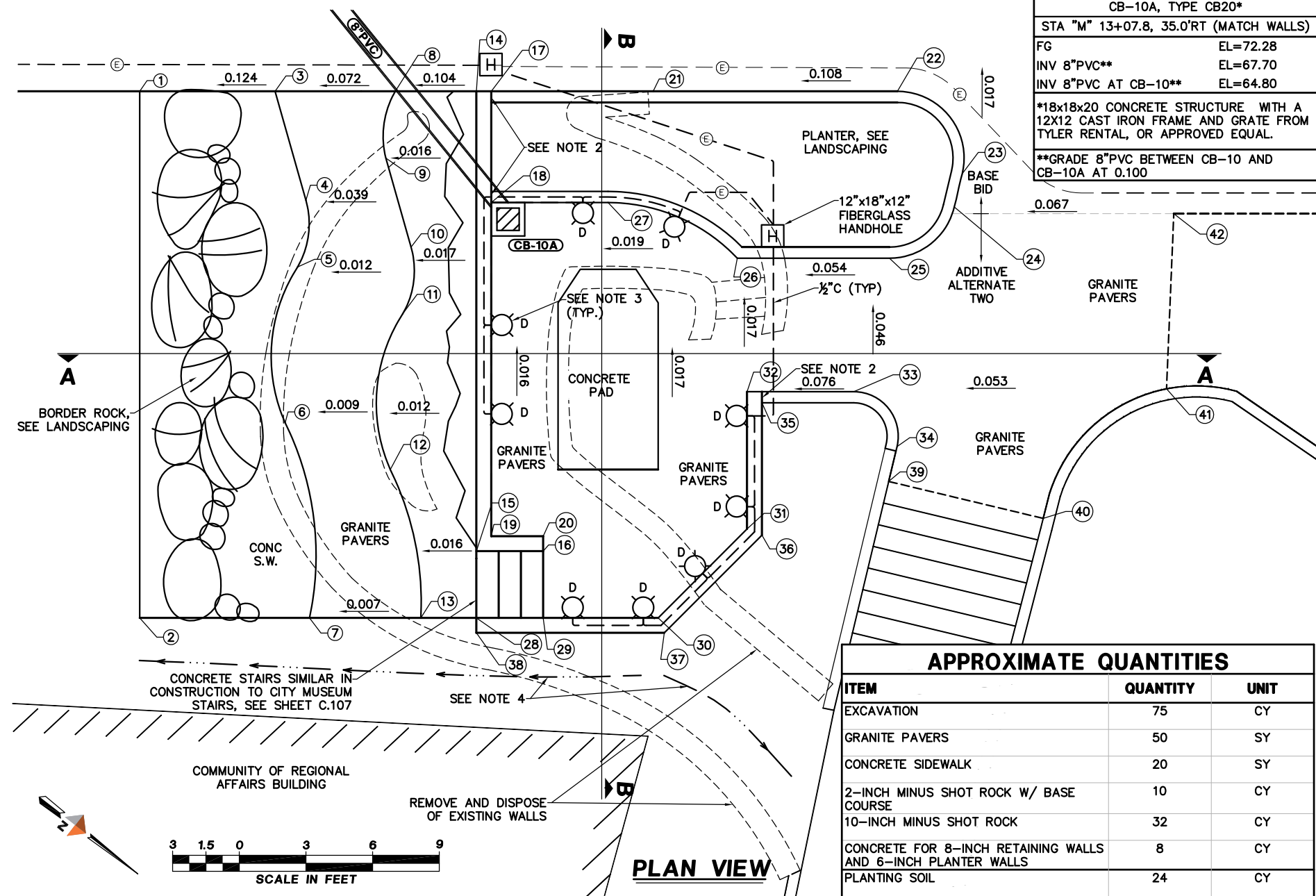
CB-10A, TYPE CB20*	
STA "M" 13+07.8, 35.0'RT (MATCH WALLS)	
FG	EL=72.28
INV 8"PVC**	EL=67.70
INV 8"PVC AT CB-10**	EL=64.80
*18"x18"x20 CONCRETE STRUCTURE WITH A 12X12 CAST IRON FRAME AND GRATE FROM TYLER RENTAL, OR APPROVED EQUAL.	
**GRADE 8"PVC BETWEEN CB-10 AND CB-10A AT 0.100	

WINDFALL FISHERMAN LAYOUT AND GRADING TABLE

POINT NUMBER	STATION	OFFSET	TOP WALL EL	TSW EL	NEW GROUND EL	OG EL	DESCRIPTION
1	12+91.20	29.00 RT		69.13	69.13	69.13	BKSW BEGIN BORDER STRIP
2	12+91.20	52.67 RT			69.61	69.61	END BORDER STRIP
3	12+97.28	29.00 RT		69.82		69.68	BEGIN EDGE CONCRETE BAND
4	12+98.67	33.90 RT		70.13		70.36	PC EDGE CONCRETE BAND
5	12+98.30	36.90 RT		70.28		70.82	PRC EDGE CONCRETE BAND
6	12+97.74	43.90 RT		70.42		71.07	PRC EDGE CONCRETE BAND
7	12+98.84	52.67 RT		70.59		70.75	AP CONCRETE BAND
8	13+02.69	29.00 RT		70.21		70.28	BEGIN EDGE CONCRETE BAND
9	13+02.27	32.00 RT		70.25		70.62	PT EDGE CONCRETE BAND
10	13+03.40	36.00 RT		70.33		71.03	PC EDGE CONCRETE BAND
11	13+03.03	39.00 RT		70.37		71.22	PRC EDGE CONCRETE BAND
12	13+02.47	46.00 RT		70.50		71.28	PRC EDGE CONCRETE BAND
13	13+03.84	52.67 RT		70.63		71.17	AP CONCRETE BAND
14	13+06.34	29.00 RT	72.74	70.59		70.62	BEGIN FACE OF 8-INCH WALL
15	13+06.34	49.67 RT	73.07	70.62		71.18	AP WALL, BOTTOM CONCRETE STAIRS
16	13+09.34	49.67 RT	73.11	72.61		71.10	END WALL, TOP CONCRETE STAIRS
17	13+07.01	29.00 RT	72.74	70.69		70.68	END WALL, BEGIN FACE 6-INCH PLANTER WALL
18	13+07.01	34.00 RT	72.82	72.32		71.02	END 6-INCH FACE PLANTER WALL
19	13+07.01	49.00 RT	73.07	72.57		71.20	AP BACK OF 8-INCH WALL
20	13+09.34	49.00 RT	73.11	72.61		71.13	END BACK OF 8-INCH WALL
21	13+14.29	29.00 RT	72.96	71.42		71.33	GRADE BREAK 6-INCH FACE PLANTER WALL
22	13+25.27	29.00 RT	73.10	72.60		72.38	PC FACE 6-INCH PLANTER WALL
23	13+28.19	32.70 RT	73.46	72.96		72.82	PT FACE 6-INCH PLANTER WALL
24	13+27.83	34.20 RT	73.41	72.91		72.86	PC FACE 6-INCH PLANTER WALL
25	13+24.91	36.50 RT	73.57	73.07		72.78	PT FACE 6-INCH PLANTER WALL
26	13+18.07	36.50 RT	73.04	72.54		72.10	AP PC FACE 6-INCH PLANTER WALL
27	13+12.26	34.00 RT	72.92	72.42		71.43	PT FACE 6-INCH PLANTER WALL
28	13+06.34	52.67 RT	73.09	70.62		71.09	BEGIN BACK 8-INCH WALL, BOTTOM CONC STAIRS
29	13+09.34	52.67 RT	73.13	72.63		70.90	BACK 8-INCH WALL, TOP CONC STAIRS, BEGIN SEAT WALL
				73.96			STEP TOP WALL AT BEGIN SEAT WALL
30	13+14.51	52.67 RT	74.05	72.72		70.61	AP BACK OF 8-INCH WALL
31	13+18.51	48.67 RT	74.10	72.77		72.14	AP BACK OF 8-INCH WALL
32	13+18.51	42.50 RT	74.01	72.68		72.96	END BACK OF 8-INCH WALL, END SEAT WALL
33	13+23.31	42.50 RT	74.38	73.05		73.15	PC FACE 6-INCH PLANTER WALL
34	13+25.25	44.97 RT	73.87	73.37		73.36	PT FACE 6-INCH PLANTER WALL
35	13+19.18	43.00 RT	73.65		73.25	72.95	BEGIN BACK OF 6-INCH PLANTER WALL
36	13+19.18	48.95 RT	74.10		71.77	72.34	AP FACE OF 8-INCH WALL
37	13+14.79	53.34 RT	74.05		71.72	70.54	AP FACE OF 8-INCH WALL
38	13+06.34	53.34 RT	73.09		70.62	71.07	BEGIN FACE OF 8-INCH WALL
39	13+24.88	46.53 RT		73.40		73.40	MTE TOP STEP
40	13+31.82	48.20 RT		73.40		73.40	MTE TOP STEP
41	13+37.37	42.37 RT		73.90		73.90	MTE AT CONTRACTION JOINT
42	13+37.70	34.50 RT		73.65		73.65	MTE AT CONTRACTION JOINT

APPROXIMATE QUANTITIES

ITEM	QUANTITY	UNIT
EXCAVATION	75	CY
GRANITE PAVERS	50	SY
CONCRETE SIDEWALK	20	SY
2-INCH MINUS SHOT ROCK W/ BASE COURSE	10	CY
10-INCH MINUS SHOT ROCK	32	CY
CONCRETE FOR 8-INCH RETAINING WALLS AND 6-INCH PLANTER WALLS	8	CY
PLANTING SOIL	24	CY



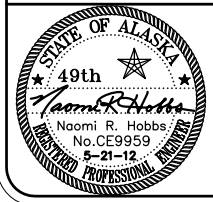
NOTES:

1. VERIFY SUITABILITY OF EXISTING MATERIAL UNDER FOOTINGS WITH THE ENGINEER AND REPLACE WITH 10-INCH MINUS SHOT ROCK AS REQUIRED. 10-INCH MINUS SHOT ROCK WILL BE MEASURED FOR PAYMENT UNDER PAY ITEM 2202.2
2. TIE 6-INCH PLANTER WALL TO 8-INCH RETAINING WALL WITH THREE (TOP, MIDDLE AND BOTTOM) HOOKED #4 BAR WITH 12" EMBEDMENT INTO EACH WALL.
3. FIELD LOCATE NINE LUMINAIRES IN CONCRETE WALLS AT THE APPROXIMATE LOCATIONS SHOWN. SEE LUMINAIRE SCHEDULE, SHEET E.303.
4. GRADE TO DRAIN AWAY FROM THE BUILDING AND WITH SHALLOW SWALES AS SHOWN

ADDENDUM No. TWO, May 21, 2012

ADDITIVE ALTERNATE TWO

S:\LIB\J70456 Upper Main\050 Design Drawings\J70456 11 BEAR.dwg 2012-5-21 10:23:19



DOWL HKM

Consulting Engineers • Land Surveyors • Construction Administration

5368 Commercial Blvd.
Juneau, Alaska 99801
(907) 780-3533 Office
(907) 780-3535 Fax

JOB NO: J70456 DRAWN BY: STAFF DESIGNED BY: T. LOCKHART CHECKED BY: N. HOBBS DATE: APRIL 2012

CITY/BOROUGH OF JUNEAU

ALASKA'S CAPITAL CITY

DEPARTMENT OF ENGINEERING

MAIN STREET IMPROVEMENTS

SECOND TO FIFTH STREET

CONTRACT NO. E12-167

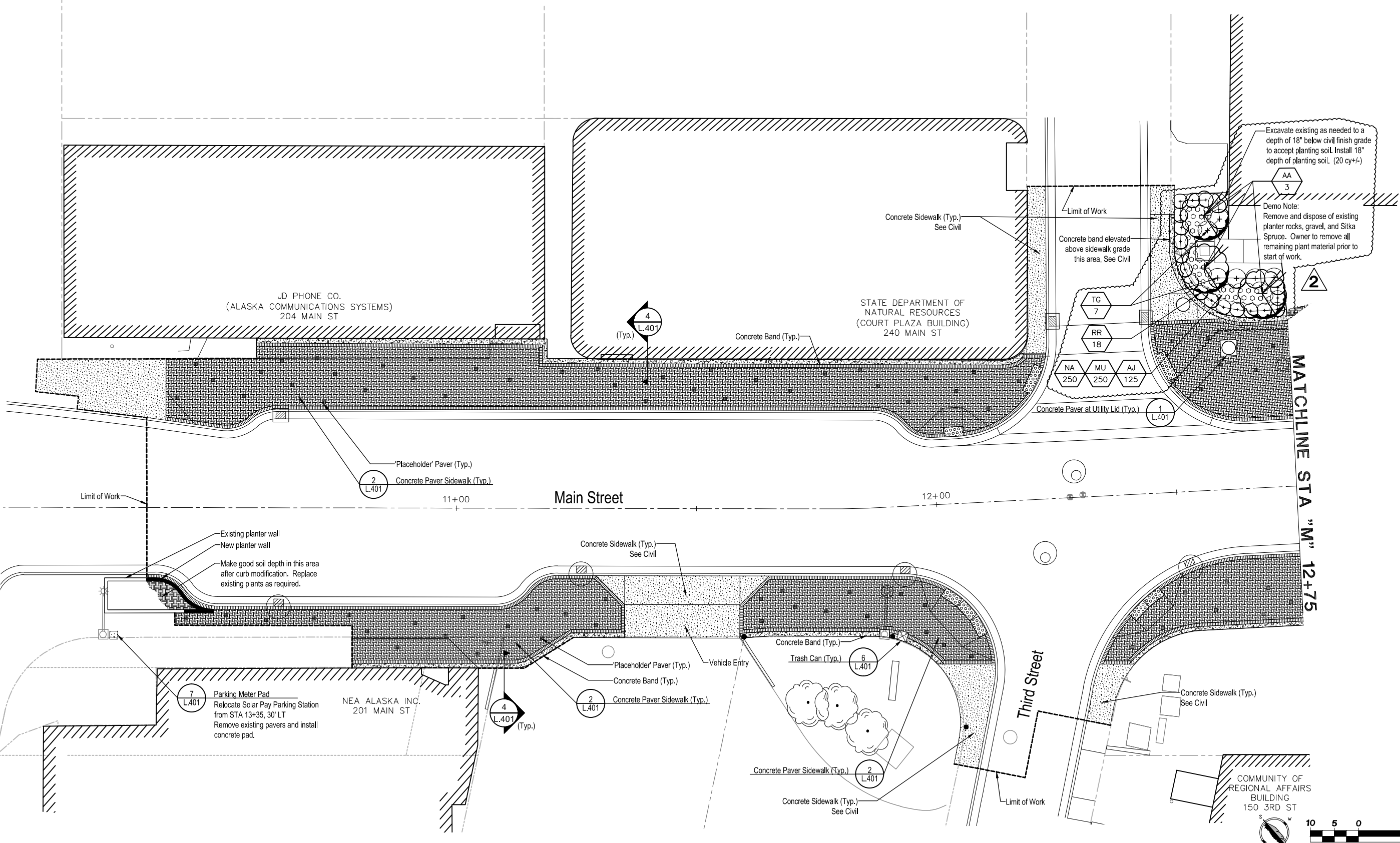
WINDFALL FISHERMAN

PLAN AND DETAILS

SHEET NO.

C.108

11 OF 44



ADDENDUM No. TWO, May 21, 2012



Corvus Design
 Landscape Architecture
 www.corvus-design.com
 Anchorage - 907.222.2859
 2506-B Fairbanks St. 99503
 Juneau - 907.988.9000
 119 Seward St. 99801



CITY/BOROUGH OF JUNEAU
 ALASKA'S CAPITAL CITY
 DEPARTMENT OF ENGINEERING

**MAIN STREET IMPROVEMENTS
 SECOND TO FIFTH STREET
 CONTRACT NO. E12-167**

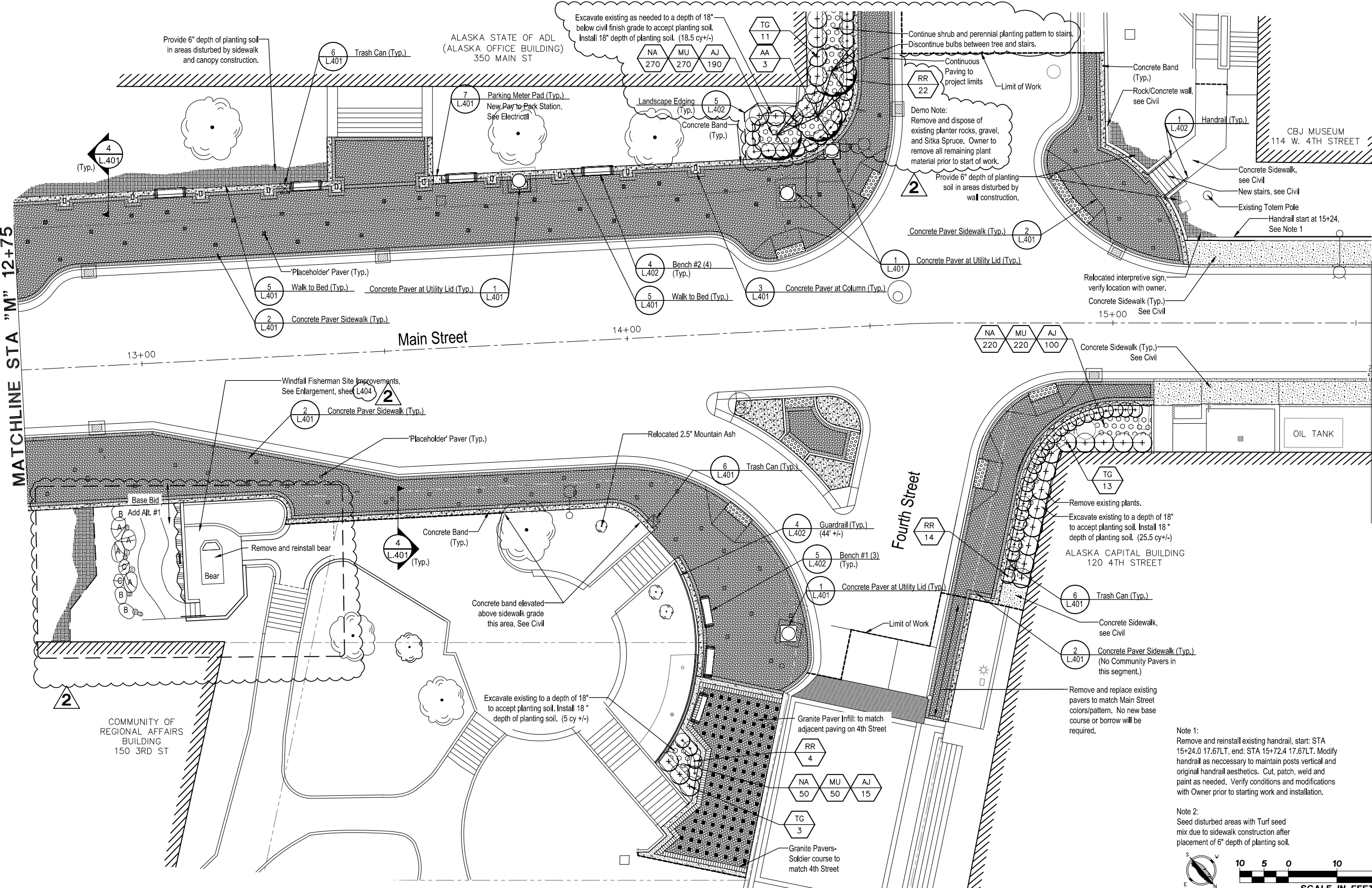
**LANDSCAPE LAYOUT
 PLAN - MAIN STREET
 B.O.P TO STA "M" 12+75**

SHEET NO.
L.101
 24 of 44

JOB NO: J70456 DRAWN BY: NF DESIGNED BY: CM CHECKED BY: CM DATE: MAY 18, 2012

MATCHLINE STA "M" 12+75

MATCHLINE STA "M" 15+26



Note 1:
Remove and reinstall existing handrail, start: STA 15+24.0 17.67LT, end: STA 15+72.4 17.67LT. Modify handrail as necessary to maintain posts vertical and original handrail aesthetics. Cut, patch, weld and paint as needed. Verify conditions and modifications with Owner prior to starting work and installation.

Note 2:
Seed disturbed areas with Turf seed mix due to sidewalk construction after placement of 6" depth of planting soil.



ADDENDUM No. TWO, May 21, 2012



Corvus Design
Landscape Architecture
www.corvus-design.com
Anchorage - 907.222.2859
2506-B Fairbanks St. 99503
Juneau - 907.988.9000
119 Seward St. 99801



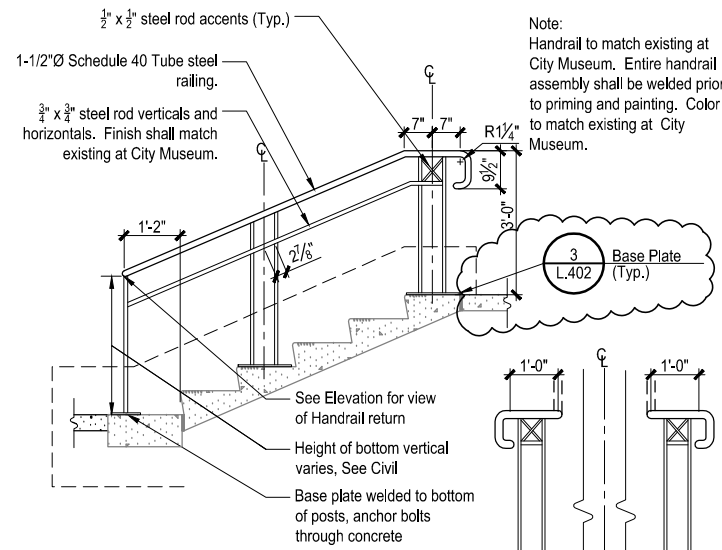
CITY/BOROUGH OF JUNEAU
ALASKA'S CAPITAL CITY
DEPARTMENT OF ENGINEERING

**MAIN STREET IMPROVEMENTS
SECOND TO FIFTH STREET
CONTRACT NO. E12-167**

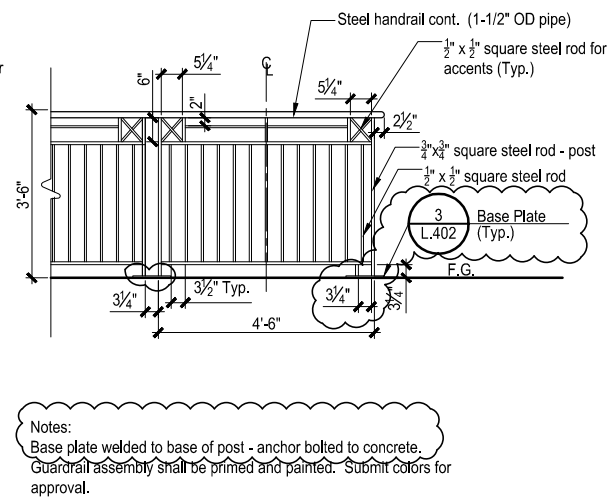
**LANDSCAPE LAYOUT
PLAN - MAIN STREET
STA "M" 12+75 TO STA "M" 15+26**

SHEET NO.
L.102
25 of 44

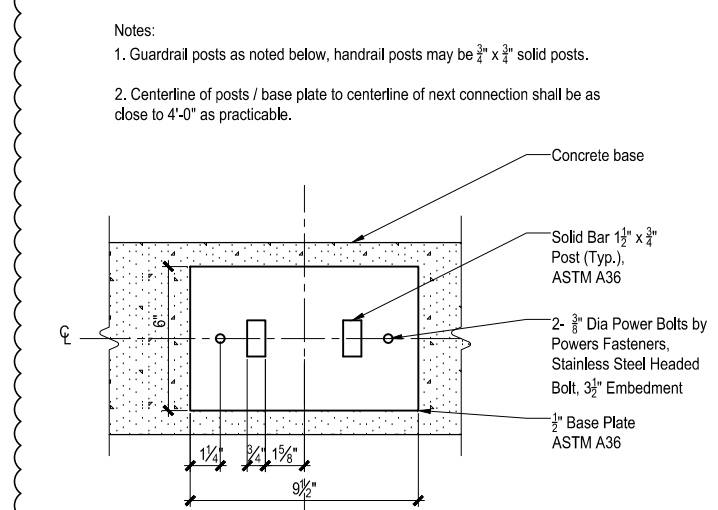
JOB NO: J70456 DRAWN BY: NF DESIGNED BY: CM CHECKED BY: CM DATE: MAY 18, 2012



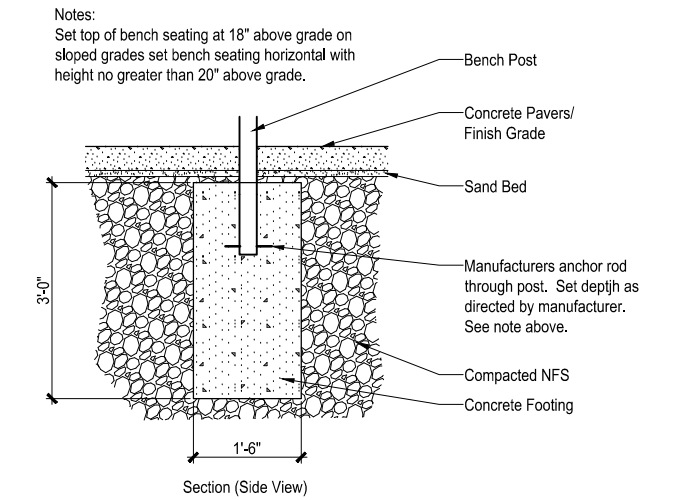
1 Stair - Handrail
L.402 SCALE: NTS dt-stair-rail.dwg



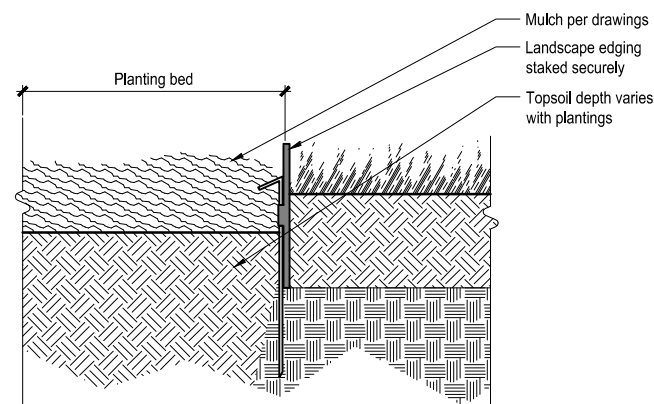
2 Guardrail
L.402 SCALE: NTS dt-rail-guard.dwg



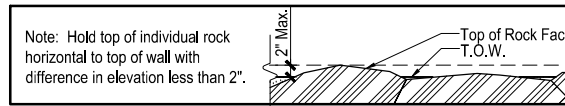
3 Base Plate (Typ.)
L.402 SCALE: NTS dt-stair-rail-base.dwg



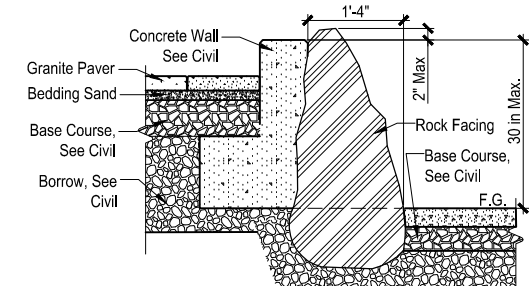
4 Bench - Embedded
L.402 SCALE: NTS dt-furn-bnch-emb.dwg



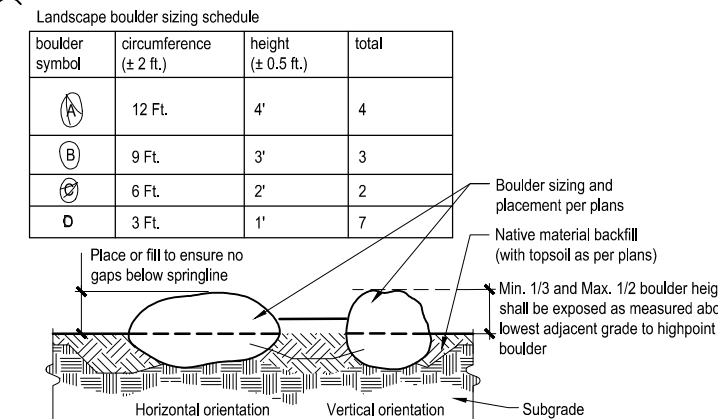
5 Landscape Edging
L.402 SCALE: NTS dt-phl-edgr.dwg



- Note:
- 1) Boulders for wall shall be selected with a naturally flat face at back.
 - 2) Use and place boulders to eliminate visual gaps between individual boulders to create appearance of one boulder along entire wall face.
 - 3) Grind and shape boulders as needed for integrating boulders as described. Remove all sharp and dangerous edges.
 - 4) Boulders shall be approved by owner's representative and pre-assembled prior to installation.



6 Wall - Rock Facing
L.402 SCALE: NTS dt-wall-rkto-sect.dwg



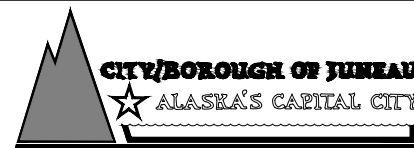
7 Landscape Boulders
L.402 SCALE: NTS dt-bltd-mult-sched.dwg

2

ADDENDUM No. TWO, May 21, 2012



Landscape Architecture
www.corvus-design.com
Anchorage - 907.222.2859
2506-B Fairbanks St. 99503
Juneau - 907.988.9000
119 Seward St. 99801



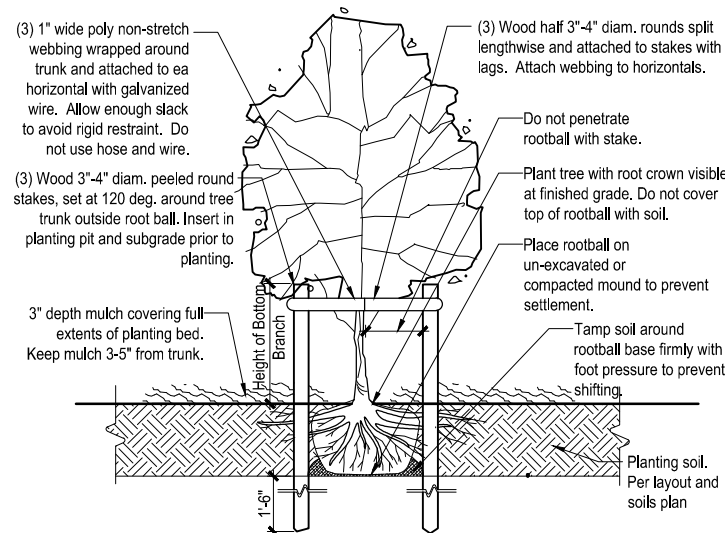
DEPARTMENT OF ENGINEERING

MAIN STREET IMPROVEMENTS
SECOND TO FIFTH STREET
CONTRACT NO. E12-167

LANDSCAPE DETAILS
MAIN STREET

SHEET NO.
L.402
27A
of
44

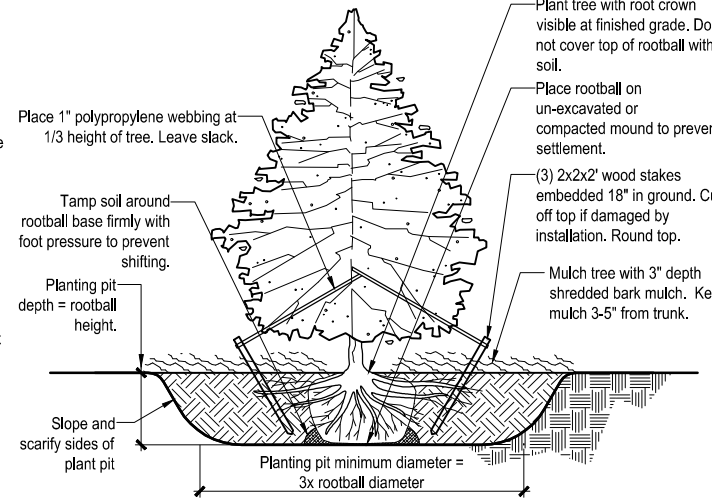
JOB NO: J70456 DRAWN BY: NF DESIGNED BY: CM CHECKED BY: CM DATE: MAY 18, 2012



1 Deciduous Tree Planting - Staked

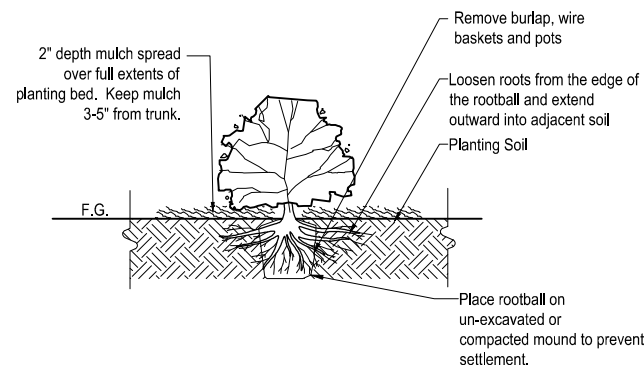
L.403 SCALE: 3/4"=1'-0" dt-tree-decid-stak.dwg

Notes: 1) to prevent settlement, thoroughly water planting soil while backfilling, 2) do not fertilize at time of installation, and 3) as appropriate, remove all pots, twine, wire and top half of burlap from rootball. 4) Cut wire basket in four places and fold back and 8" down into planting hole.



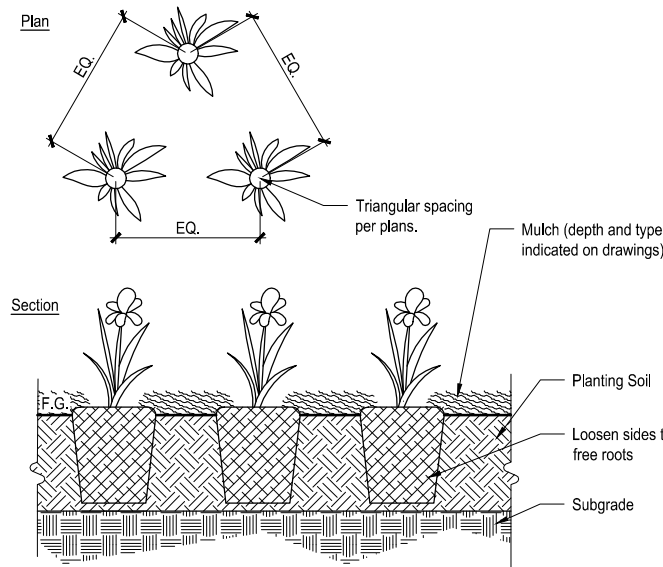
2 Evergreen Tree Planting - Staked

L.403 SCALE: 3/4"=1'-0" dt-tree-evgn-stak.dwg



3 Shrub Planting

L.403 SCALE: NTS dt-shrub.dwg



4 Perennial Planting

L.403 SCALE: NTS dt-plant-pere.dwg

Planting Schedule

Evergreen Trees See 2/L.403

Total	Symbol	Label	Latin Name	Common Name	Size	Furnished	Notes
3		CN	Cupressus nootkatensis 'Pendula'	Weeping Alaska Yellow Cedar	12'	B&B	Single stem

Deciduous Trees See 1/L.403

Total	Symbol	Label	Latin Name	Common Name	Size	Furnished	Notes
7		AA	Amelanchier arborea 'Autumn Brilliance'	Autumn Sunset Serviceberry	12'	CG	Multi stem
2		AC	Acer circinatum	Vine Maple	12'	CG	Multi stem

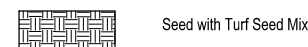
Shrubs See 3/L.403

Total	Symbol	Label	Latin Name	Common Name	Size	Furnished	Notes
58		RR	Rhododendron x Ramapo	Ramapo Rhododendron	2 gal	Potted	2' o.c.
34		TG	Taxus x media 'Gwen'	Gwen Yew	5 gal	Potted	3' o.c.
7		VC	Vaccinium ovalifolium	Oval-leaf Blueberry	2 gal	Potted	Native
4		OH	Opiopanax horridus	Devil's Club	2 gal	Potted	Native
4		MF	Menziesia ferruginea	False Azalea	2 gal	Potted	Native

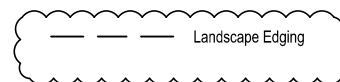
Perennials, Bulbs, & Ferns See 4/L.403

Total	Symbol	Label	Latin Name	Common Name	Size	Furnished	Notes
430		AJ	Astilbe japonica 'Red Sentinel'	Red Sentinel Astilbe	1 gal	Potted	Triangular spacing. 12" o.c.
790		MU	Muscari armeniacum	Grape Hyacinth	#1	Landscape Bulb	Triangular spacing. 6" o.c.
790		NA	Narcissus 'King Alfred'	King Alfred Daffodil	#1	Landscape Bulb	Triangular spacing. 6" o.c.
81		AB	Astilbe x arendsii 'Bridal Veil'	Astilbe 'Bridal Veil'	1 gal	Potted	Triangular spacing. 12" o.c.
1055		CC	Cornus canadensis	Bunchberry	4 inch	Potted	Triangular spacing. 6" o.c.
1055		HS	Hypnum subimponens	Curly Hypnum Moss	4 inch	Potted	Or Approved equal. Triangular spacing. 6" o.c.
9		HM	Hakonechloa macra 'Red Wind / Beni Kaze'	Red Japanese Forest Grass	1 gal	Potted	Triangular spacing. 12" o.c.
538		PC	Polytrichum commune	Common Haircap Moss	4 inch	Potted	Or Approved Equal. Triangular spacing. 4" o.c.
12		AP	Adiantum pedatum	Northern Maidenhair Fern	1 gal	Potted	Triangular spacing, 5 fronds min./pot
23		BS	Blechnum spicant	Deer Fern	1 gal	Potted	Triangular spacing, 5 fronds min./pot
18		AF	Athyrium filix-femina	Lady Fern	1 gal	Potted	Triangular spacing, 5 fronds min./pot
6		PA	Polystichum acrostichides	Christmas Fern	1 gal	Potted	Triangular spacing, 5 fronds min./pot

Miscellaneous

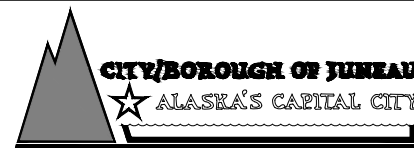


Seed with Turf Seed Mix



Landscape Edging

ADDENDUM No. TWO, May 21, 2012



MAIN STREET IMPROVEMENTS
SECOND TO FIFTH STREET
CONTRACT NO. E12-167

LANDSCAPE DETAILS
MAIN STREET

SHEET NO.
L.403
27B
of
44