

**Corvus Design**  
 Landscape Architecture  
 www.corvus-design.com  
 Anchorage - 907.222.2859  
 2506-B Fairbanks St. 99503  
 Juneau - 907.988.9000  
 119 Seward St. 99801



**CITY/BOROUGH OF JUNEAU**  
 ALASKA'S CAPITAL CITY  
 DEPARTMENT OF ENGINEERING

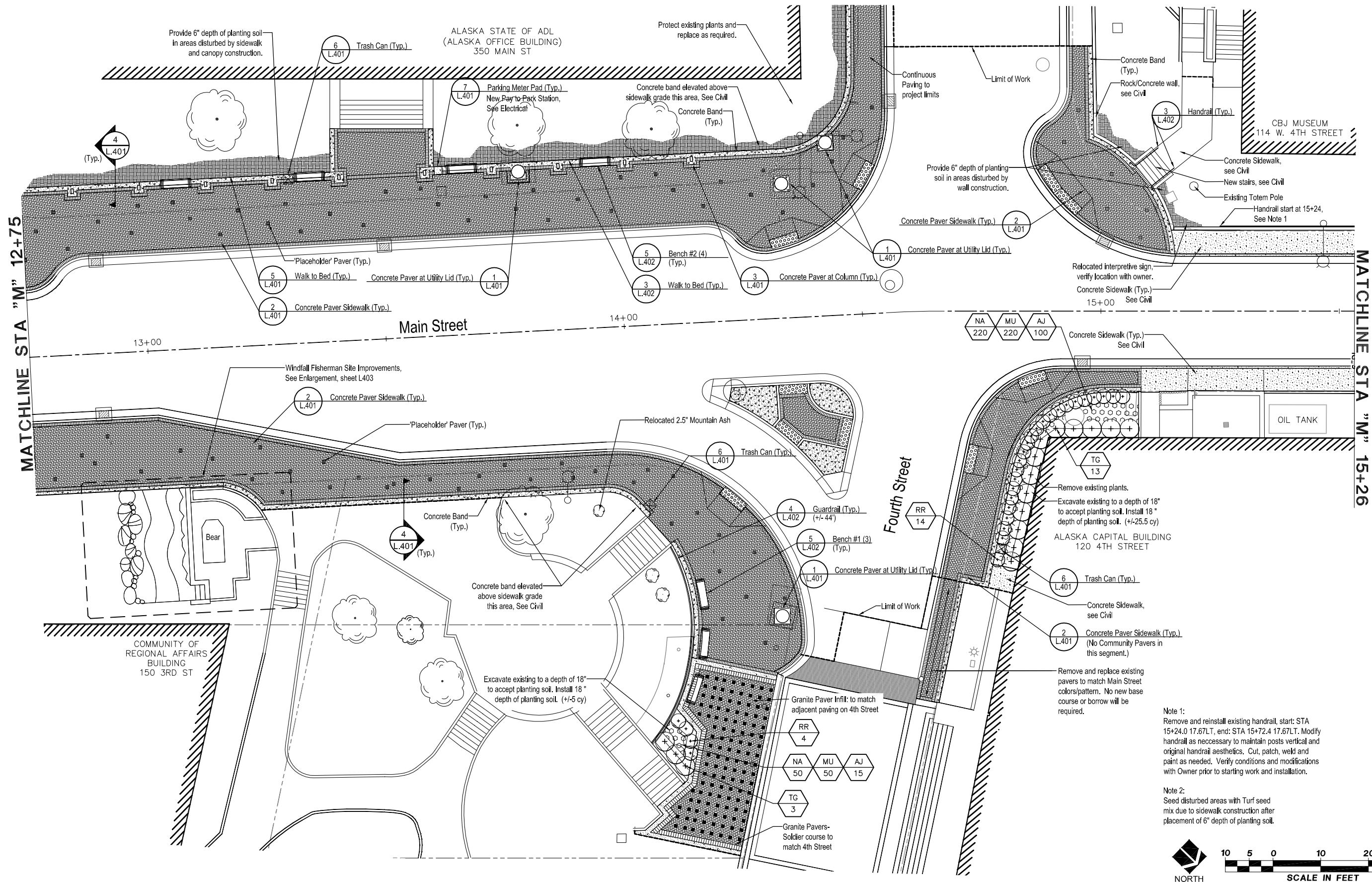
**MAIN STREET IMPROVEMENTS  
 SECOND TO FIFTH STREET  
 CONTRACT NO. E12-167**

**LANDSCAPE LAYOUT  
 PLAN - MAIN STREET  
 B.O.P TO STA "M" 12+75**

SHEET NO.  
**L.101**  
 24  
 of  
 44

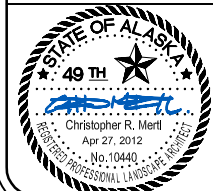
JOB NO: J70456 DRAWN BY: NF DESIGNED BY: CM CHECKED BY: CM DATE: APR. 27 2012





**Note 1:**  
Remove and reinstall existing handrail, start: STA 15+24.0 17.67LT, end: STA 15+72.4 17.67LT. Modify handrail as necessary to maintain posts vertical and original handrail aesthetics. Cut, patch, weld and paint as needed. Verify conditions and modifications with Owner prior to starting work and installation.

**Note 2:**  
Seed disturbed areas with Turf seed mix due to sidewalk construction after placement of 6" depth of planting soil.



**Corvus Design**  
Landscape Architecture  
www.corvus-design.com  
Anchorage - 907.222.2859  
2506-B Fairbanks St. 99503  
Juneau - 907.988.9000  
119 Seward St. 99801



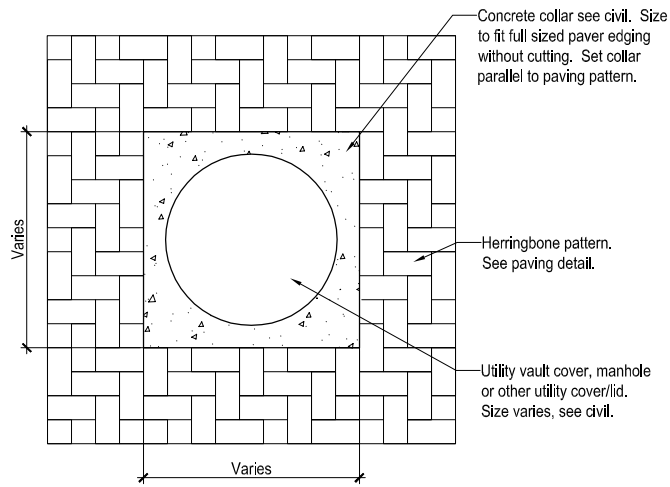
**CITY/BOROUGH OF JUNEAU**  
ALASKA'S CAPITAL CITY  
DEPARTMENT OF ENGINEERING

**MAIN STREET IMPROVEMENTS  
SECOND TO FIFTH STREET  
CONTRACT NO. E12-167**

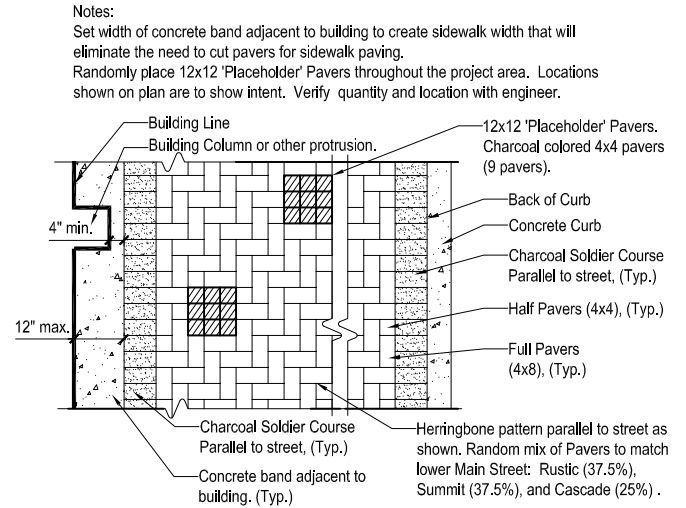
**LANDSCAPE LAYOUT  
PLAN - MAIN STREET  
STA "M" 12+75 TO STA "M" 15+26**

SHEET NO.  
**L.102**  
**25** of **44**

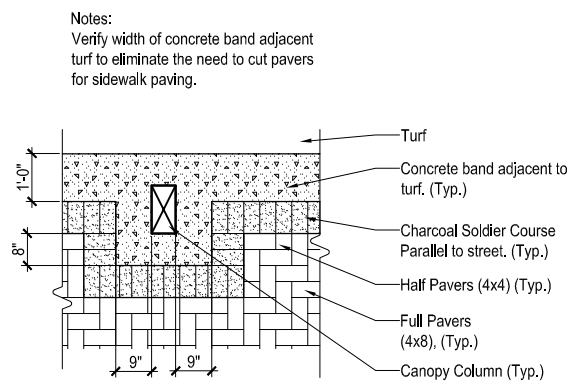
JOB NO: J70456 DRAWN BY: NF DESIGNED BY: CM CHECKED BY: CM DATE: APR. 27 2012



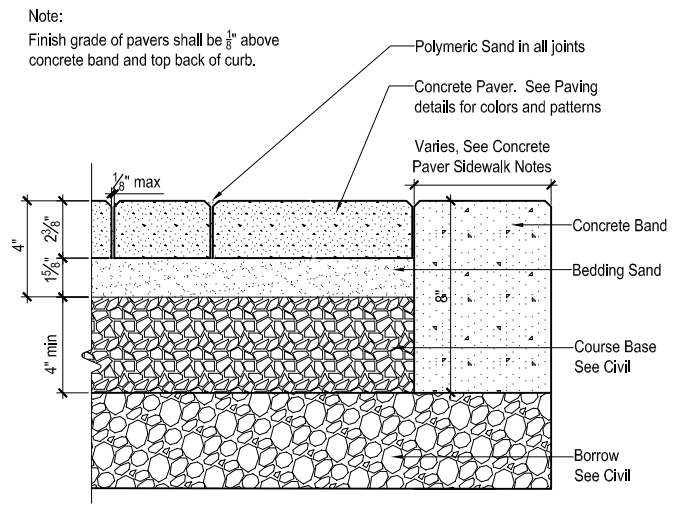
**1 Concrete Paver at Utility Lid**  
 SCALE: NTS  
 dt-pvmt-pavr-util.dwg



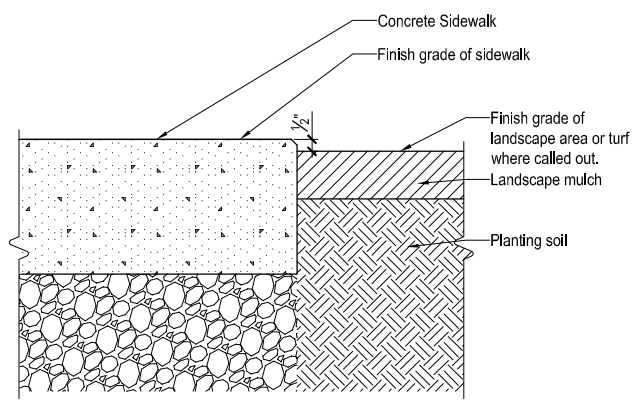
**2 Concrete Paver Sidewalk**  
 SCALE: NTS  
 dt-pvmt-pavr-plan.dwg



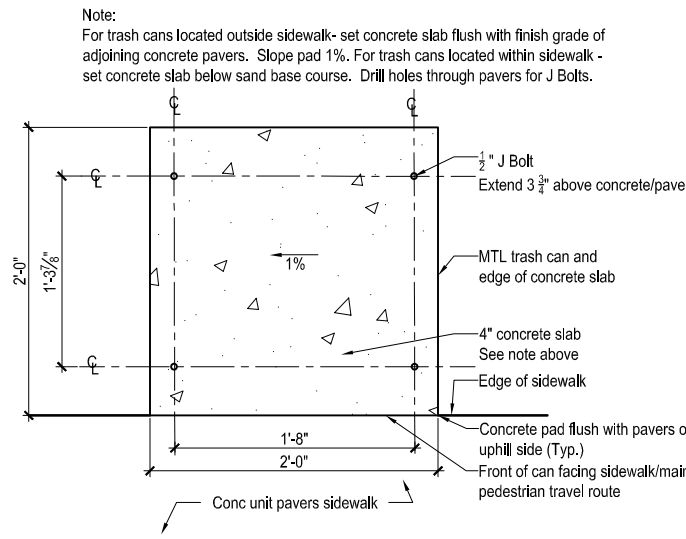
**3 Concrete Paver at Column**  
 SCALE: NTS  
 dt-pvmt-pavr-dmn.dwg



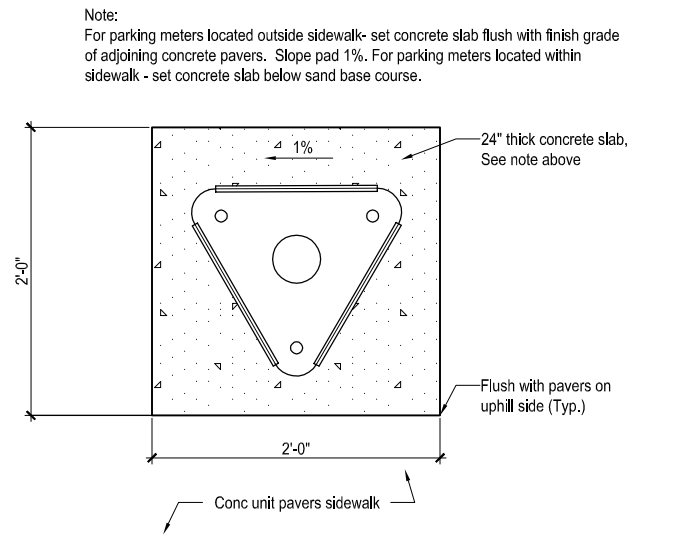
**4 Paving Section**  
 SCALE: NTS  
 dt-pvmt-pavr-sect.dwg



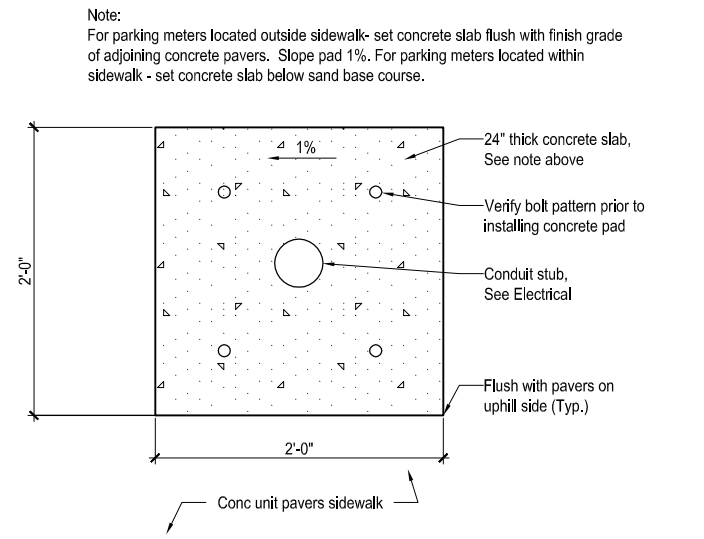
**5 Walk to Bed**  
 SCALE: NTS  
 dt-pvmt-conc-bed.dwg



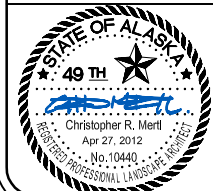
**6 Trash Can**  
 SCALE: NTS  
 dt-furn-trsh.dwg



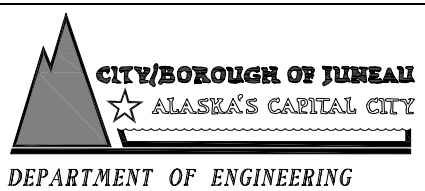
**7 Parking Meter Pad - Solar**  
 SCALE: NTS  
 dt-Conc-PkgM-Pad.dwg



**8 Parking Meter Pad - Hardwire**  
 SCALE: NTS  
 dt-Conc-PkgM-PadH.dwg



JOB NO: J70456 DRAWN BY: NF DESIGNED BY: CM CHECKED BY: CM DATE: APR. 27 2012

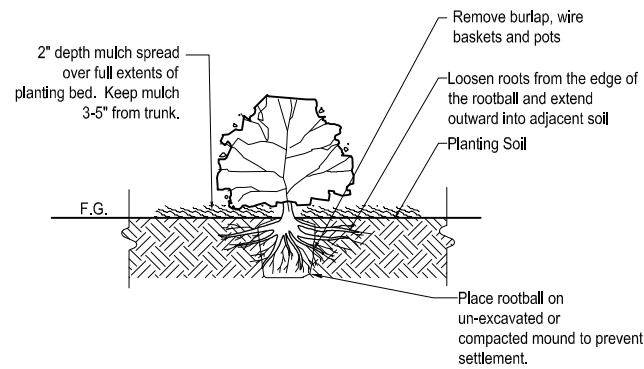


**MAIN STREET IMPROVEMENTS  
 SECOND TO FIFTH STREET  
 CONTRACT NO. E12-167**

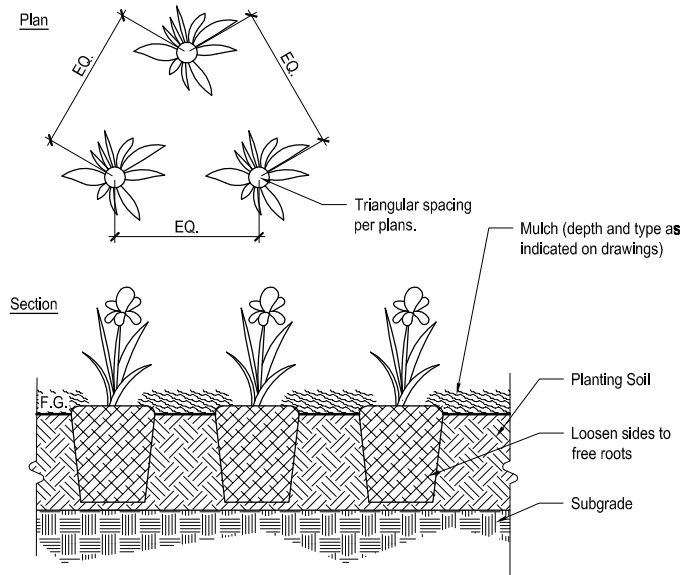
**LANDSCAPE DETAILS  
 MAIN STREET**

SHEET NO.  
**L.401**  
 26 of 44

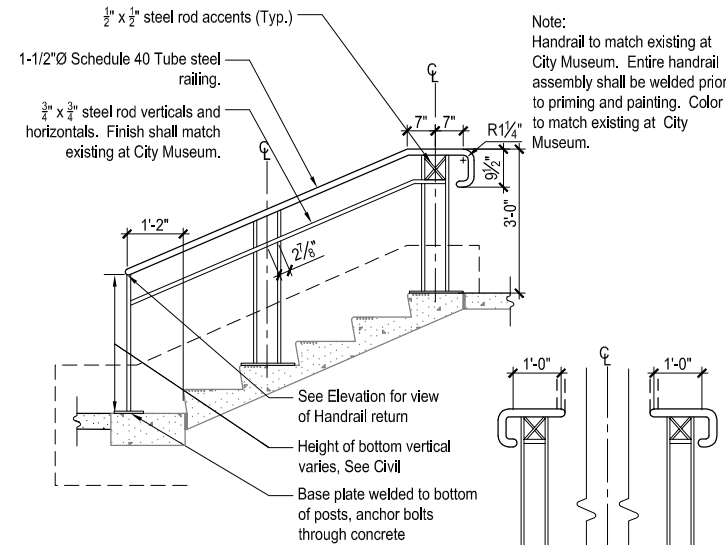




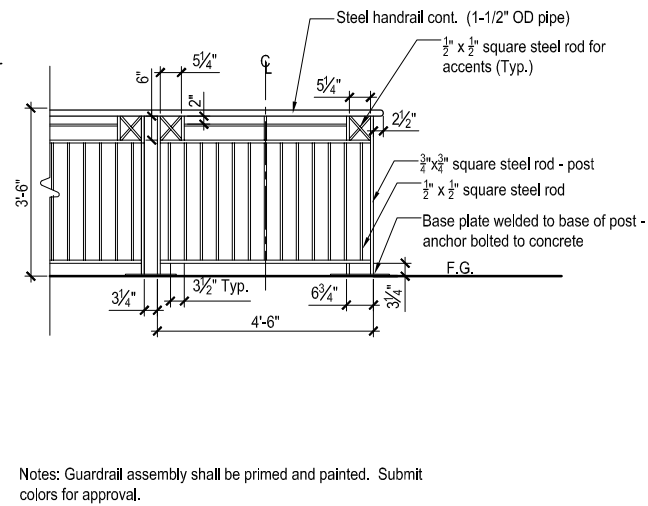
**1**  
L.402  
**Shrub Planting**  
SCALE: NTS  
dt-shrb.dwg



**2**  
L.402  
**Perennial Planting**  
SCALE: NTS  
dt-pint-pere.dwg



**3**  
L.402  
**Stair - Handrail**  
SCALE: NTS  
dt-stair-rail.dwg



**4**  
L.402  
**Guardrail**  
SCALE: NTS  
dt-rail-guard.dwg

# Planting Schedule

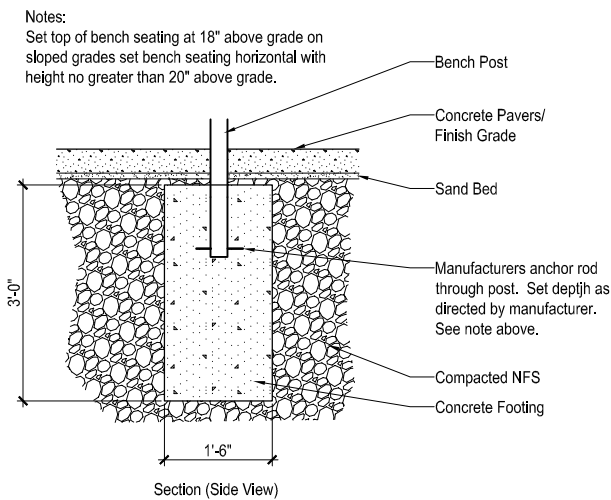
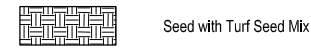
## Shrubs See 1/L.402

Total	Symbol	Label	Latin Name	Common Name	Size	Furnished	Notes
18	⊙	RR	Rhododendron x Ramapo	Ramapo Rhododendron	2 gal	Potted	2' o.c.
16	⊙	TG	Taxus x media 'Gwen'	Gwen Yew	5 gal	Potted	3' o.c.

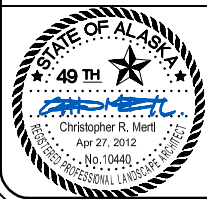
## Perennials & Bulbs See 2/L.402

	Symbol	Label	Latin Name	Common Name	Size	Furnished	Notes
115	⊙	AJ	Astilbe japonica 'Red Sentinel'	Red Sentinel Astilbe	1 gal	#1	Triangular spacing. 12" p.c.
270	⊙	MU	Muscari armeniacum	Grape Hyacinth	#1	Landscape Bulb	Triangular spacing. 6" o.c.
270	⊙	NA	Narcissus 'King Alfred'	King Alfred Daffodil	#1	Landscape Bulb	Triangular spacing. 6" o.c.

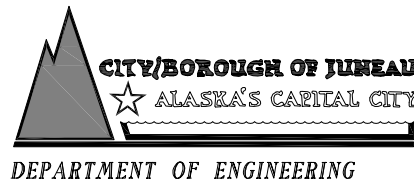
## Miscellaneous



**5**  
L.402  
**Bench - Embedded**  
SCALE: NTS  
dt-tum-bnch-emb.dwg



Landscape Architecture  
www.corvus-design.com  
Anchorage - 907.222.2859  
2506-B Fairbanks St. 99503  
Juneau - 907.988.9000  
119 Seward St. 99801



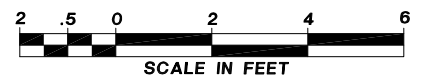
MAIN STREET IMPROVEMENTS  
SECOND TO FIFTH STREET  
CONTRACT NO. E12-167

LANDSCAPE DETAILS  
MAIN STREET

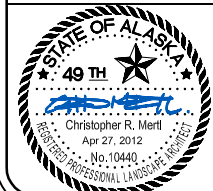
SHEET NO.  
**L.402**  
27  
of  
44



**TO BE ADDED BY ADDENDUM**



Additive Alternate Two



**Corvus Design**  
Landscape Architecture  
www.corvus-design.com  
Anchorage - 907.222.2859  
2506-B Fairbanks St. 99503  
Juneau - 907.988.9000  
119 Seward St. 99801



**CITY/BOROUGH OF JUNEAU**  
ALASKA'S CAPITAL CITY  
DEPARTMENT OF ENGINEERING

**MAIN STREET IMPROVEMENTS  
SECOND TO FIFTH STREET  
CONTRACT NO. E12-167**

**WINDFALL FISHERMAN  
SITE IMPROVEMENTS**

SHEET NO.  
**L.403**  
28  
of  
44

JOB NO: J70456 DRAWN BY: NF DESIGNED BY: CM CHECKED BY: CM DATE: APR. 27 2012