



ADDENDUM TO THE CONTRACT

for the

DOUGLAS 4TH STREET UTILITIES AND DRAINAGE Contract No. BE21-215

ADDENDUM NO.: ONE

CURRENT DEADLINE FOR BIDS:

April 13, 2021

PREVIOUS ADDENDA: NONE

ISSUED BY:

City and Borough of Juneau
ENGINEERING DEPARTMENT
155 South Seward St
Juneau, Alaska 99801

DATE ADDENDUM ISSUED:

April 2, 2021

The following items of the contract are modified as herein indicated. All other items remain the same. This addendum has been issued and is posted online. Please refer to the CBJ Engineering Contracts Division webpage at: <http://www.juneau.org/engineering-public-works>

CLARIFICATIONS:

Question: "Are you wanting the posts for the 6' fence as well as the 4' fence to be the same? Or are you wanting the corner posts to be a size bigger?"

Response: Per the Fence and Post Detail on sheet 11 of the plans the 4' posts shall be 2" O.D. pipe and the 6' posts shall be 2.5" O.D. pipe. Corner posts shall be the same size as the interior posts. The project manual has been modified per this addendum to clarify this.

Question: "Is it expected that the contractor will obtain a D.E.C. dewatering permit?"

Response: General note 4 on sheet 2 of the drawings state "The Alaska Department of Environmental Conservation (DEC) has identified contaminated sites within 1,500 feet of the project limits that are currently in "Active" or "Institutional Control" status. It is the responsibility of the contractor to consult DEC and obtain all necessary permits required to perform the work. ADEC Division of Spill Prevention and Response can be reached at 907-465-5250".

Question: "Are any other permits required for the Bear Creek culvert work?"

Response: Special Provision section 2.16(G) states CONTRACTOR is responsible for obtaining DNR Temporary Water Use Authorization (TWUA) for the WORK, including payment of permit fees and costs to meet permit requirements during the WORK.

Question: "Is the pile of recycled asphalt that used to be on Crow Hill Dr still there, and is it available for the contractor to use on this project?"

Response: If the material in the remnant stockpile meets the Recycled Asphalt Pavement specifications then it may be used in this project.

Question: “If bed rock is encountered within the limits of the Bear Creek culvert and headwall components will removal of the bed rock be paid for separately?”

Response: A geotechnical investigation was not performed as part of the Bear Creek culvert design. The elevation and alignment of the new culvert was designed to closely match the existing culvert layout. If bed rock is encountered within the Bear Creek Culvert and or headwall components the Engineer will recommend how to proceed, and the Contractor will be compensated for any modifications as additional work.

PROJECT MANUAL:

Item No. 1 **SECTION 02602 – VALVES, PART 3 – EXECUTION, Article 3.1, CONSTRUCTION, *add*** the following paragraph:

F. Butterfly valves shall be dry fit with MJ Adapter to verify the MJ Adapter has been properly machined to allow the Butterfly valve to operate freely after bolting together. The operation shall be verified by the ENGINEER and occur prior to fusion of the MJ Adapter to the piping.

Item No. 2 **SECTION 02707 – CHAIN LINK FENCE, PART 2 – PRODUCTS, Article 2.1 MATERIALS (A), *Delete* TABLE NO.1 and *Replace*** with:

USE	NOMINAL PIPE SIZE INCHES
End, corner and pull posts for fabric heights: five (5) feet or less	2
Interior bracing for fabric heights: five (5) feet or less	1
Rail and post braces	1-1/4
Intermediate posts for fabric heights: five (5) feet or less	2

DRAWINGS:

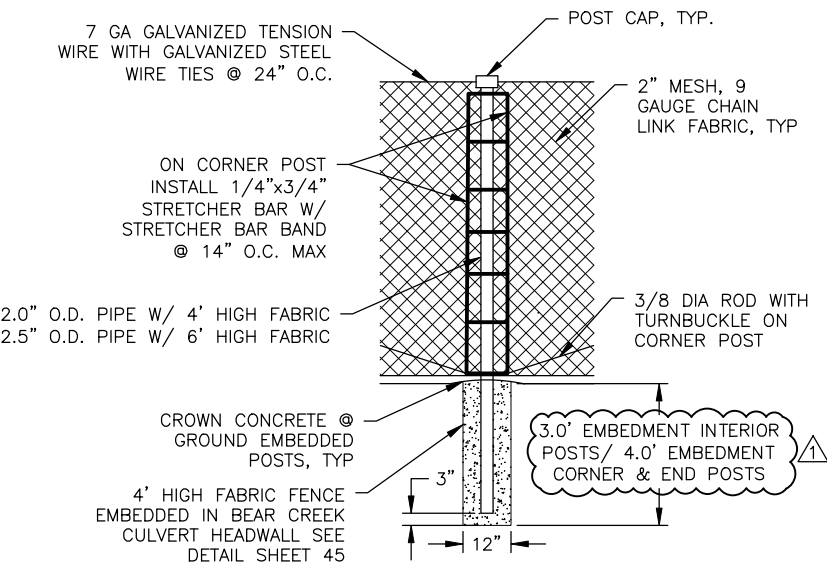
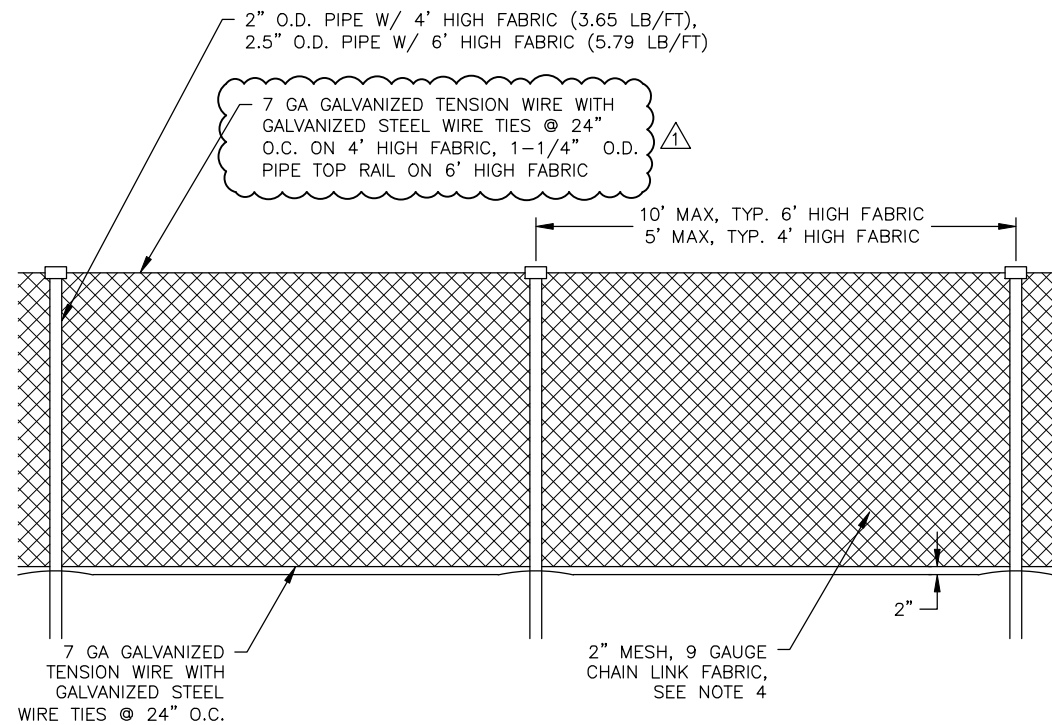
Item No. 3 Drawing Sheet 11 of 46, titled “FENCE, BASE LINER & AREA DRAIN DETAILS”, ***Delete*** in its entirety and ***Replace*** with:

Attached Drawing Sheet 11 of 46, titled “FENCE, BASE LINER & AREA DRAIN DETAILS”, revised per Revision 1 on 04/01/2021

By: 

Greg Smith,
Contract Administrator

Total number of pages contained within this Addendum: 3

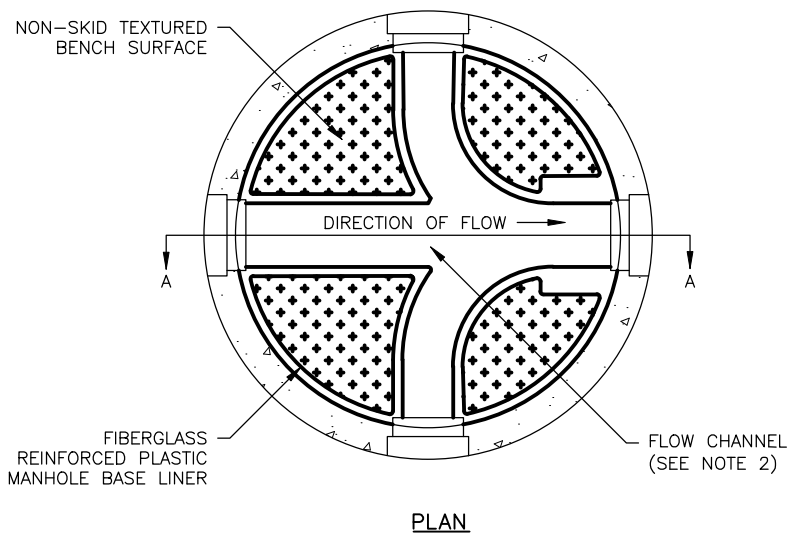
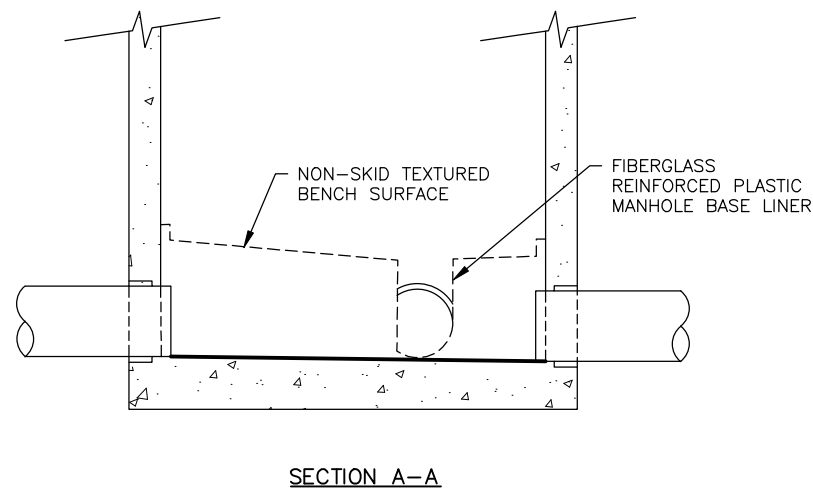


1
11 FENCE AND POST DETAIL
SCALE: NOT TO SCALE

DETAIL 1/11 NOTES:

1. POSTS AND BRACES SHALL BE SCHEDULE 40 (STANDARD WEIGHT) PIPE. SIZES SPECIFIED ARE OUTSIDE DIAMETER.
2. ALL FENCING MATERIAL SHALL BE GALVANIZED STEEL.
3. FENCE FABRIC SHALL HAVE TWISTED & BARBED SELVAGE TOP & BOTTOM.
4. 4' HIGH FABRIC FENCE TO BE INSTALLED ON BEAR CREEK CULVERT HEADWALL SEE DETAILS SHEET 45. NEW 6' HIGH FABRIC FENCE TO BE RELOCATED ON OUTLET SIDE OF BEAR CREEK, SEE LOCATION SHEET 44. IF EXISTING FABRIC & SLATS ARE IN GOOD CONDITION THEY MAYBE REUSED AT ENGINEERS DIRECTION. NEW 6' HIGH FABRIC FENCE TO BE INSTALLED AT TOP OF SLOPE AROUND BEAR CREEK CULVERT INLET SIDE, SEE LOCATION SHEET 44. PAY ITEM 2707.1 6-FOOT CHAIN LINK FENCE WITH SLATS, APPLIES TO BOTH 6' HIGH INLET AND OUTLET FENCES.
5. 6' HIGH FENCE SHALL HAVE PLASTIC PRIVACY SLATS. COLOR TO MATCH EXISTING FENCE AT THE CORNER OF 4TH & G STREET.

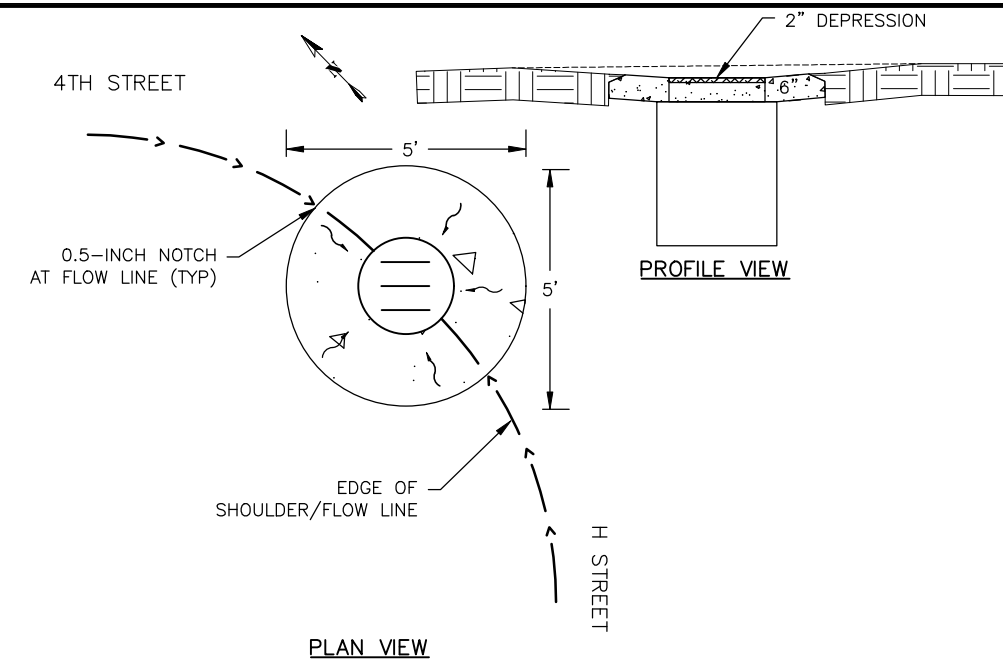
Addendum No. 1



2
11 PRECAST MANHOLE WITH FIBERGLASS REINFORCED PLASTIC BASE LINER DETAIL
SCALE: NOT TO SCALE

DETAIL 2/11 NOTES:

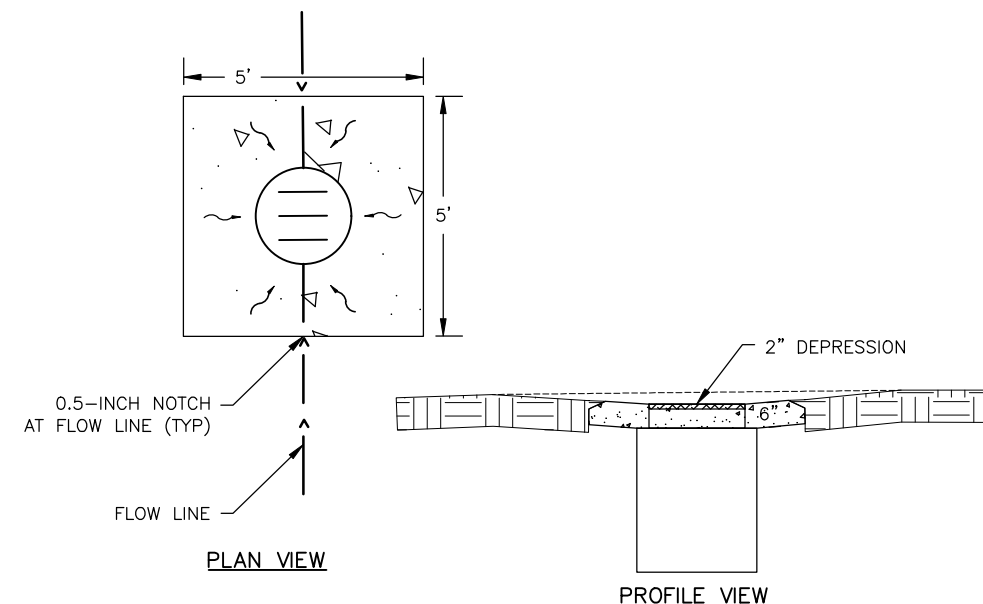
1. THE MANHOLE BASE LINER SHALL BE FIBERGLASS REINFORCED PLASTIC (FRP) OR APPROVED EQUAL.
2. FRP BASE LINER SHALL HAVE A MINIMUM DROP OF 0.1' BETWEEN INLET AND OUTLET PIPES.
3. FRP BASE LINER SHALL BE PRE MANUFACTURED TO MATCH THE PIPE SIZES, ANGLES, SLOPES AND INVERTS AS SHOWN IN THE DESIGN DRAWINGS.
4. FIBERGLASS REINFORCED PLASTIC BASE LINERS SHALL USE FLEXIBLE SEAL ADAPTER FOR ALL PIPES.
5. NOTES AND REQUIREMENTS IN CBJ DETAIL 203 FOR STANDARD SANITARY SEWER MANHOLE TYPE I & II APPLY TO THIS DETAIL.



3
11 4TH ST/H ST INTERSECTION AREA DRAIN DETAIL
SCALE: NOT TO SCALE

DETAIL 3/11 NOTES:

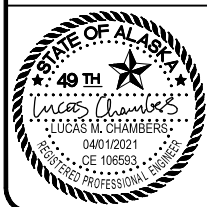
1. CONSTRUCT AREA DRAIN PER CBJ STD 310 UNLESS OTHERWISE INDICATED IN DETAIL.



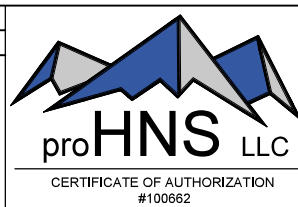
4
11 MODIFIED AREA DRAIN DETAIL
SCALE: NOT TO SCALE

DETAIL 4/11 NOTES:

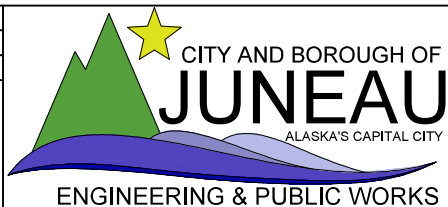
1. CONSTRUCT AREA DRAINS PER CBJ STD 310 UNLESS OTHERWISE INDICATED IN MODIFIED DETAIL.



RECORD OF REVISIONS			
No.	DATE	DESCRIPTION	BY
1	04/01/2021	UPDATED NOTE TO REFLECT TOP RAIL ON 6' FABRIC & 4' EMBEDMENT DEPTH ON CORNER & END POSTS	LC



DRAWN BY: C. BYDLON
 DESIGNED BY: C. BYDLON
 CHECKED BY: L. CHAMBERS
 1945 ALEX HOLDEN WAY #101
 JUNEAU, AK 99801
 (907) 780-4004
 solutions@proHNS.com
 www.proHNS.com



DOUGLAS 4TH STREET
 UTILITIES AND DRAINAGE
 BE21-215

FENCE, BASE LINER
 & AREA DRAIN
 DETAILS

SHEET NUMBER	
11	OF
46	