



## ADDENDUM TO THE CONTRACT

for the

### JPD & Downtown Library HVAC Control Upgrades Contract No. BE20-230

**ADDENDUM NO.:** ONE

**CURRENT DEADLINE FOR BIDS:**

June 30, 2020

**PREVIOUS ADDENDA:** NONE

**ISSUED BY:** City and Borough of Juneau  
ENGINEERING DEPARTMENT  
155 South Seward Street  
Juneau, Alaska 99801

**DATE ADDENDUM ISSUED:**

**June 11, 2020**

The following items of the contract are modified as herein indicated. All other items remain the same. This addendum has been issued and is posted online. Please refer to the CBJ Engineering Contracts Division webpage at: <http://www.juneau.org/engineering ftp/contracts/Contracts.php>

#### **INFORMATION TO BIDDERS:**

A site visit to the Downtown Library, 292 Marine Way, will follow immediately after the Pre-bid meeting. The site visit to the Juneau Police Department, 6255 Alaway Ave, will take place at 1:30pm. Everyone who enters the building will have their temperatures taken and be asked a few screening questions related to COVID-19.

#### **PROJECT MANUAL:**

Item No. 1 SECTION 230923 DIRECT DIGITAL CONTROL (DDC) SYSTEM FOR HVAC, PART 2, PRODUCTS, Article 2.1, DDC SYSTEM MANUFACTURERS, paragraph A, **Add** the following approved manufacturers:

6. Delta Controls and Alerton Controls: Provided by ATS Alaska, 139 E 51<sup>st</sup> Avenue, Anchorage AK 99503

#### **DRAWINGS:**

Item No. 2 **Insert** the attached drawings labeled Addendum 1.

By.   
Greg Smith  
Contract Administrator

Total number of pages contained within this Addendum: 4

**LEGEND**

**ABBREVIATIONS:**

MDP MAIN DISTRIBUTION PANEL  
 VFD VARIABLE FREQUENCY DRIVE

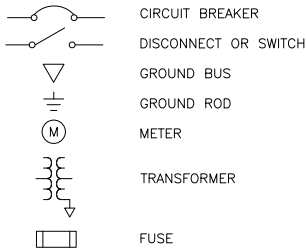
**SHEET NOTE SYMBOLS:**

(E) EXISTING  
 (N) NEW  
 (X) REMOVE

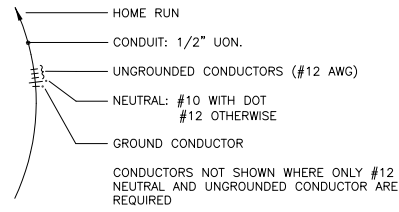
**POWER EQUIPMENT:**

▬ PANELBOARD  
 ☒ MOTOR STARTER OR VFD

**DIAGRAM SYMBOLS:**

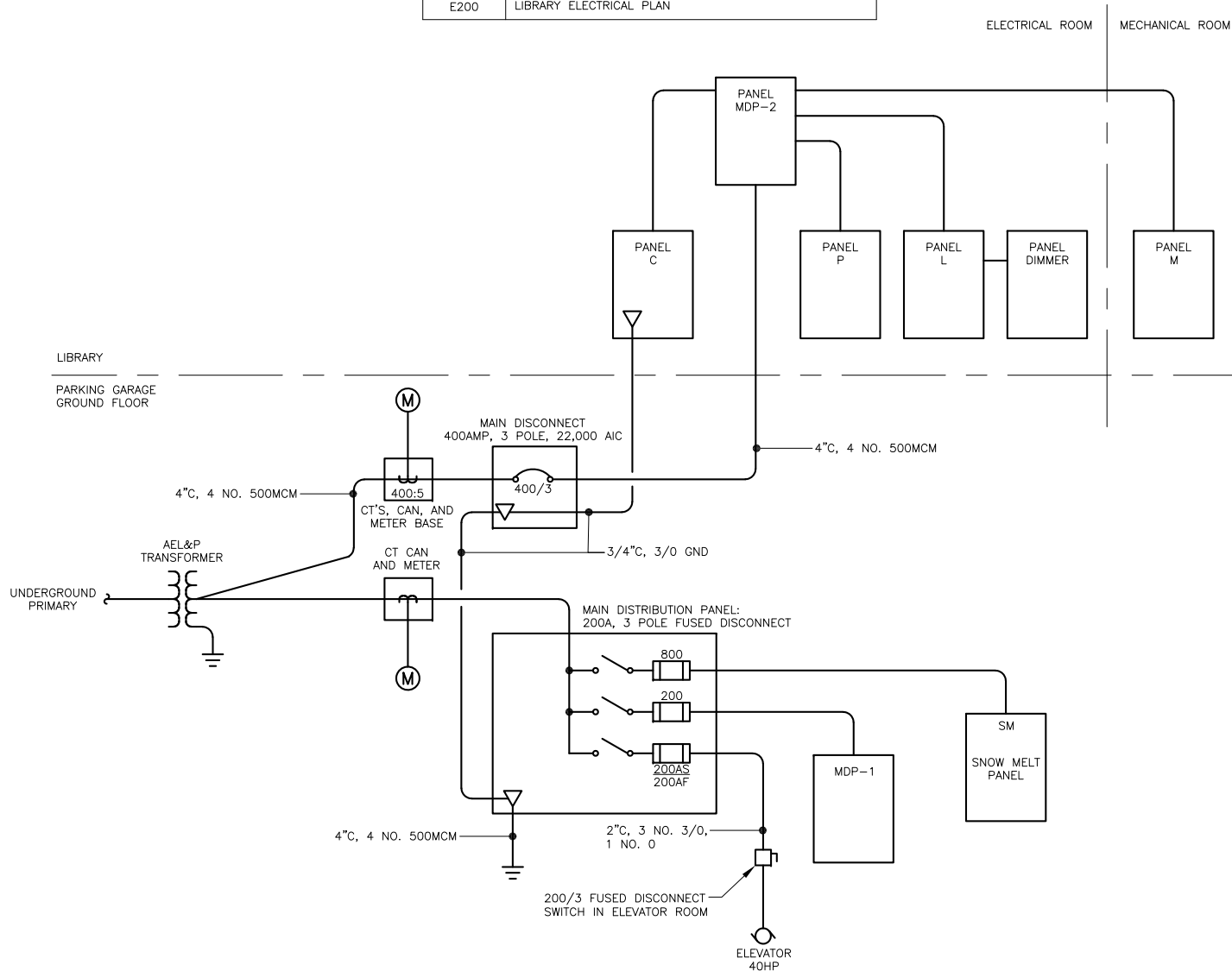


**CONDUIT & CONDUCTORS:**



CONDUCTORS NOT SHOWN WHERE ONLY #12 NEUTRAL AND UNGROUNDED CONDUCTOR ARE REQUIRED

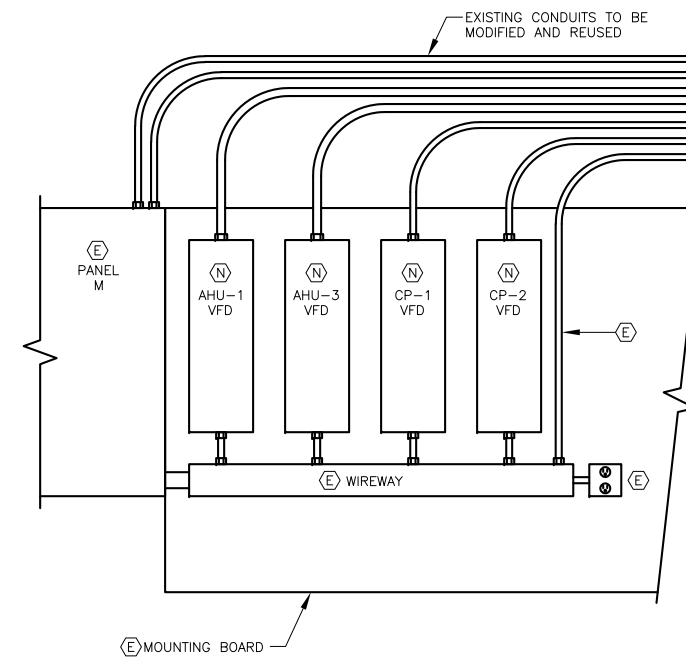
ELECTRICAL SHEET INDEX	
SHEET NUMBER	SHEET TITLE
E001	LEGEND, SHEET INDEX, SINGLE LINE DIAGRAM, LIBRARY DETAILS
E100	LIBRARY ELECTRICAL DEMOLITION PLAN
E200	LIBRARY ELECTRICAL PLAN



**1 SINGLE LINE DIAGRAM – LIBRARY POWER DISTRIBUTION SYSTEM**  
 NO SCALE



**2 LIBRARY MECHANICAL EQUIPMENT – TO BE REMOVED**



**3 ELEVATION – NEW LIBRARY VFD'S**  
 NO SCALE

232-113  
 STATE OF ALASKA  
 49th  
 B.C. HAIGHT  
 E.E. 4900  
 6 MAR 20 20

**AlaskaEnergy**  
 ENGINEERING LLC  
 Phone: 907-784-1226  
 jim@alaskaenergy.us  
 25200 Anaktoga Harbor  
 Juneau, Alaska 99801

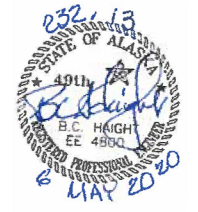
**HAIGHT & ASSOCIATES**  
 CONSULTING ELECTRICAL ENGINEERS  
 526 Main Street, Juneau, AK 99801  
 (907) 586-9788

JPD & Downtown Library  
 City and Borough of Juneau  
 Contract Number: BE20-230  
 HVAC Control Upgrades

SHEET TITLE:  
**LEGEND, SHEET INDEX, SINGLE LINE DIAGRAM, DETAILS**

Date: May 6, 2020  
 Scale:  
 Drawn: REJ  
 Checked: QAJ

E001

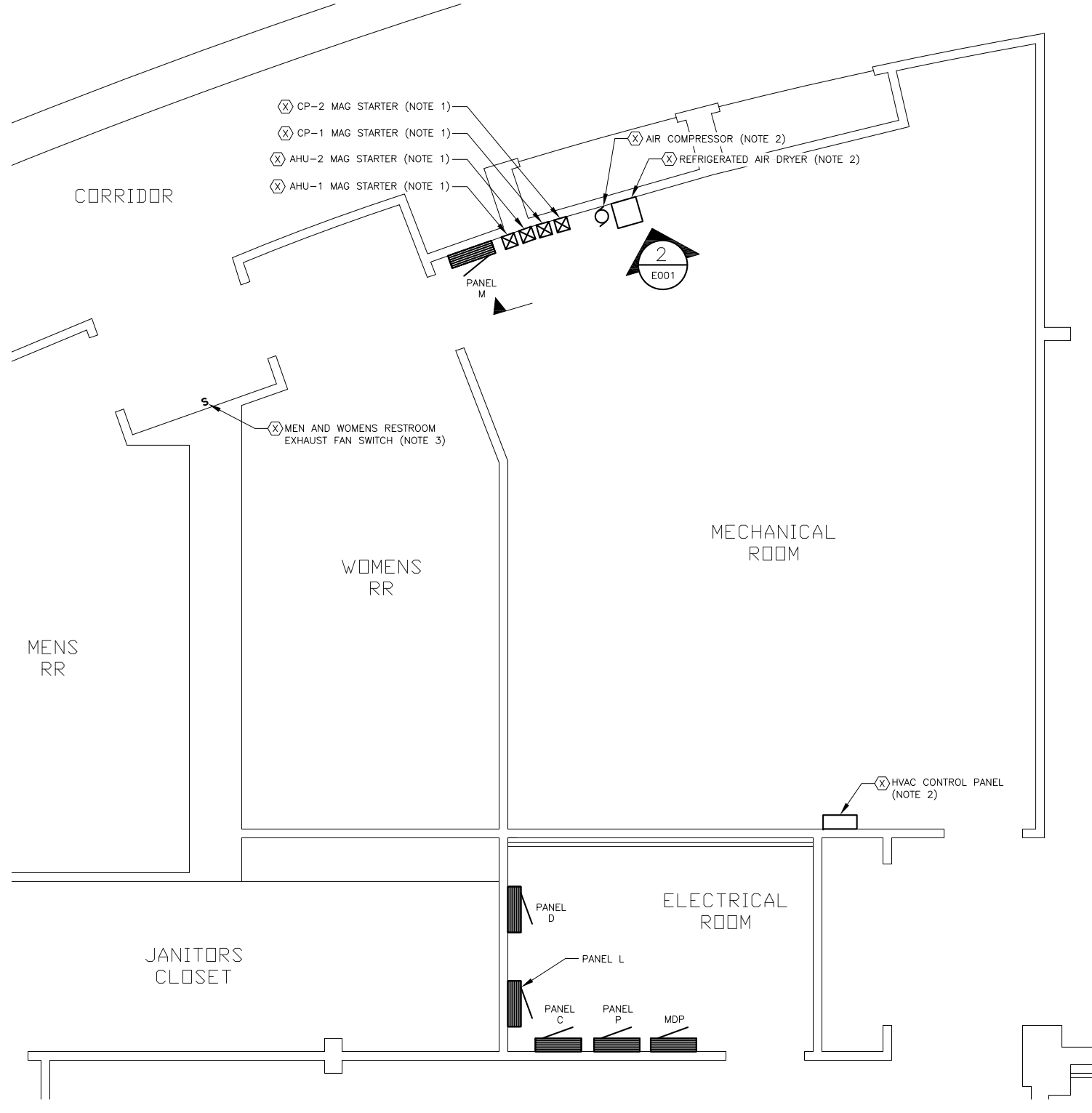


JPD & Downtown Library  
 City and Borough of Juneau  
 Contract Number: BE20-230  
 HVAC Control Upgrades

SHEET TITLE:  
**LIBRARY  
 ELECTRICAL  
 DEMOLITION PLAN**

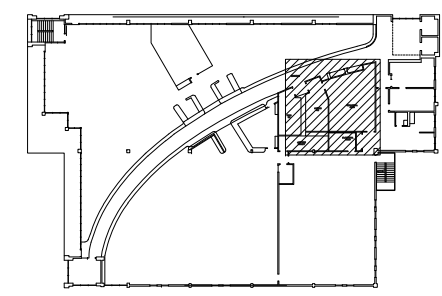
Date: May 6, 2020  
 Scale:  
 Drawn: REJ  
 Checked: QAJ

E100



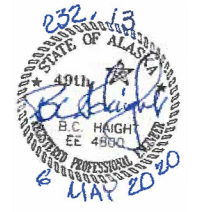
- NOTES:
1. MAGNETIC STARTERS SHALL BE REMOVED BY ELECTRICAL CONTRACTOR. CONDUIT AND CONDUCTORS MAY REMAIN FOR USE WITH NEW VFDS IN SAME LOCATION. (SEE SHEET E200)
  2. MECHANICAL EQUIPMENT SHALL BE REMOVED BY MECHANICAL CONTRACTOR. CIRCUITRY (INCLUDING CONDUITS, CONDUCTORS, AND ALL SUPPORTS) SHALL BE REMOVED BY ELECTRICAL CONTRACTOR. CIRCUIT BREAKERS SHALL REMAIN AS SPARES.
  3. 20A FAN SWITCH CONTROLS EXHAUST FANS LOCATED IN THE MEN'S AND WOMEN'S RESTROOMS. SWITCH SHALL BE REMOVED AND CIRCUIT RECONNECTED. CONTROL FOR EXHAUST FANS SHALL BE MOVED TO THE NEW DDC PANEL. SWITCH BOX SHALL BE COVERED WITH MATCHING COLORED COVER.

1 LIBRARY ELECTRICAL DEOMOLITION PLAN  
 SCALE: 0 2' 4' 8'



KEY PLAN

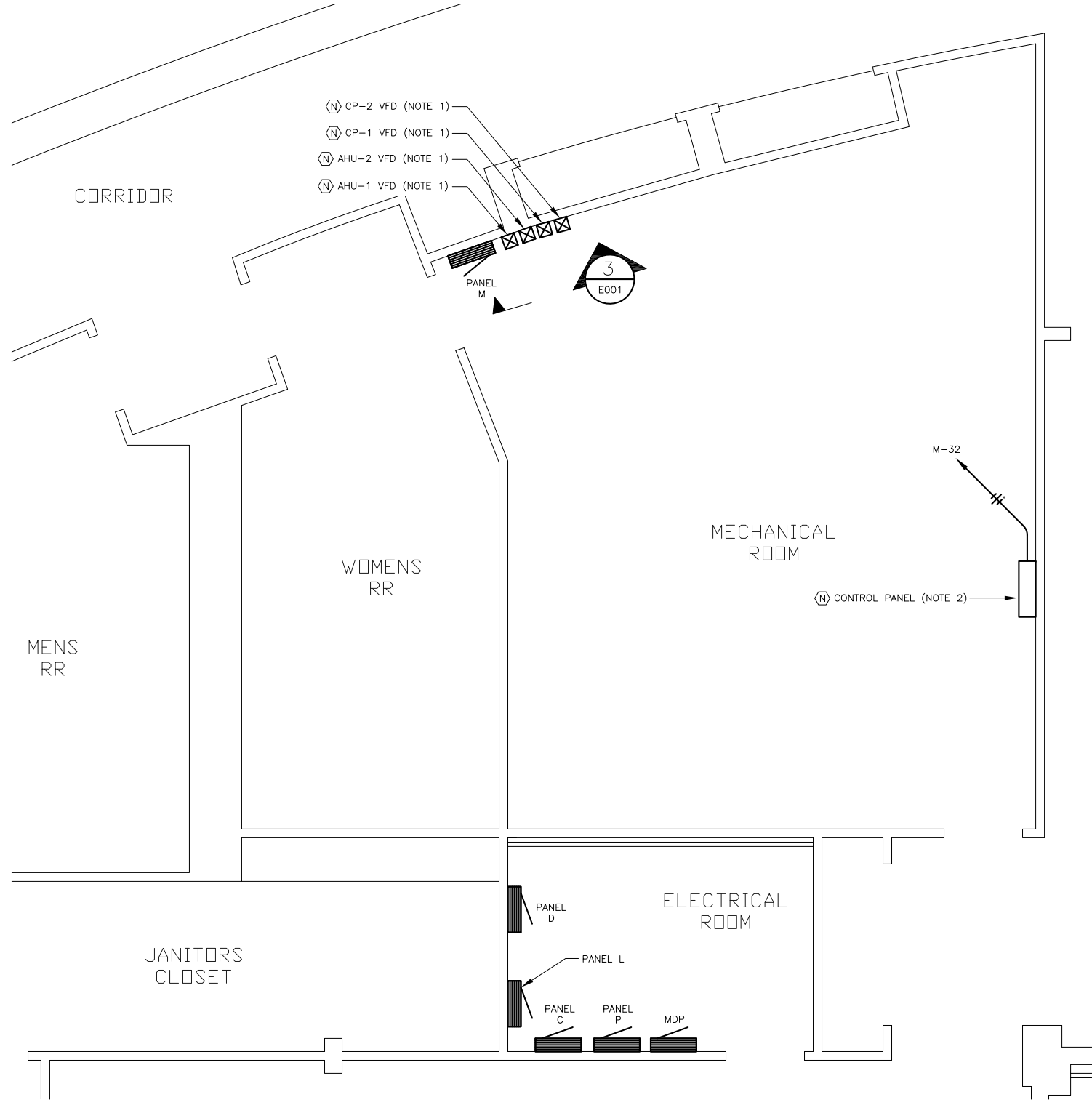
Plotted 5/6/2020 9:26 AM by Robbie Jensen G:\SHARED DRIVES\PROJECTS\232 ALASKA ENERGY ENGINEERING\13 JUNEAU POLICE & DOWNTOWN LIBRARY HVAC CONTROLS\DRAWINGS\WORKING\E100.DWG



JPD & Downtown Library  
 City and Borough of Juneau  
 Contract Number: BE20-230  
 HVAC Control Upgrades

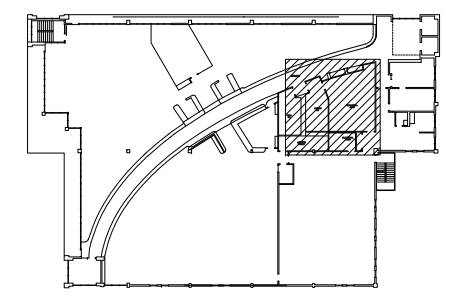
SHEET TITLE:  
**LIBRARY ELECTRICAL PLAN**  
 Date: May 6, 2020  
 Scale:  
 Drawn: REJ  
 Checked: QAJ

E200



- NOTES:
1. NEW VFDS SHALL BE INSTALLED IN PLACE OF REMOVED MAGNETIC STARTERS. REMOVE MAGNETIC STARTERS AND INSTALL VFDS IN A SEQUENCE WHICH WILL ALLOW A SINGLE AHU AND A SINGLE CP TO REMAIN FUNCTIONAL AT ALL TIMES.
  2. ELECTRICAL CONTRACTOR SHALL BE RESPONSIBLE FOR CIRCUITRY FROM PANEL M TO NEW CONTROL PANEL ONLY. PROVIDE NEW 20/1 CIRCUIT BREAKER IN PANEL M. EXISTING WIREWAY OR CONDUITS MAY BE USED WHERE AVAILABLE.

1 LIBRARY ELECTRICAL PLAN  
 SCALE: 0 2' 4' 8'



KEY PLAN

Plotted 5/6/2020 9:26 AM by Robbie Jensen G:\SHARED DRIVES\PROJECTS\232 ALASKA ENERGY ENGINEERING\13 JUNEAU POLICE & DOWNTOWN LIBRARY HVAC CONTROLS DRAWINGS\WORKING\E200.DWG