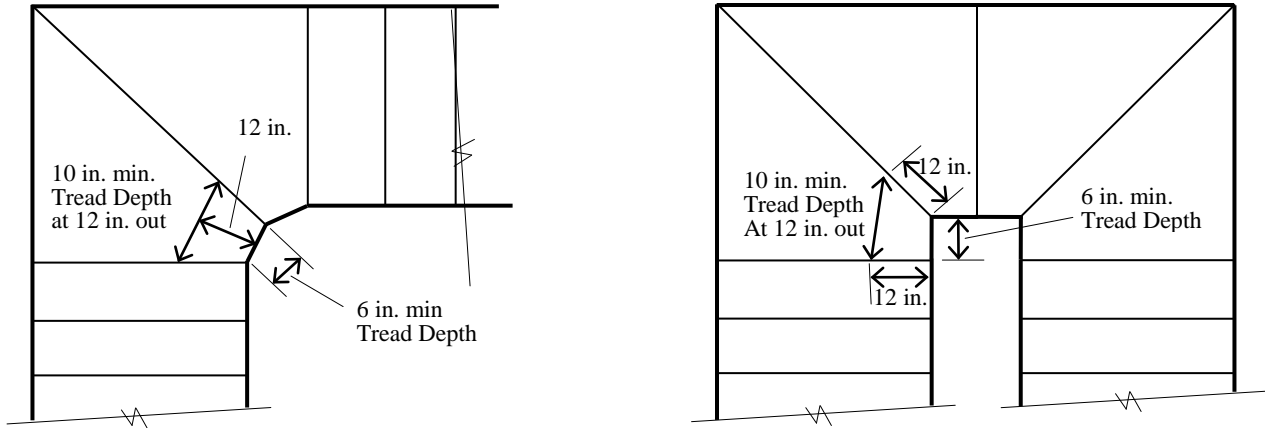


2012 International Residential Code

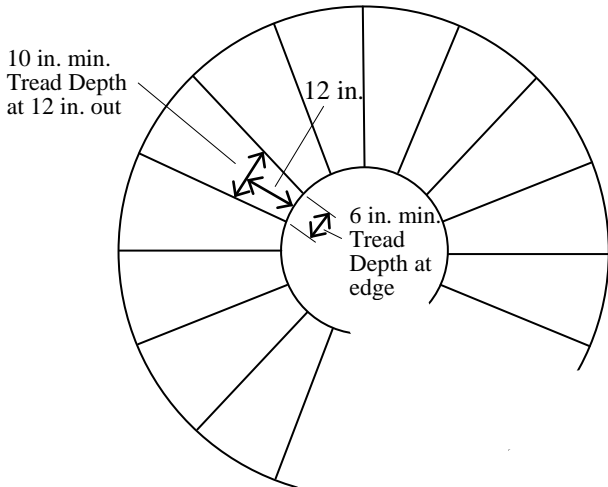
R311.7.5.2 Tread depth. The minimum tread depth shall be 10 inches (254 mm). The tread depth shall be measured horizontally between the vertical planes of the foremost projection of adjacent treads and at a right angle to the tread's leading edge. The greatest tread depth within any flight of stairs shall not exceed the smallest by more than 3/8 inch (9.5 mm). **Winder treads shall have a minimum tread depth of 10 inches (254 mm) measured as above at a point 12 inches (305) mm from the side where the treads are narrower.** Winder treads shall have a minimum tread depth of 6 inches (152 mm) at any point.

R311.7.10.1 Spiral stairways. Spiral stairways are permitted, provided the minimum width shall be 26 inches (660 mm) with each tread having a 7 1/2-inches (190 mm) minimum tread depth at 12 inches from the narrower edge. All treads shall be identical, and the rise shall be no more than 9 1/2 inches (241 mm). A minimum headroom of 6 feet 6 inches (1982 mm) shall be provided.

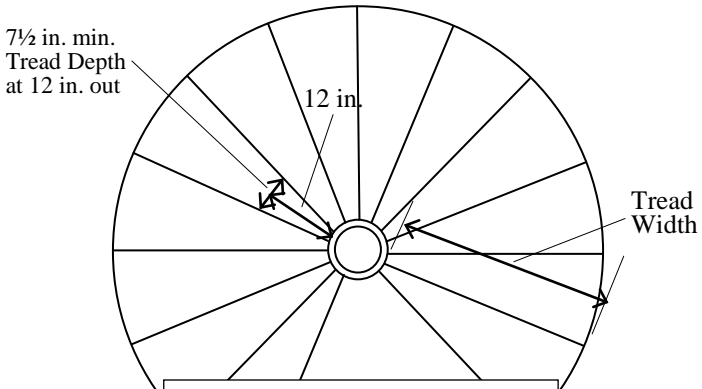
Winder Stairs
 (Stair Treads turn or change direction)



Curved Stairways
 (Treads do not extend to Center)



Spiral Stairs
 (Treads extend to Central Pole or Axis)



- Special Rules for Spiral Stairs**
1. 26 in. min. tread width
 2. 6'6" min. headroom
 3. 9 1/2" max. rise between treads