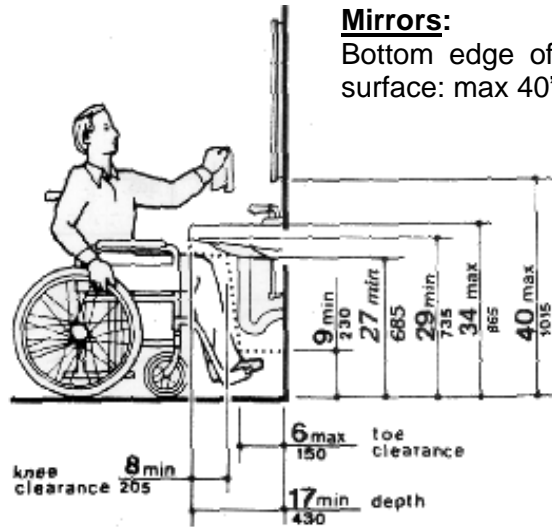




At least one sink in each restroom must be accessible.

**Faucets:**

Lever (or push) controls not knobs that must be grasped and twisted.



**Mirrors:**

Bottom edge of reflective surface: max 40" high.

**Pipes:**

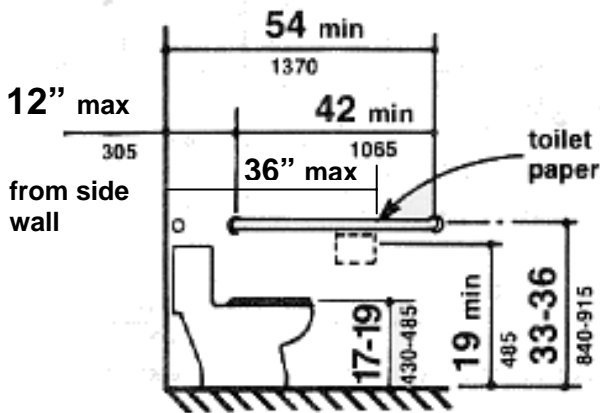
Protect pipes from contact.

**Toilet Paper Holders:**

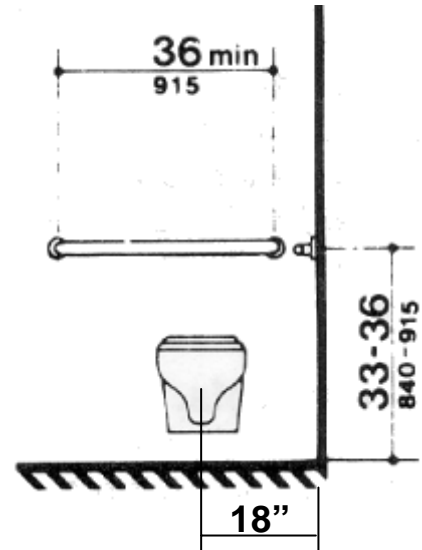
min 19" high, on wall adjacent to toilet, and max 36" from back corner. Height = 33" to 36" high.

**Grabbars:**

Side grabber min 42" long. Back grabber min 36" long. Height = 33" to 36" high.



**Toilet Seats:** 17" to 19" high.



**New Toilets:** 18" O.C. from finished wall.

**General:** Also, have towels, handles, receptacles, dryer buttons, and all other operable parts a maximum 48" O.C. from the floor.

**Coat Hooks:** If coat hooks are provided, at least one to be not over 48" high.

**Protruding Objects:** Objects that protrude more than 4" from the wall and into a path of travel cannot be higher than 27" or lower than 80" unless a "cane detectable" surface is below (per ADA/ANSI).