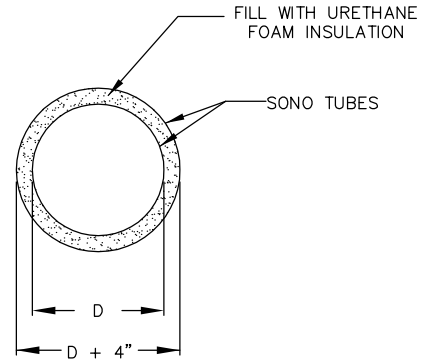


SIDE VIEW



TOP VIEW

INSULATED COVER DETAILS

NOTES

1. PVC DRAIN TO DAYLIGHT OR AS DIRECTED BY THE ENGINEER.
2. SONO TUBES SHALL BE CONCENTRIC TO INSURE A MINIMUM OF 2" OF INSULATION AT ALL POINTS. TRIM TUBES AND INSULATION TO FIT CURVATURE OF PIPE.
3. ADVANCED THERMAL CORP AIR RELEASE VALVE COVER OR APPROVED EQUAL MAY BE SUBSTITUTED. PRIOR TO THE INSTALLATION OF THE AIR RELEASE VALVE THE DAYLIGHT DRAIN SHALL BE PLUGGED AND THE MANHOLE TESTED PER STANDARD SPECIFICATIONS 02403 3.1.

SCALE: NTS	DATE: 7/5/95	CITY AND BOROUGH OF JUNEAU, ALASKA	
DRAWN BY: DRW	CHECKED BY: STAFF	AIR RELEASE VALVE	
APPROVED BY: <i>DRW</i>	REVISED: 8/14/2011	STANDARD 409	