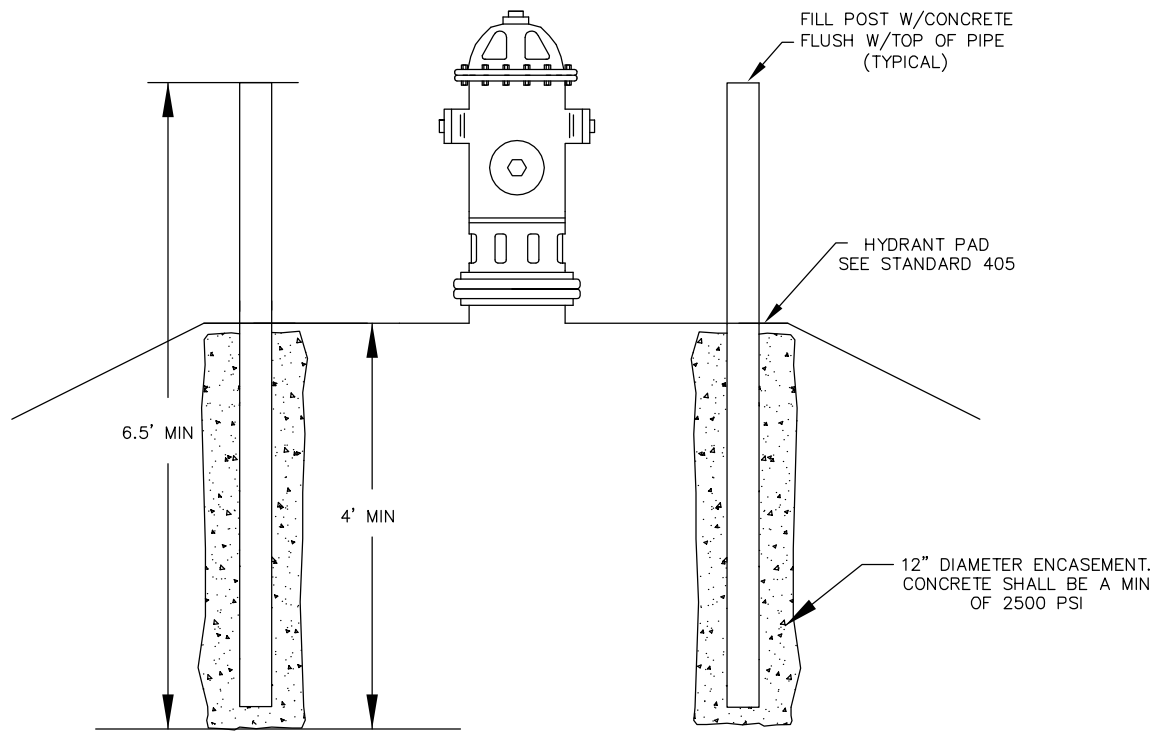


SECTION A-A



ELEVATION VIEW

NOTES

1. GUARD POST ARE REQUIRED ON ALL HYDRANTS EXCEPT THOSE IN SIDEWALKS, ALONG STATE HIGHWAYS OR AS DIRECTED BY THE ENGINEER.
2. GUARD POST SHALL BE 4" DIAMETER, SCHEDULE 40 STEEL PIPE WITH A MINIMUM 4 FEET OF BURIAL AND 2-1/2 FEET OF EXPOSURE.
3. POSTS SHALL BE FILLED FLUSH WITH CONCRETE AND PAINTED WITH 4C-184 CATERPILLAR YELLOW ENAMEL AFTER INSTALLATION.
4. POSTS SHALL NOT BLOCK OPERATION OF VALVE.

SCALE: NTS	DATE: 11/20/96	CITY AND BOROUGH OF JUNEAU, ALASKA	
DRAWN BY: DRW	CHECKED BY: STAFF	HYDRANT GUARD POSTS	
APPROVED BY: <i>DRW</i>	REVISED: 8/14/2011	STANDARD 404	