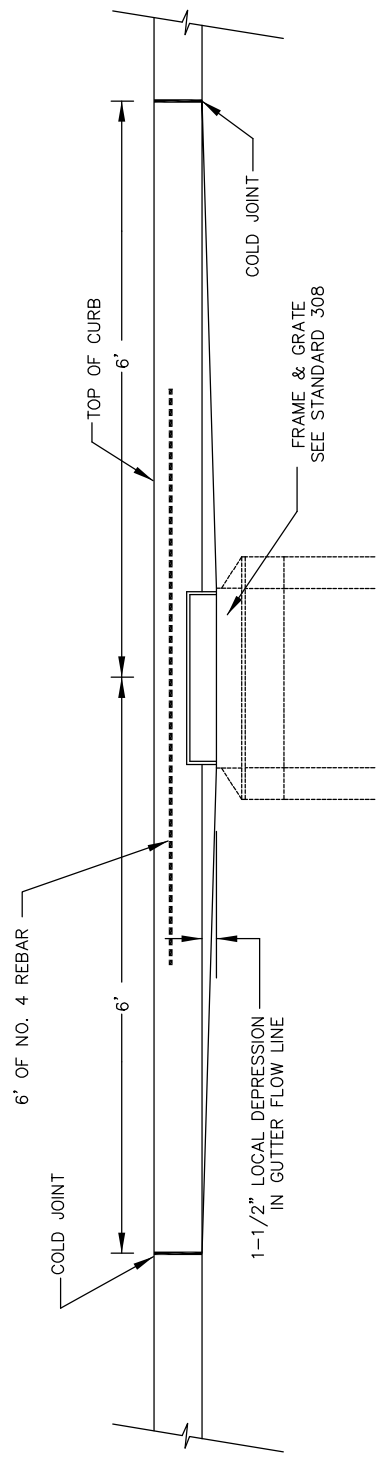


PLAN VIEW



ELEVATION VIEW

- NOTES:
1. INSTALL LEFT OR RIGHT GRATES FOR BICYCLE SAFETY AS DETERMINED BY THE ENGINEER.
 2. INSTALL STORM DRAIN MANHOLE TYPE I OR II, OR CATCH BASIN TYPE III OR TYPE IV AS APPROVED BY THE ENGINEER. SEE STANDARDS 303, 304A, AND 304B.
 3. FOR DETAILS ON CURB INLET FRAME & GRATE SEE STANDARD 308.
 4. CURB & GUTTER SHALL CONFORM WITH STANDARD 111A.

SCALE: NTS	DATE: 12/12/96	CITY AND BOROUGH OF JUNEAU, ALASKA LOCAL DEPRESSION AT CATCH BASIN	
DRAWN BY: DRW	CHECKED BY: STAFF		
APPROVED BY: <i>DRW</i>	REVISED: 8/14/2011	STANDARD 309	