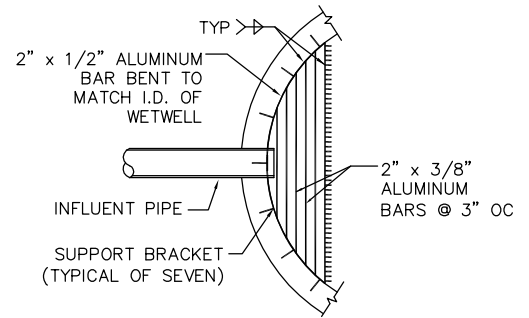
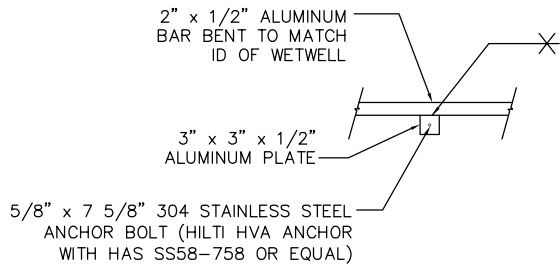


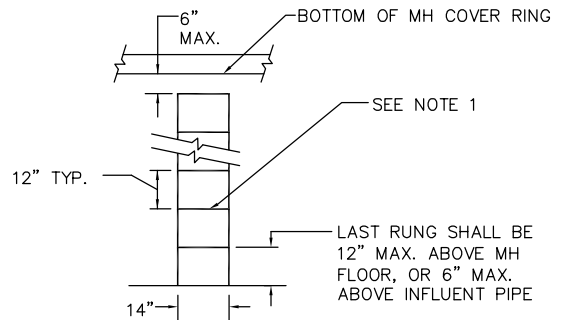
BAR SCREEN DETAIL  
ELEVATION VIEW



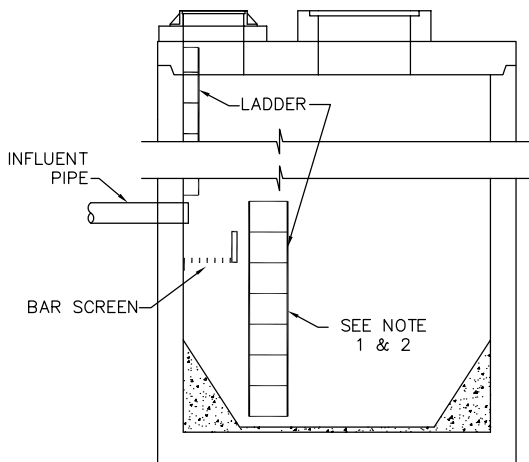
BAR SCREEN DETAIL  
PLAN VIEW



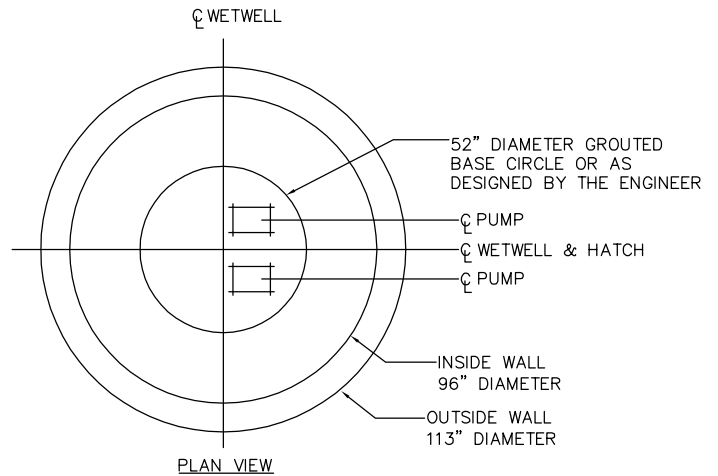
SUPPORT BRACKET DETAIL  
ELEVATION VIEW  
(TYPICAL OF 7 LOCATIONS)



WETWELL AND VAULT LADDERS  
ELEVATION VIEW



LADDER LOCATION  
ELEVATION VIEW



## PUMP STATION DETAILS

NOTES:

1. RUNGS AND RAILS OF LADDER SHALL BE CONSTRUCTED OF POLYPROPYLENE CONFORMING TO ASTM D-4101 WITH STEEL 1/2" GRADE 60 REINFORCING BAR CORES IN THE RUNGS AND 9/16" COLD DRAWN STEEL BAR CORES IN THE RAILS.
2. AN OFFSET SET OF LADDERS SHALL BE PLACED NEXT TO BAR SCREEN FOR ACCESS TO WETWELL FLOOR. LADDER MUST EXTEND ABOVE BAR SCREEN FOR OPERATOR SAFETY.

<b>SCALE:</b> NTS	<b>DATE:</b> 1/18/00	<b>CITY AND BOROUGH OF JUNEAU, ALASKA</b>	
<b>DRAWN BY:</b> STAFF	<b>CHECKED BY:</b> JD/STAFF	<b>PUMP STATION DETAILS</b>	
<b>APPROVED BY:</b> 	<b>REVISED:</b> 8/14/2011	<b>STANDARD 220-3</b>	