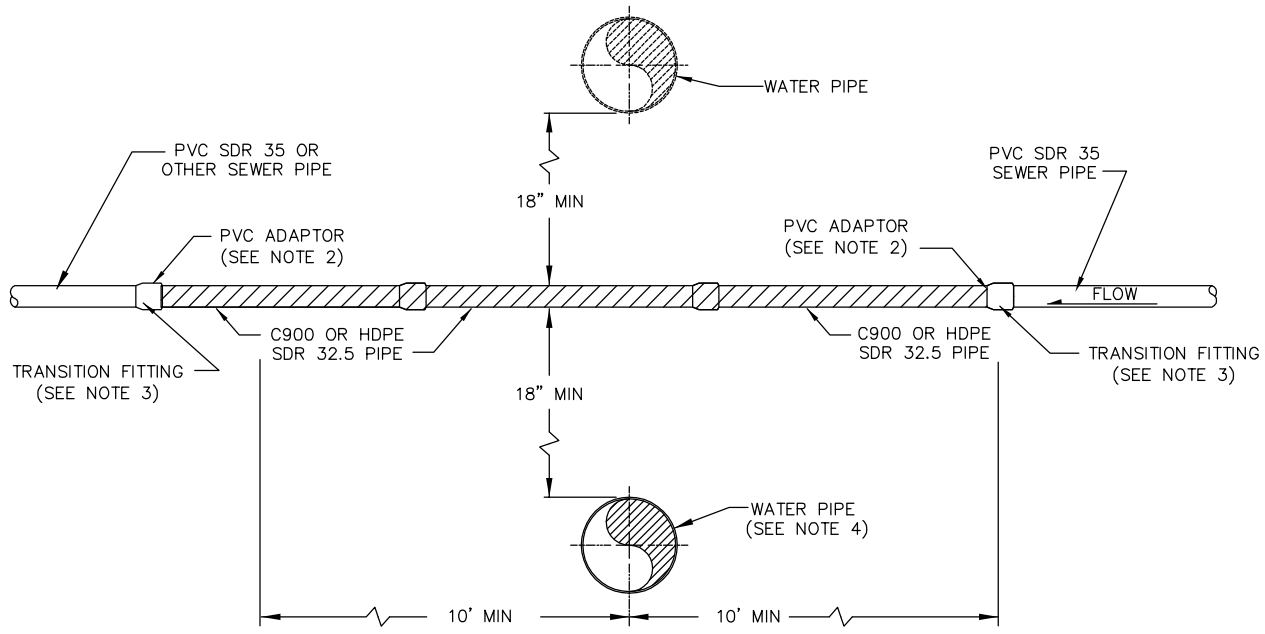


PLAN VIEW



ELEVATION VIEW

- NOTES:
1. HDPE, C900 OR SDR 32.5 SEWER PIPE SHALL BE INSTALLED FOR THE LENGTH SHOWN FOR ALL SANITARY SEWER CROSSINGS AS DIRECTED BY THE ENGINEER.
 2. FROM SDR 35 TO C900 AND C900 TO SDR 35 JOINTS SHALL BE TRANSITION BELL PVC ADAPTER, INSTALLED PER THE MANUFACTURERS RECOMMENDATION.
 3. FROM SDR 35 TO HDPE AND HDPE TO SDR 35 JOINTS SHALL BE TRANSITION FITTING OR LSS-1, STAINLESS NON-SHEAR COUPLING, INSTALLED PER THE MANUFACTURERS RECOMMENDATION.
 4. A FULL LENGTH OF WATER PIPE SHALL BE CENTERED UNDER OR OVER THE SANITARY SEWER PIPE AT ALL CROSSINGS. THE TEN FOOT MEASUREMENT SHALL BE TAKEN PERPENDICULAR TO THE WATER PIPE JOINT.

SCALE: NTS	DATE: 2/1/2010	CITY AND BOROUGH OF JUNEAU, ALASKA SANITARY SEWER CROSSING	
DRAWN BY: STAFF	CHECKED BY: STAFF		
APPROVED BY: <i>DRW</i>	REVISED: 8/14/2011	STANDARD 215	