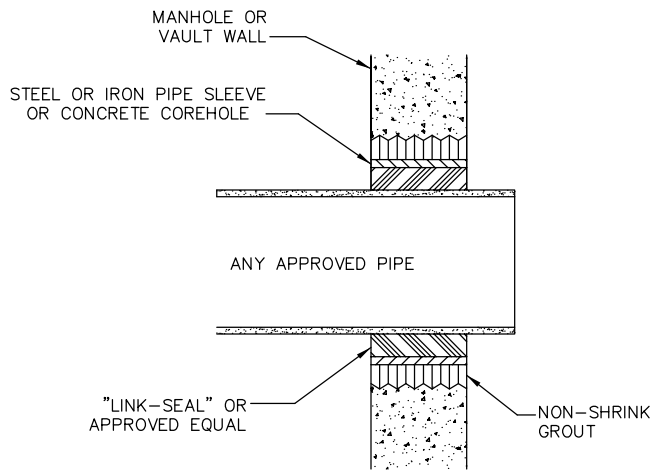
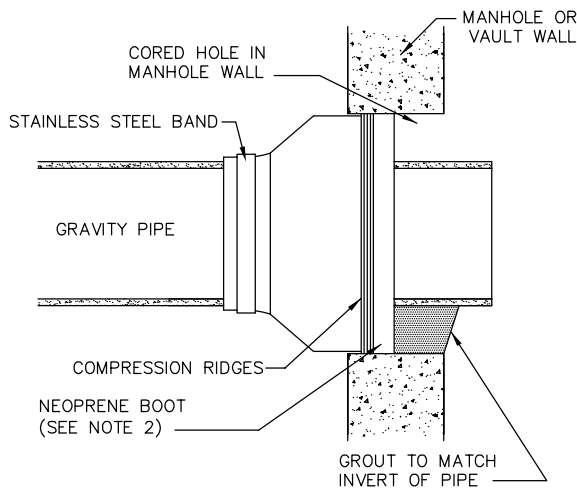


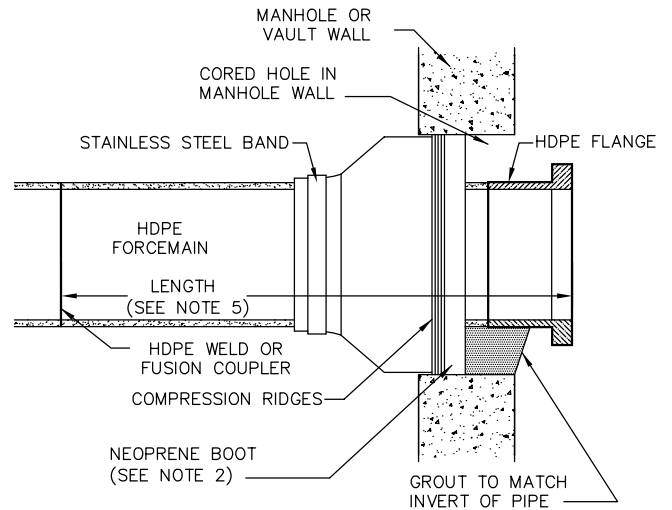
ASBESTOS CEMENT OR
CONCRETE ADAPTER
PVC SAND COLLAR
(SEE NOTE 4)



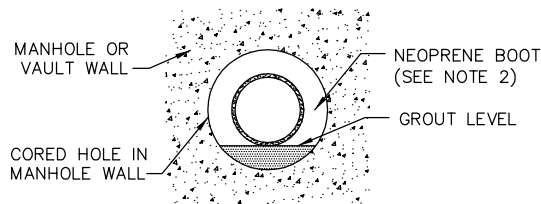
"LINK-SEAL" ADAPTER



FLEXIBLE SEAL ADAPTER



HDPE FORCEMAIN CONNECTION



GROUT DETAIL

NOTES

1. ALL MANHOLE CONNECTIONS SHALL BE 100% WATERTIGHT.
2. ALL PIPE SHALL EXTEND 2" INTO MANHOLE.
3. NEOPRENE BOOT ON THE FLEXIBLE SEAL ADAPTER SHALL BE A MINIMUM OF 3/8" THICK PER ASTM C-443, AND SHALL BE HELD IN PLACE WITH AN INTERNAL EXPANDING BAND SUCH AS "KOR-N-SEAL" OR APPROVED EQUAL.
4. PVC SAND COLLAR NOT ALLOWED IN AREAS OF A HIGH WATER TABLE.
5. HDPE FLANGE SHALL BE WELDED TO A SECTION OF PIPE AND INSERTED THROUGH THE FLEXIBLE SEAL FROM THE INSIDE OF THE MANHOLE. THE LENGTH OF HDPE REQUIRED TO BE DETERMINED BY THE INSTALLER.
6. ROMAC HDPE PIPE STIFFENER OR APPROVED EQUAL MAY BE REQUIRED FOR HDPE GRAVITY MAIN INSTALLATIONS. VERIFY WITH THE ENGINEER PRIOR TO INSTALLATION.

SCALE: NTS	DATE: 7/5/95	CITY AND BOROUGH OF JUNEAU, ALASKA	
DRAWN BY: DRW	CHECKED BY: STAFF	MANHOLE CONNECTION DETAILS	
APPROVED BY: <i>DRW</i>	REVISED: 8/14/2011	STANDARD 209	