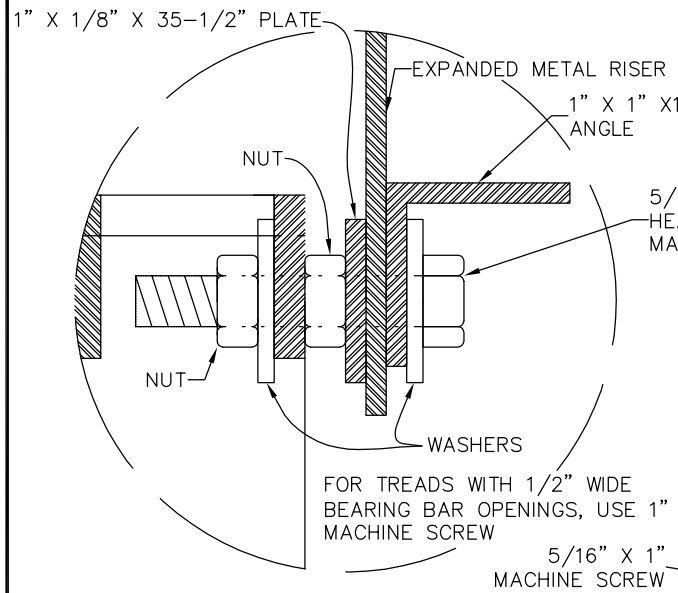
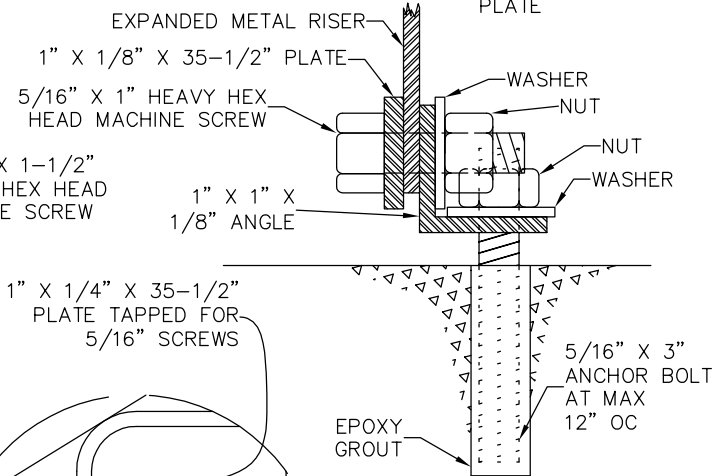


ADJUSTABLE HEIGHT RISER

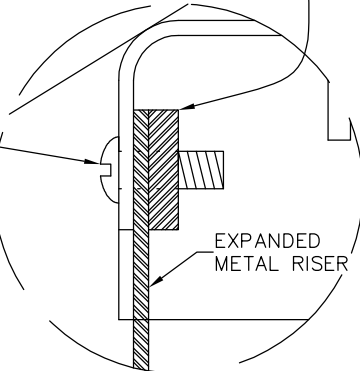
EXPANDED METAL SPOT WELDED TO 1" X 1/4" X 35-1/2" PLATE



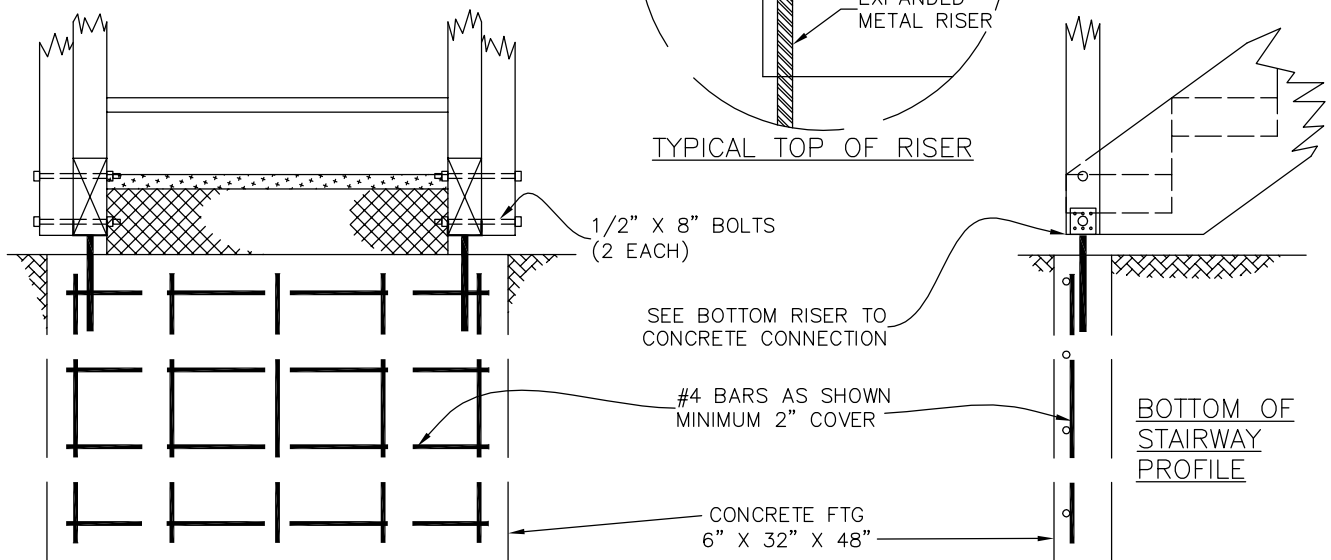
TYPICAL BOTTOM OF RISER



BOTTOM OF RISER TO CONCRETE CONNECTION



TYPICAL TOP OF RISER



BOTTOM OF STAIRWAY SECTION

BOTTOM OF STAIRWAY PROFILE

SCALE:	NTS	DATE:	7/24/98	CITY AND BOROUGH OF JUNEAU, ALASKA	
DRAWN BY:	TAD	CHECKED BY:	JB/STAFF	STANDARD STAIRWAY	
APPROVED BY:			REVISED:	8/14/2011	STANDARD 122-4