

CITY & BOROUGH OF JUNEAU

Park & Trails Signage Plan

DRAFT 04-19-2019

90% Construction Documents
April 19, 2019



TABLE OF CONTENTS

DOCUMENT PURPOSE	5
Introduction	6
Purpose and Use of Document	7
INDEX OF SIGN TYPES	9
Primary Entry Sign	10
Secondary Entry Sign	11
Information Sign	12
Regulatory Sign	13
Primary Trail Marker	14
Secondary Trail Marker	15
SIGN DETAIL	17
Primary Entry Sign	18
Secondary Entry Sign	22
Information Sign	24
Regulatory Sign	28
Primary Trail Marker	30
Secondary Trail Marker	32
SPECIFICATIONS & DETAILS	35
Typeface And Colors	36
CBJ and Partner Logos	37
Icons	38
Standard Specifications	40
Sign Footing Detailing	42
Post Cap Detailing	44
Laminate to Post Detailing	45
Aluminum Angle Detailing	46
Wire Mesh Detailing	47
Dibond Detailing	48
COST ESTIMATES	51
Primary Entry Sign	52
Secondary Entry Sign	53
Information Sign	54
Regulatory Sign	55
Primary Trail Marker	56
Secondary Trail Marker	57



DOCUMENT PURPOSE

INTRODUCTION

It is a City and Borough of Juneau priority to establish a standard signage system for Juneau area parks and trails. This Parks & Trails Signage Plan establishes this standard signage system, providing a strong identity and unified aesthetic, consistency in wayfinding and the provision of information, and integrates regulatory information within the above.

The implementation of this signage unifies people's experience between all parks and trails, and help people to identify and access their benefits and amenities. The target audiences are active park and trail users, passive park and trail users, and newly arrived or visiting persons. A unified design for identity, directional, and regulatory signage helps users orient themselves and gain comfort in how they use CBJ amenities.

The signage family is simple, easily manufactured, and delivers modular elements for changeable information without the need to fabricate new signs. There are a total of six similarly branded signage types that can be used in a variety of situations.

This Parks and Trails Signage Plan document shows the overall look and feel of the signage family and provides specific information for their fabrication and installation including related to graphic layout, materials, fabrication, and installation. Sign locations are to be determined by City and Borough of Juneau staff on a case by case basis. Graphic content specific to a particular location is to be developed at the time a sign is being ordered.

The City and Borough of Juneau Parks & Trails Signage Package includes the following components:

Index of Sign Types

The Index of Sign Types provides a quick overview of the sign graphics and content, information on the specific function and proper use for each sign, and their basic components.

Sign Detail

The Sign Detail section provides the standard generic information that is needed for the fabrication of each sign type, and information/guidance on the necessary sign content customization needed for specific locations.

Specifications & Details

The Specifications & Details section provides additional information required for sign customization and fabrication.

Cost Estimates

The Cost Estimate section provides expected sign costs at the time of development of this document (May 2019). These costs are expected to change over time.

PURPOSE AND USE OF DOCUMENT

The intent of signage guidelines for the City and Borough of Juneau's parks and trails system is to create a cohesive system of presenting information. The goals of such a system are to effectively brand and label parks, trails and facilities; to help people find these amenities and then to navigate within them; to provide continuity within and between locations through a common aesthetic; and to streamline the development of new signage and maintenance of existing.

This document serves two purposes: to illustrate the sign types, and to provide the information needed for their fabrication and installation.

The beginning of this document shows the range of sign types and their uses, and provides a hierarchy of applications for guidance in their selection. Key to the proper use of signage is the recognition of how any particular sign fits into an overall hierarchy of information presentation.

Whether an individual sign, or a network of signs, their design and implementation are dependent upon the level of information they are expected to provide. This level of information is dictated through such things as choosing the proper sign, and for how it is used (i.e. main park map, or directional signage at a trail intersection).

Each sign has standard elements, with varying levels of customizable content depending on their use. This document illustrates the typical information required for each sign, and how this information is typically arranged. Each sign type provides guidance in developing the information needed to develop content for a sign.

Lastly, this document provides the specific information needed to construct each sign type. This includes information for designers or contractors to modify, construct and install the signs properly.

The purpose of this document is to provide a detailed description of each of the (6) sign types and corresponding graphic layout, graphic types, specifications, and details for fabrication and installation. It is the intent that each section will provide the necessary information for each step of the fabrication and installation process. Additional tools, information, and details will be provided as stand-alone documents to ensure that all necessary tools and information will be provided for fabrication and installation.



INDEX OF SIGN TYPES

PRIMARY ENTRY SIGN



The Primary Entry Sign is used for entrances to large parks and regional areas.

The main sign panel (high pressure laminate) is mounted on two posts, and has surface-mounted sign component (dibond) that allows seasonal modification of park open hours.

SECONDARY ENTRY SIGN

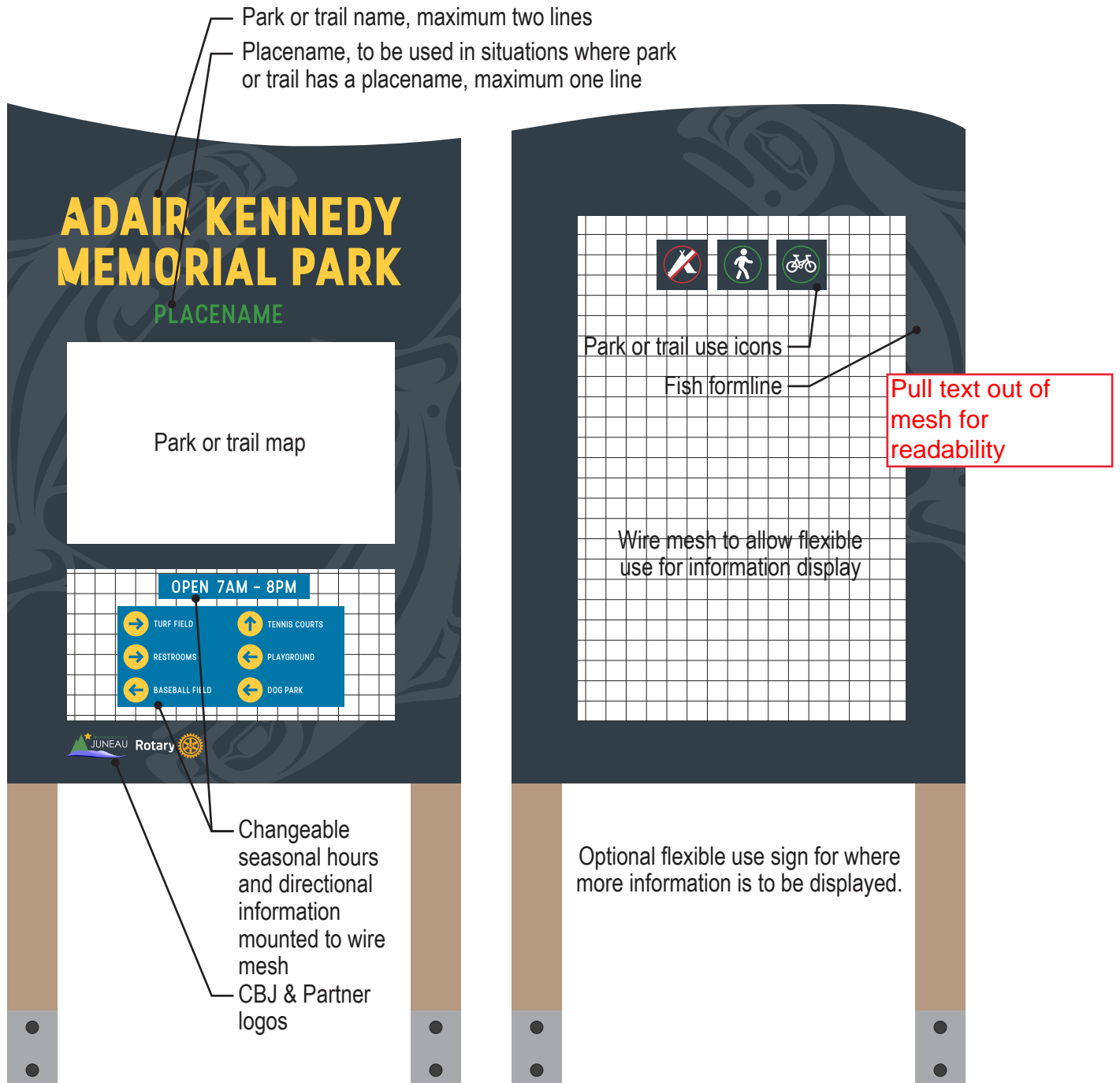
Color choice:



The Secondary Entry Sign is used for small park entrances, secondary park entrances, and at some trailheads.

The main sign panel (high pressure laminate) is mounted on one post, and has surface-mounted sign component (dibond) that allows seasonal modification of park open hours.

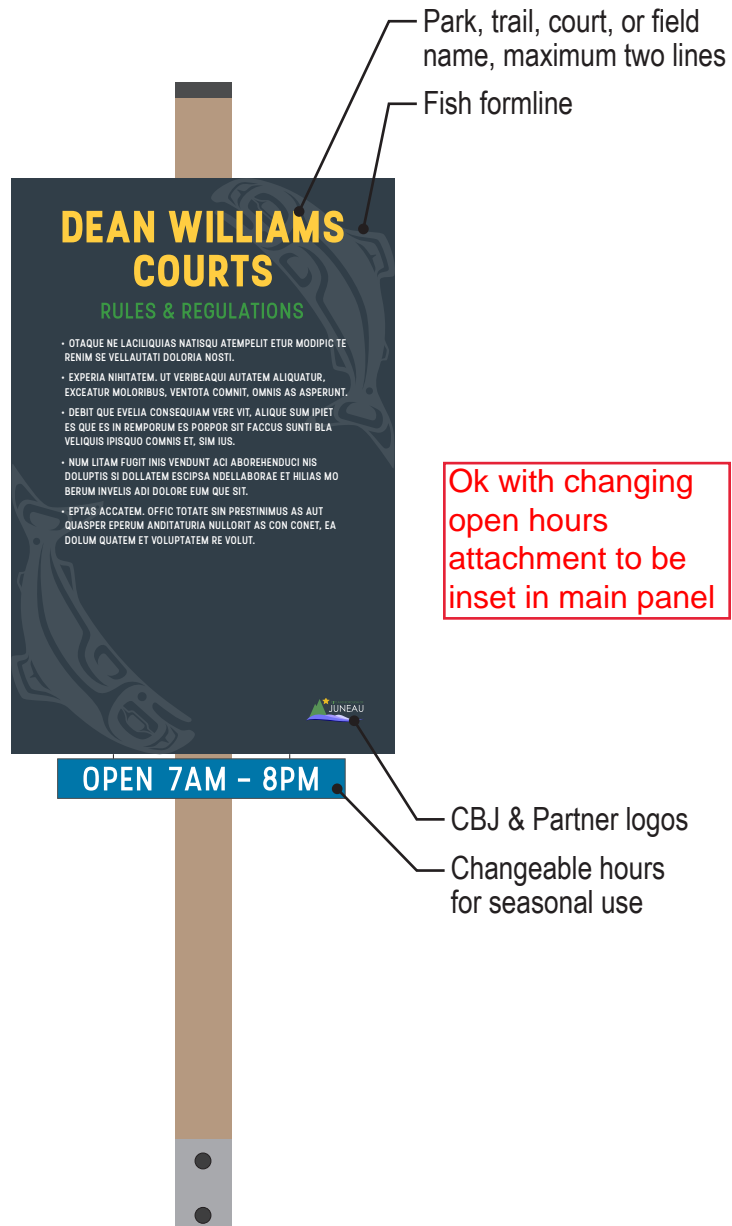
INFORMATION SIGN



The information sign is used at parks & trailheads. The main sign includes a map (optional), and an area of wire mesh for flexible display of information. If not used, the area of wire mesh can be expanded to provide additional display space. If additional display space is needed, an additional flexible use sign can be provided (as shown above).

The main sign panel (high pressure laminate) is mounted on two posts, with woven wire mesh panels allowing flexible attachment of information.

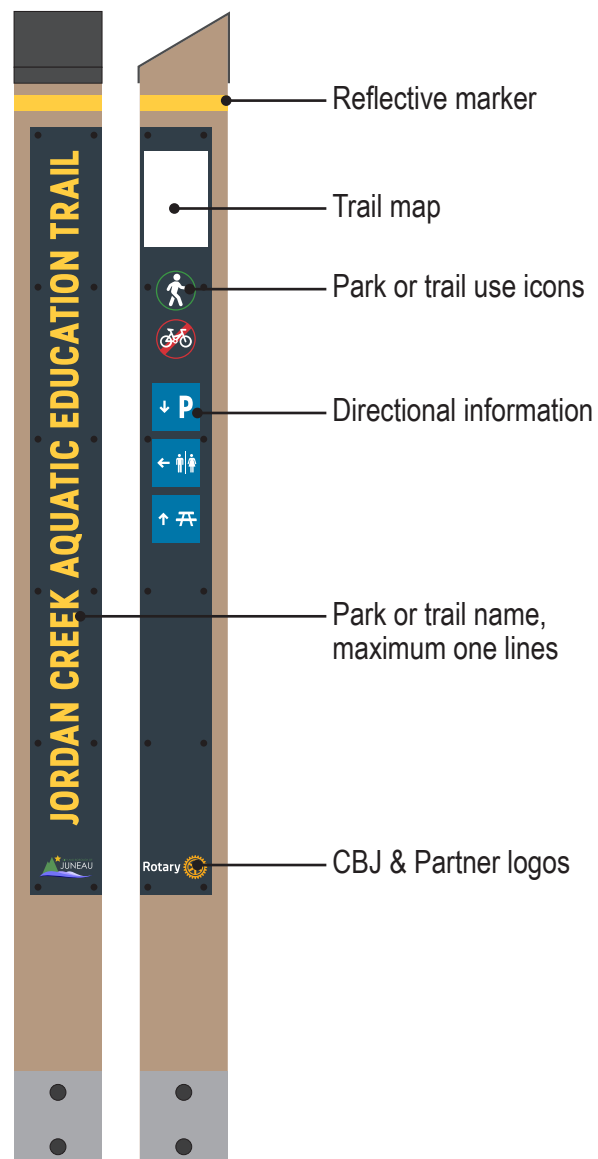
REGULATORY SIGN



The regulatory sign is used at parks, sports fields, skate parks, playgrounds, and trailheads. The sign informs users of rules and regulations, and trail etiquette. While shown as post mounted, the sign can be attached to buildings or park fences when necessary.

The main sign panel (high pressure laminate) is mounted on one post, and has a sign component (dibond) that allows seasonal modification of park open hours.

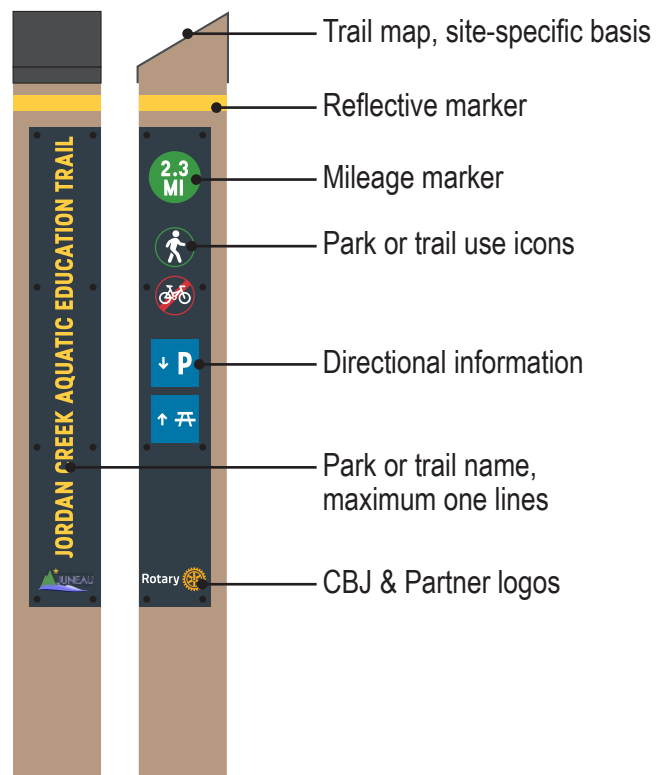
PRIMARY TRAIL MARKER



The primary trail marker is used at some secondary park entrances and trailheads when the Secondary Entry Sign and information sign are not applicable. The primary trail marker has a map, directional information, and basic trail-use guidelines.

The sign panels (high-pressure laminate) are mounted to one wood post.

SECONDARY TRAIL MARKER



The secondary trail marker is used on trails as a wayfinding tool, with an optional map attachment, directional information, mileage information, and basic trail use guidelines.

The sign panels (high-pressure laminate) are mounted to one wood post.



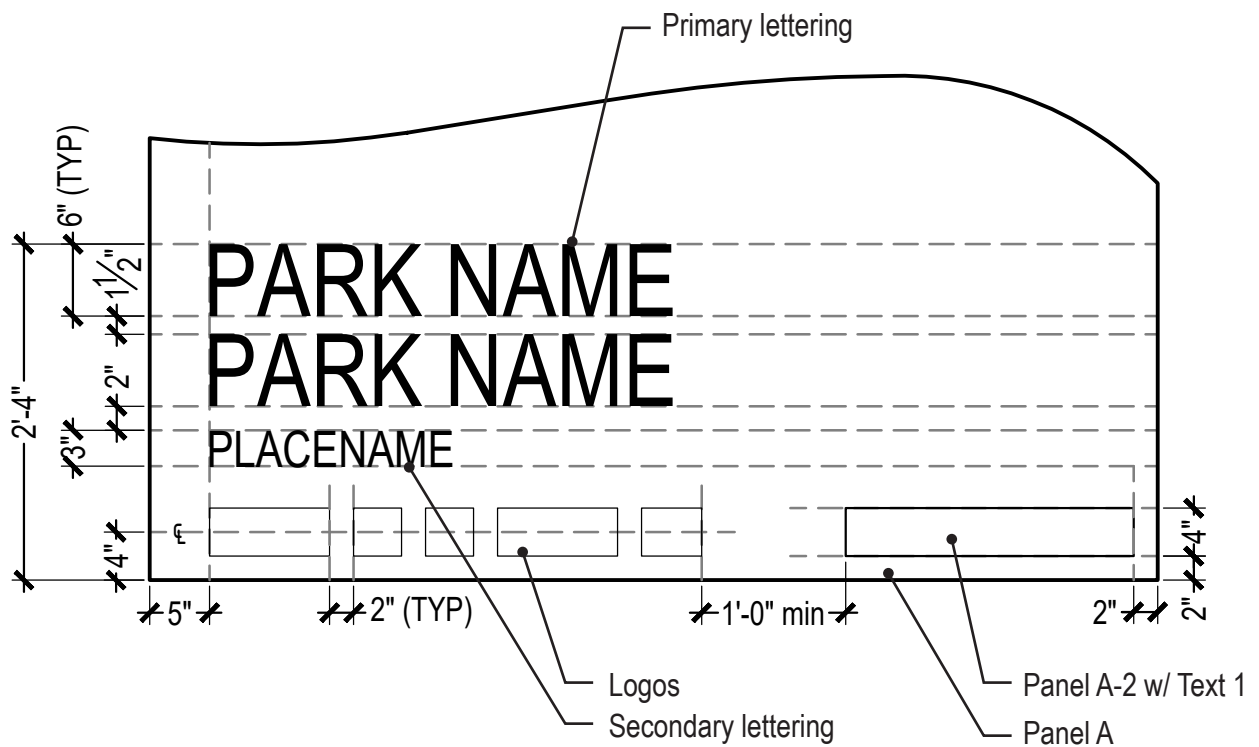
SIGN DETAIL

PRIMARY ENTRY SIGN

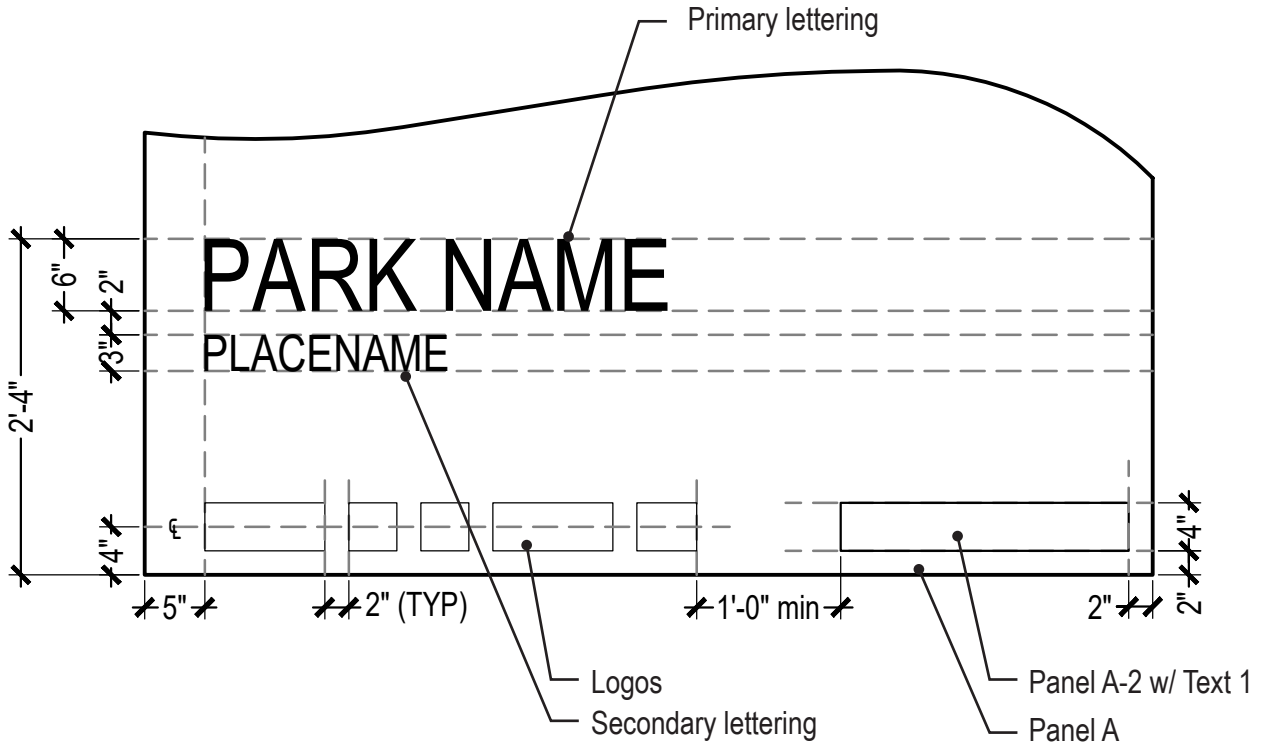
TEXT AND GRAPHICS

Item	Dimensions	Description	Notes
Panel A-1	84" x 42"	High-pressure laminate	Horizontal layout
Panel A-2	24" x 4"	Dibond panel mounted to Panel A-1	See page xx for mounting attachment detail
Logos	4" Ht	Printed on Panel A-2	See page xx
Primary Lettering	6" H, Stellar Bold	Printed on Panel A-2	See page xx
Secondary Lettering	3" H, Stellar Medium	Printed on Panel A-2	See page xx
Text 1	2" H, Stellar Medium	Printed on Panel A-2	See page xx

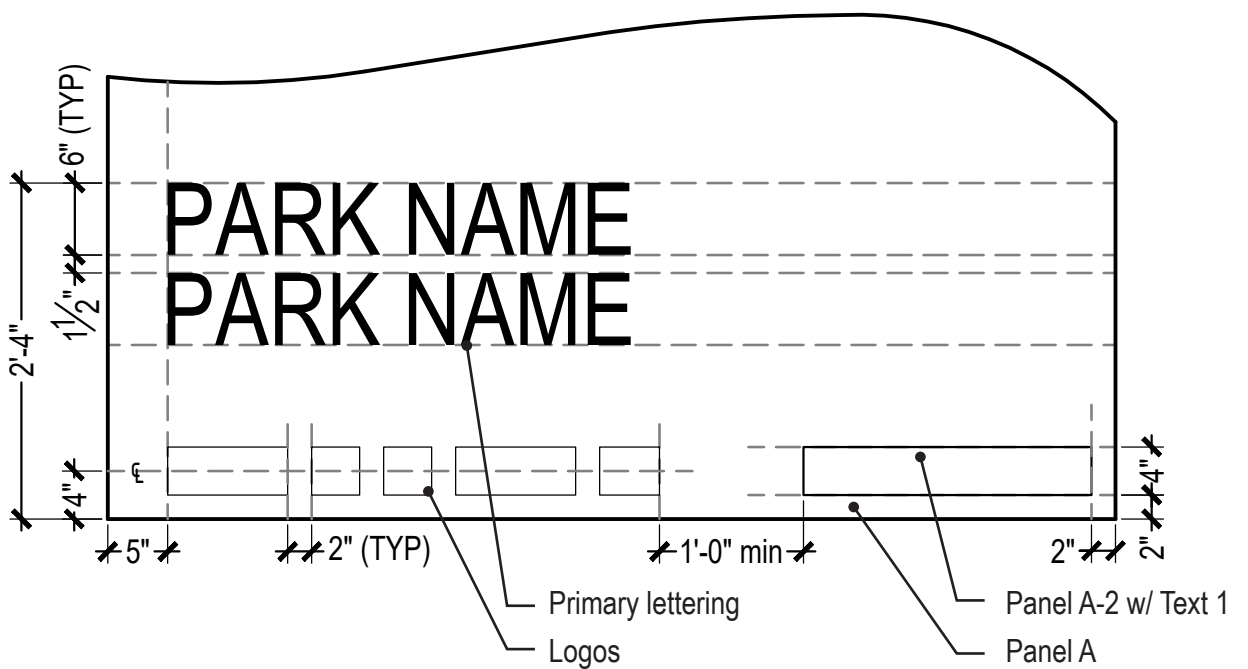
TYPICAL LAYOUT



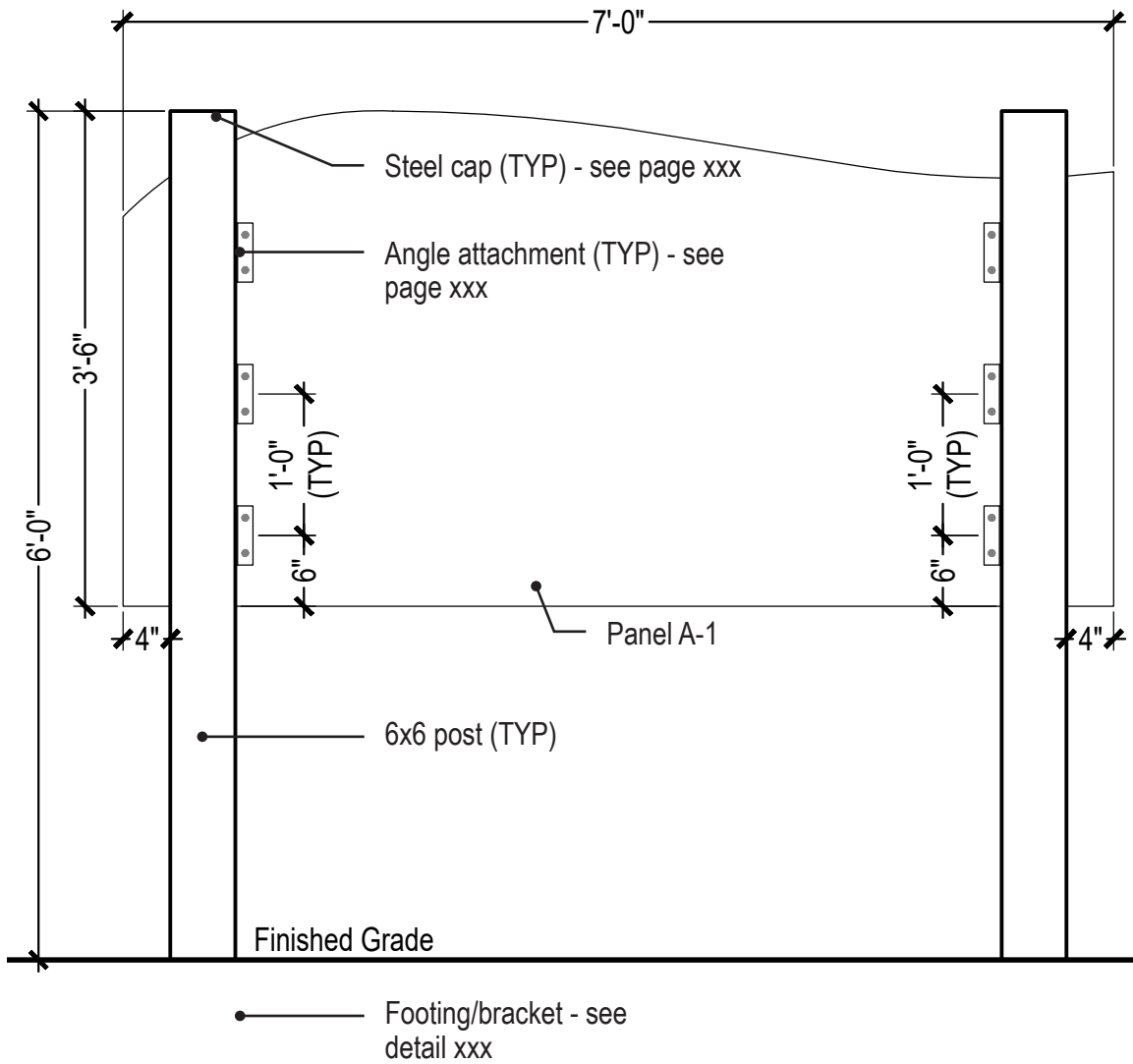
ALTERNATE LAYOUT 1



ALTERNATE LAYOUT 2



OVERALL SIGN STRUCTURE

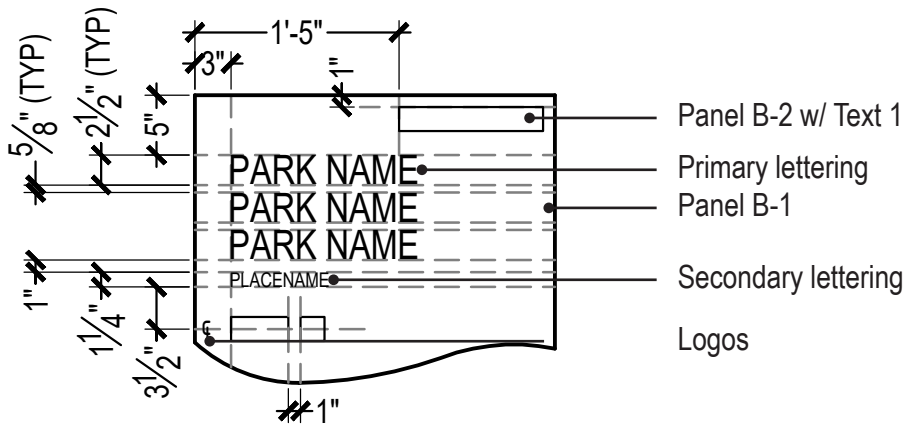


SECONDARY ENTRY SIGN

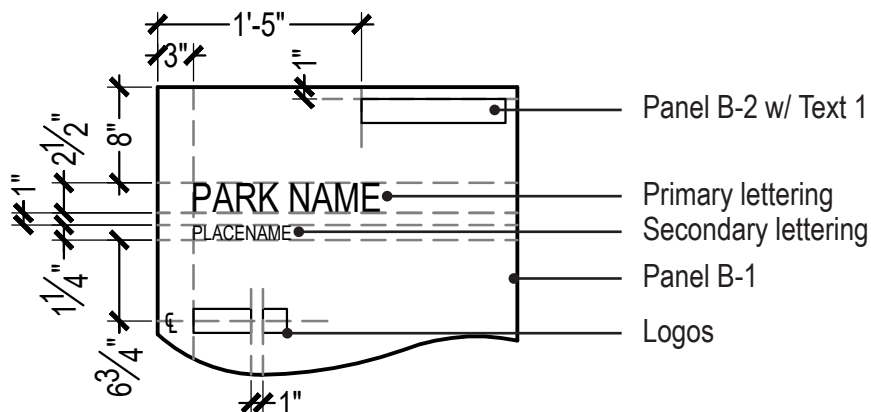
TEXT AND GRAPHICS

Item	Dimensions	Description	Notes
Panel B-1	30" x 24"	High-pressure laminate	Horizontal layout
Panel B-2	8" x 3.75"	Dibond panel mounted to Panel B-1	See page xx for mounting attachment detail
Logos	2" Ht	Printed on Panel B-1	See page xx
Primary Lettering	2.5" Ht, Stellar Bold	Printed on Panel B-1	See page xx
Secondary Lettering	1.25" Ht, Stellar Medium	Printed on Panel B-1	See page xx
Text 1	1" Ht, Stellar Medium	Printed on Panel B-2	See page xx

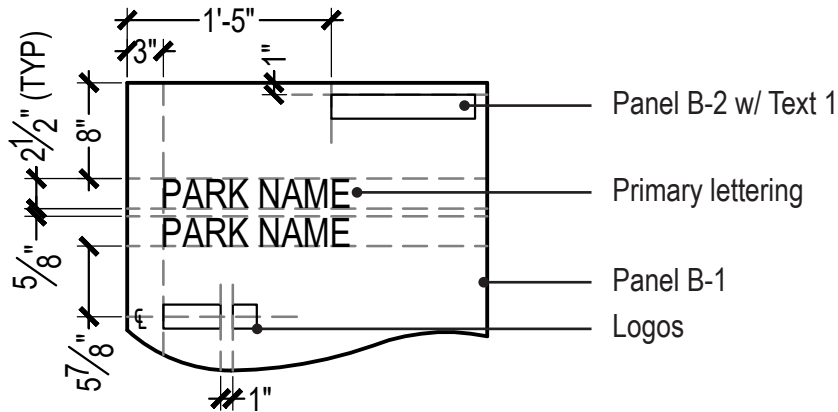
TYPICAL LAYOUT



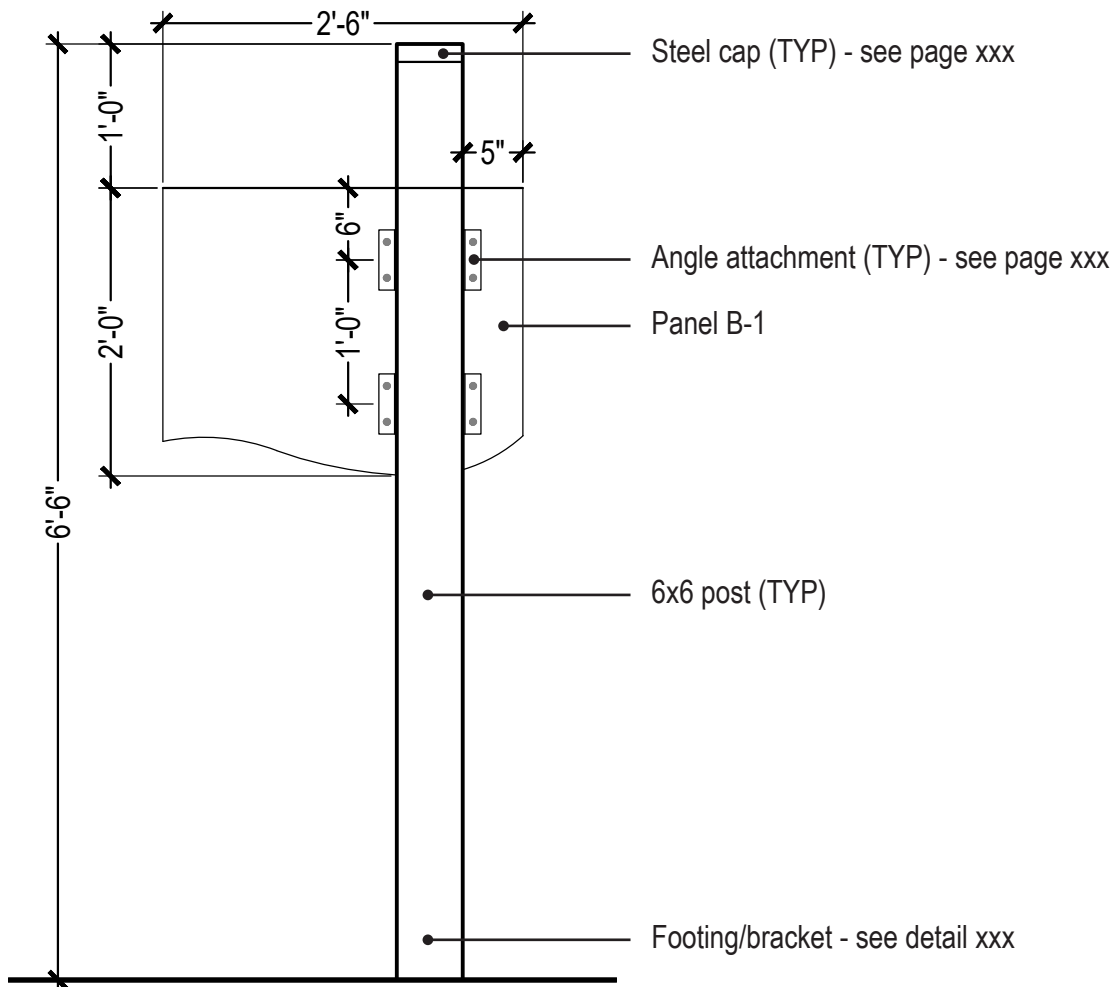
ALTERNATE LAYOUT 1



ALTERNATE LAYOUT 2



OVERALL SIGN STRUCTURE

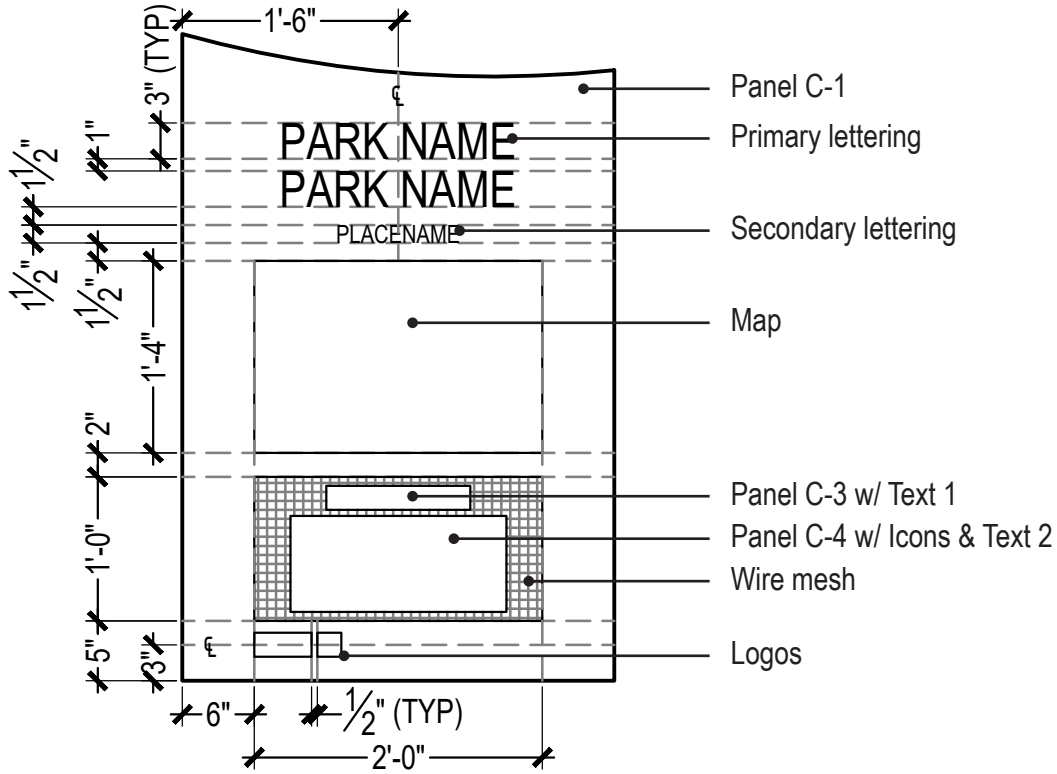


INFORMATION SIGN

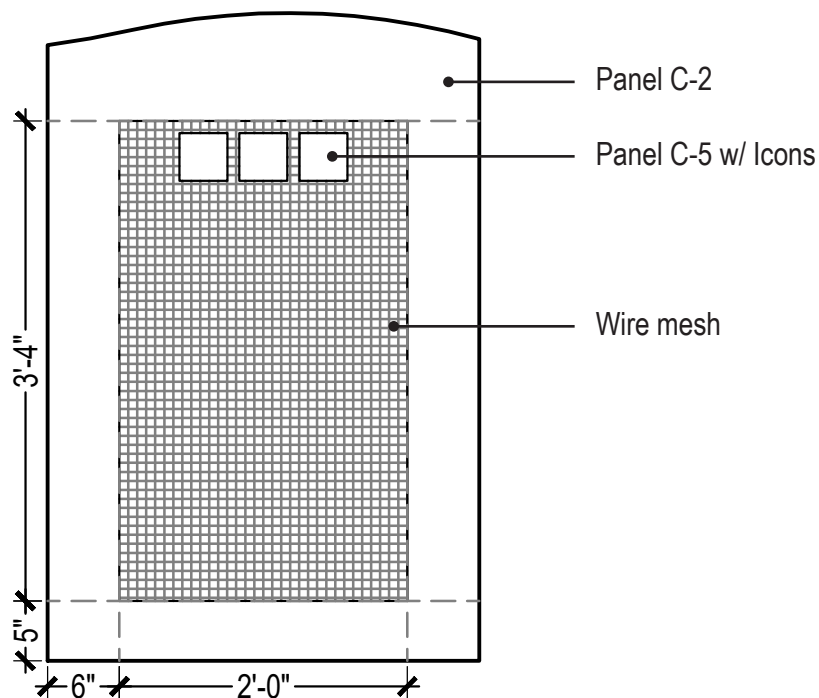
TEXT AND GRAPHICS

<i>Item</i>	<i>Dimensions</i>	<i>Description</i>	<i>Notes</i>
Panel C-1	36" x 54"	High-pressure laminate with 24" x 12" cut out, refer to page xx	Vertical layout
Panel C-2	36" x 54"	High-pressure laminate with 24" x 40" cut out, refer to page xx	Vertical layout
Panel C-3	12" x 2"	Dibond panel mounted to wire mesh on Panel C-1	See page xx for mounting attachment detail
Panel C-4	18" x 8", typical	Dibond panel mounted to wire mesh on Panel C-1	See page xx for mounting attachment detail
Panel C-5	4" x 4"	Dibond panel mounted to wire mesh on Panel C-2	See page xx for mounting attachment detail
Wire Mesh - Panel C-1	2' 1 1/2" x 1' 1 1/2"	14 gauge SS square woven wire mesh with 1/4" x 1/4" opening	See xx for attachment details
Wire Mesh - Panel C-2	2' 1 1/2" x 3' 5 1/2"	14 gauge SS square woven wire mesh with 1/4" x 1/4" opening	See page xx for attachment details
Logos	2" Ht	Printed on Panel C-1	See page xx
Icons	3" Ht	Printed on Panels C-4 & C-5	See page xx
Map	24" x 16"	Printed on Panel C-1	Designed by client
Primary Lettering	3" Ht, Stellar Bold	Printed on Panel C-1	See page xx
Secondary Lettering	1.5" Ht, Stellar Medium	Printed on Panel C-1	See page xx
Text 1	1" Ht, Stellar Medium	Printed on Panel C-3	See page xx
Text 2	0.5" Ht, Stellar Medium	Printed on Panel C-4	See page xx

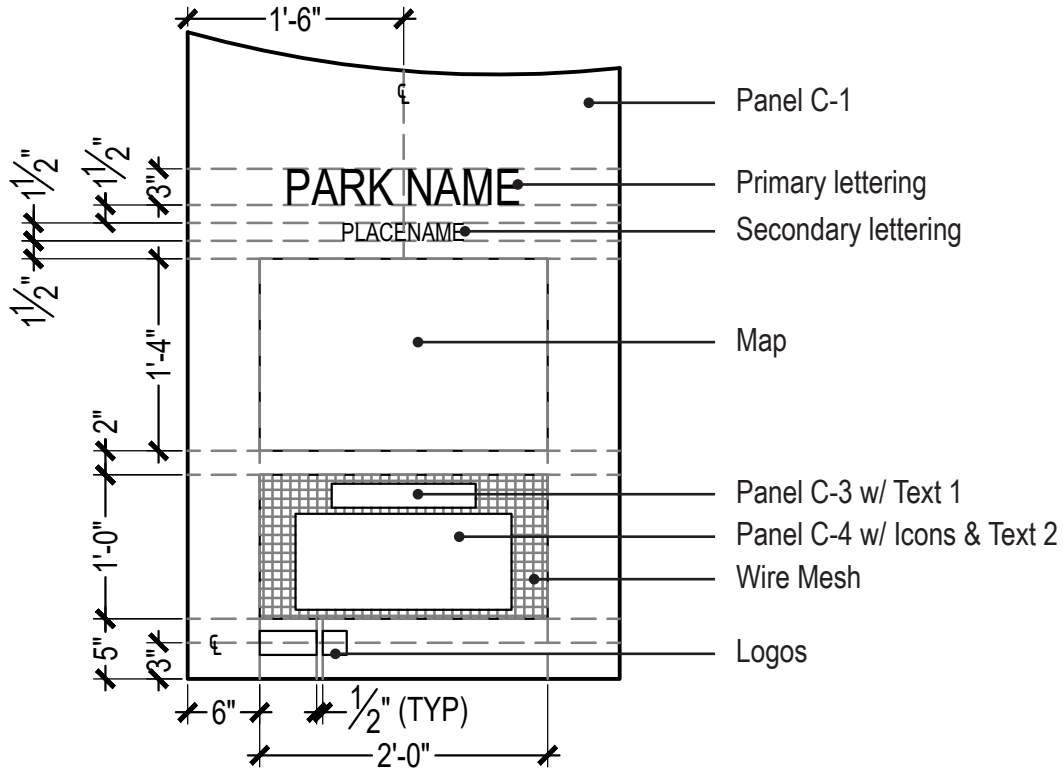
TYPICAL LAYOUT - PANEL C-1



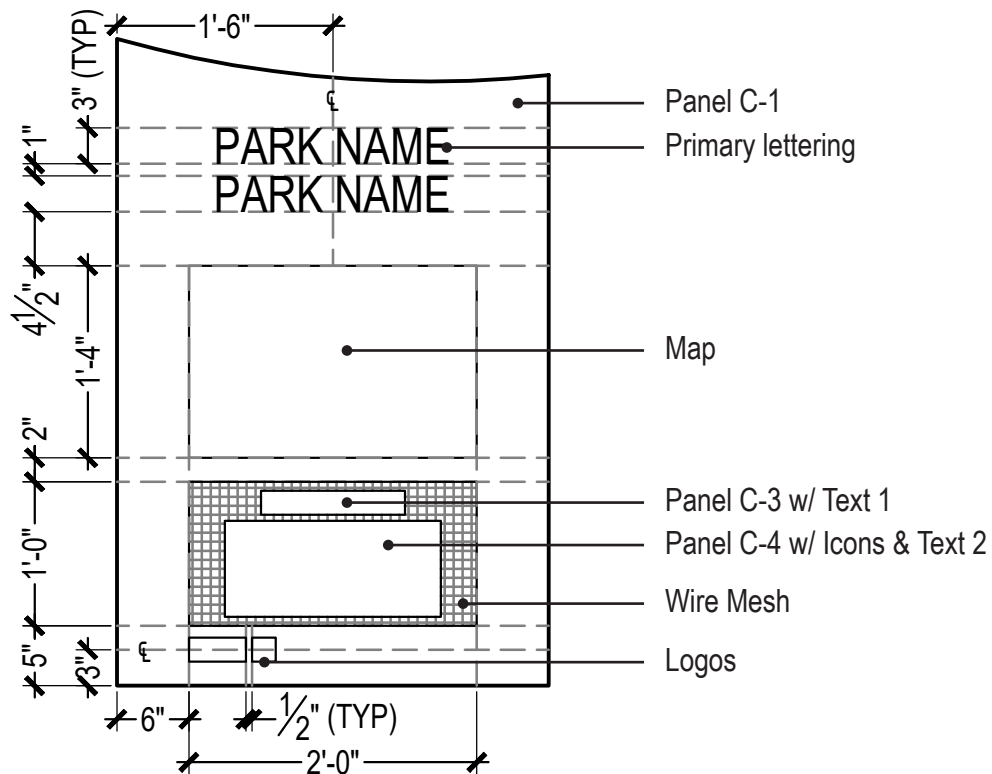
TYPICAL LAYOUT - PANEL C-2



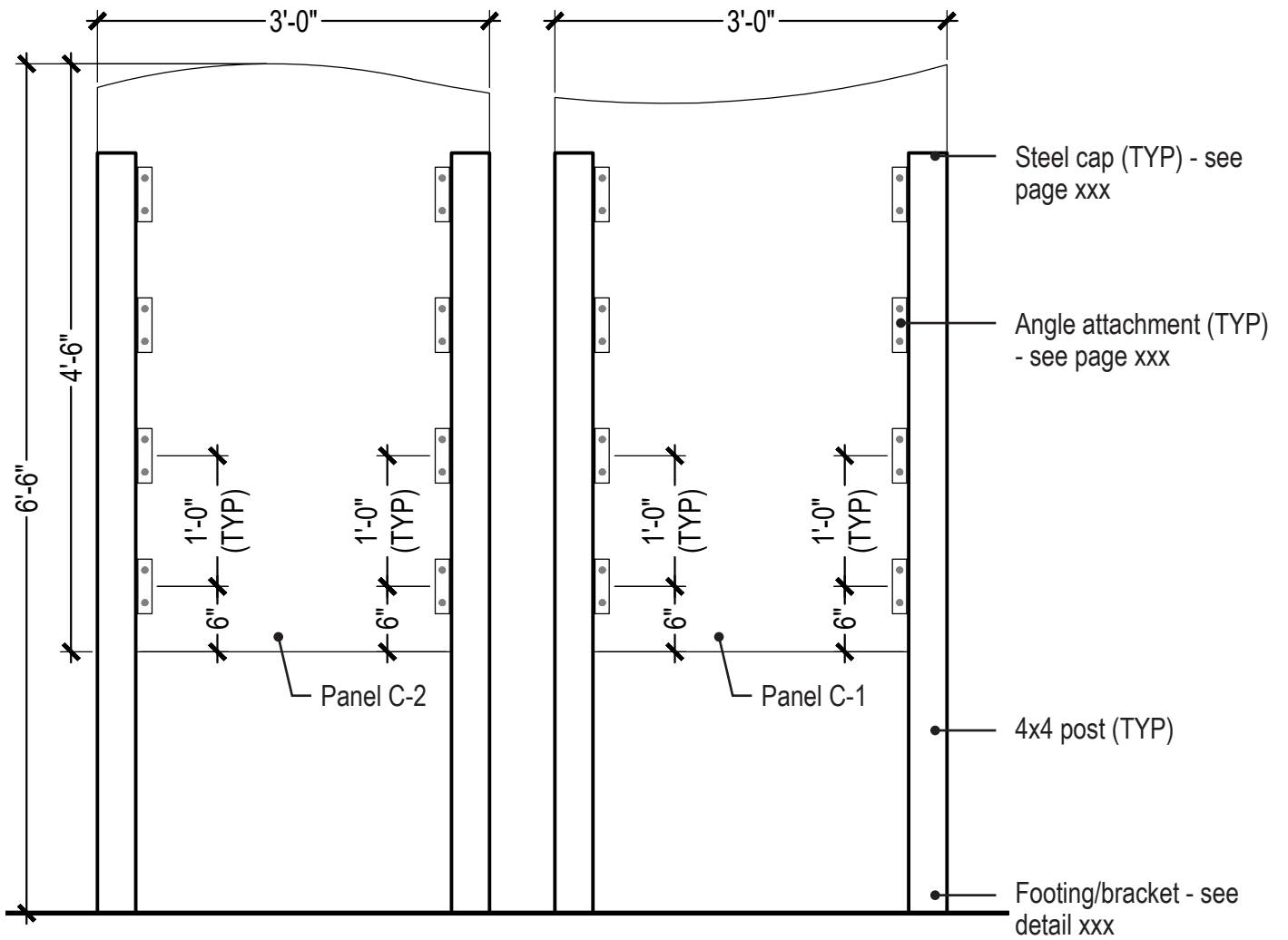
ALTERNATE LAYOUT 1 - PANEL C-1



ALTERNATE LAYOUT 2 - PANEL C-1



OVERALL SIGN STRUCTURE

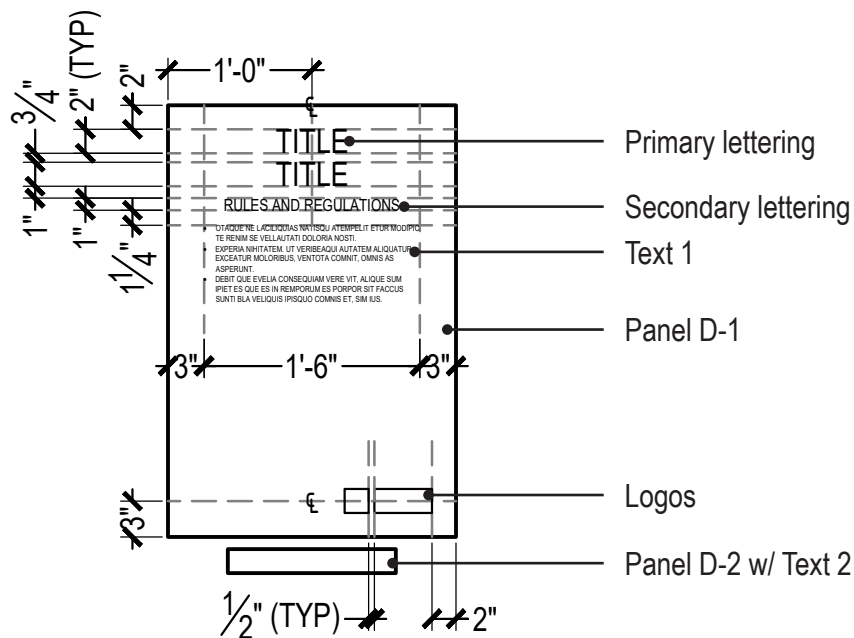


REGULATORY SIGN

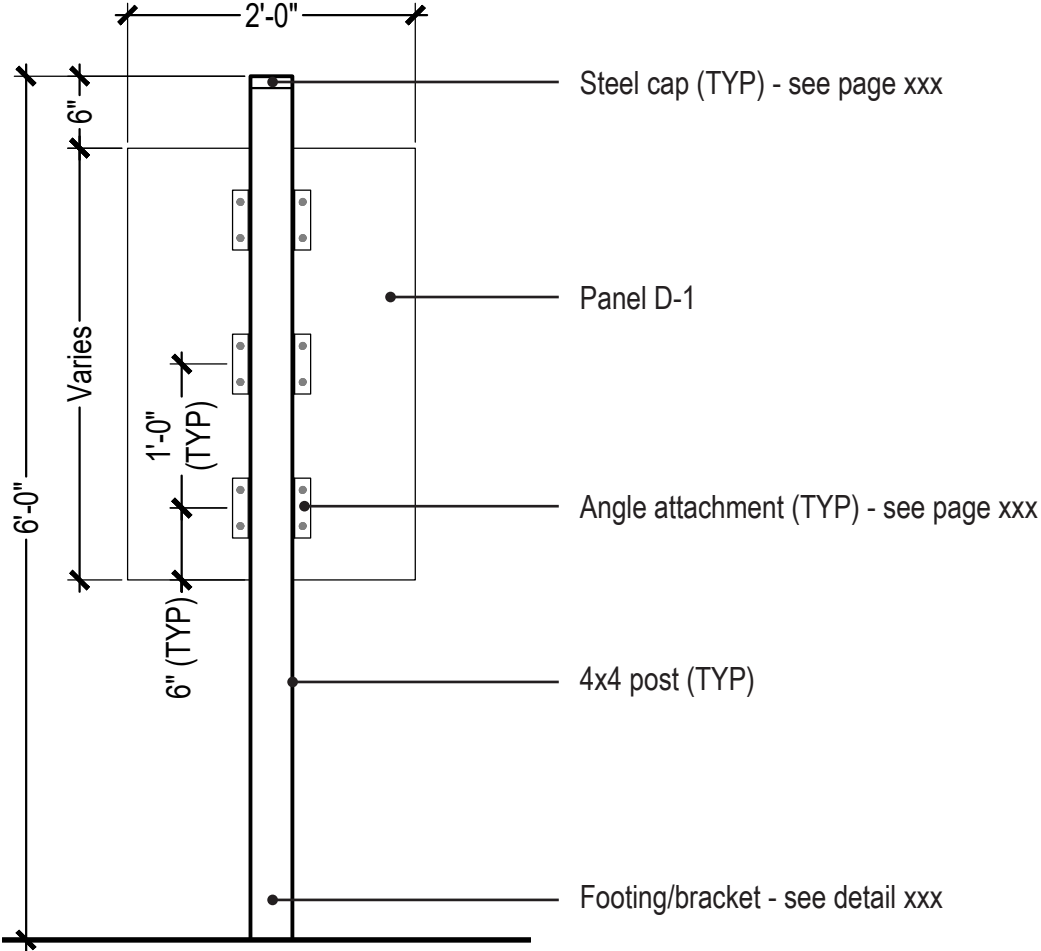
TEXT AND GRAPHICS

Item	Dimensions	Description	Notes
Panel D-1	24" x length varies	High-pressure laminate	Vertical layout
Panel D-2	18" x 2.5"	Dibond Panel attached to Panel D-1	See page xx for attachment details
Logos	1.5" Ht	Printed on Panel D-1	See page xx
Primary Lettering	2" Ht, Stellar Bold	Printed on Panel D-1	See page xx
Secondary Lettering	1" Ht, Stellar Medium	Printed on Panel D-1	See page xx
Text 1	50pt, Stellar Medium	Printed on Panel D-1	See page xx
Text 2	1.5" Ht, Stellar Medium	Printed on Panel D-2	See page xx

TYPICAL LAYOUT



OVERALL SIGN STRUCTURE

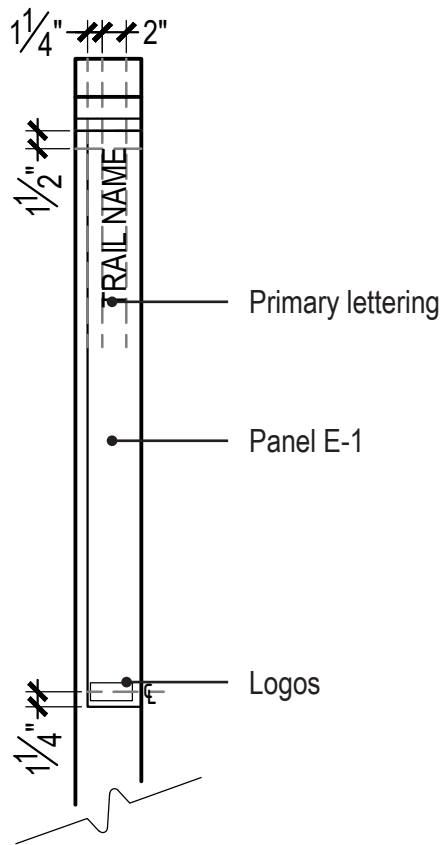


PRIMARY TRAIL MARKER

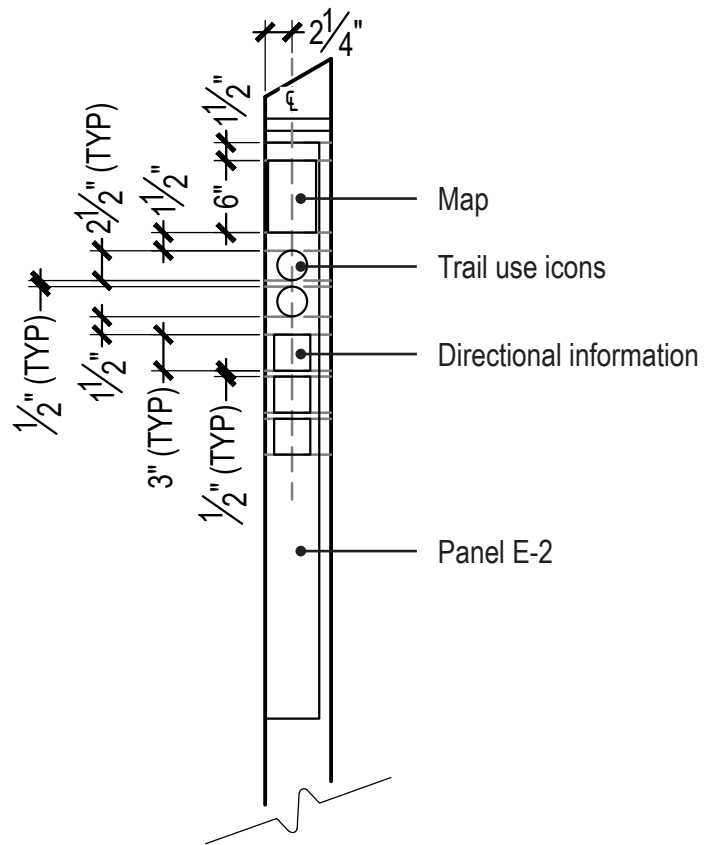
TEXT AND GRAPHICS

Item	Dimensions	Description	Notes
Panel E-1	4.5" x 48"	High-pressure laminate	See page xx for attachment details
Panel E-2	4.5" x 48"	High-pressure laminate	See page xx for attachment details
Logos	1.5" Ht	Printed on Panel E-2	See page xx
Trail Use Icons	2.5" Ht	Printed on Panel E-2	See page xx
Map	4" X 6"	Printed on Panel E-2	Designed by client
Directional Information	3" x 3"	Printed on Panel E-2	See page xx
Primary Lettering	2" Ht, Stellar Bold	Printed on Panel E-1	See page xx

TYPICAL LAYOUT

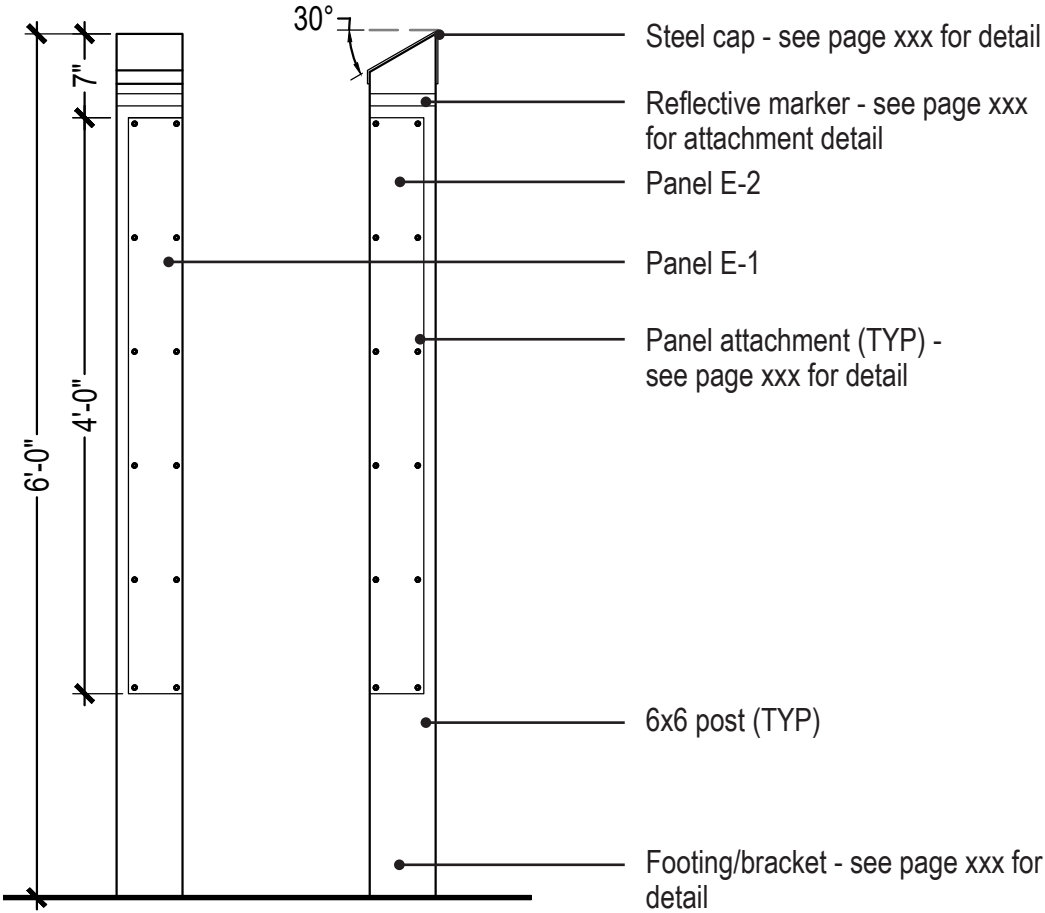


Front View



Side View

OVERALL SIGN STRUCTURE

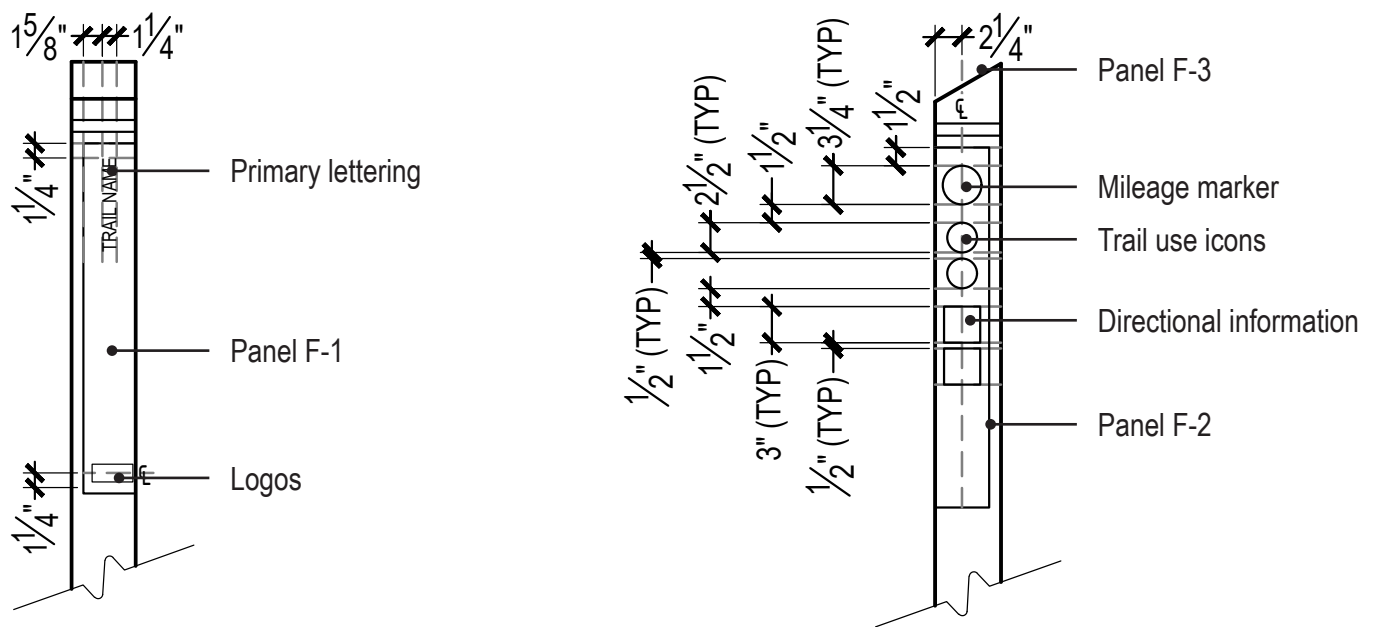


SECONDARY TRAIL MARKER

TEXT AND GRAPHICS

Item	Dimensions	Description	Notes
Panel F-1	4.5" x 30"	High-pressure laminate	See page xx for attachment details
Panel F-2	4.5" x 30"	High-pressure laminate	See page xx for attachment details
Panel F-3	7" x 7"	High-pressure laminate	See page xx, to be used only when specified
Map	7" x 7"	Printed on Panel F-3	Designed by client
Logos	1.5" Ht	Printed on Panel F-2	See page xx for attachment details
Trail Use Icons	2.5" Ht	Printed on Panel F-2	See page xx
Mileage Marker	3.25" Ht	Printed on Panel F-2	See page xx
Directional Information	3" x 3"	Printed on Panel F-2	See page xx
Primary Lettering	1" Ht, Stellar Bold	Printed on Panel F-2	See page xx

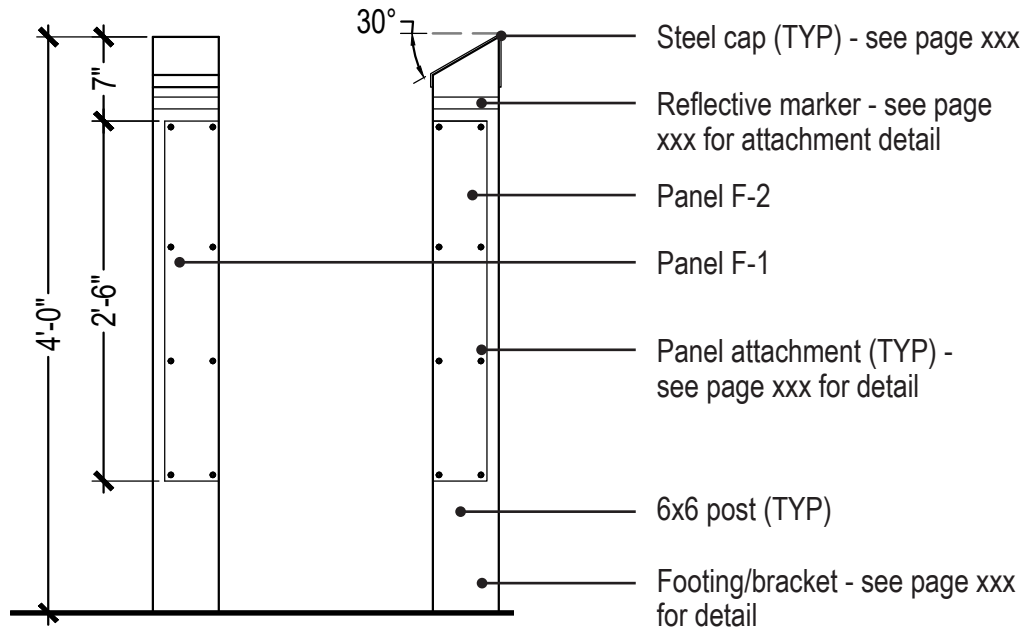
TYPICAL LAYOUT



Front View

Side View

SCALE: 3/4"=1'-0"





SPECIFICATIONS & DETAILS

TYPEFACE AND COLORS

STELLAR - BOLD

ABCDEFGHIJKLMNOPQRSTUVWXYZ
abcdefghijklmnopqrstuvwxyz
012356789

STELLAR - MEDIUM

ABCDEFGHIJKLMNOPQRSTUVWXYZ
abcdefghijklmnopqrstuvwxyz
012356789

PANTONE 432C



Sign Grey

PANTONE 129C



Sign Yellow

PANTONE 7690C



Sign Blue

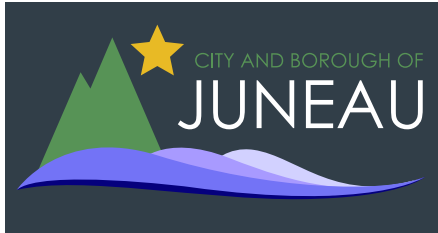
PANTONE 7739C



Sign Green

CBJ AND PARTNER LOGOS

CITY & BOROUGH OF JUNEAU



ROTARY



JUNEAU PARK FOUNDATION



USDA FOREST SERVICE



TRAIL MIX

Need to get a better logo from Trail Mix that can be read on a dark background



TRAIL MIX, INC.
TRAILMIXINC.ORG

LAND, WATER, CONSERVATION FUND



Have sent additional Trail Mix logos

Terms of Use TBD

ICONS

PARK- & TRAIL-USE ICONS

The park and trail-use icons are used on the Information Sign and the Primary and Secondary Trail Marker. Permitted use icons will be displayed in a circle with a Pantone 7739C outline. Non-permitted uses will be in a circle with a Pantone 1797C outline and angled line. Refer to specific sign details for icon sizes.



MAP ICONS

The map icons are used on the maps to show locations of activities, recreation opportunities, parking, or information signs. The icons will be displayed in a solid color circle. The size and color are to be determined by the map illustrator on a case-by-case basis.



TRAIL DIRECTIONAL ICONS

The trail directional icons are used on the Primary and Secondary Trail Marker. A 3"x3" square (Pantone 7690C) will contain both a white icon and a white arrow. The arrow will be 0.75" in length. The icon will not exceed 1.5" in width OR height.



MILEAGE MARKER

The mileage markers are used on the Secondary Trail Marker. A 3.25" diameter circle (Pantone 7739C) will contain 1" height white letters and numbers, centered in the middle. The numbers will sit above the letters "MI".



ARROWS



ICONS



One more symbol
request- rockfall
danger

STANDARD SPECIFICATIONS

MATERIALS

Metals, General:

- Provide materials with smooth, flat surfaces without blemishes. Do not use materials with exposed pitting, seam marks, roller marks, rolled trade names, or roughness.
- Steel, aluminum or stainless steel will be detailed in accordance with standard industry practice and suitable for the use intended.
- Remove tool and die marks and stretch lines.
- Fasteners and connectors used together will be compatible.

Metals

- Stainless Steel: Type 304 or 316
- Aluminum: 6061-T6 alloy

Custom High-Pressure Laminate:

- Custom High-Pressure Laminate material will be composed of the required layers of FSC Certified phenolic resin impregnated brown or black kraft filler paper to produce 1/2" thick panels, surfaced by a layer of melamine overlay, graphics imaged on saturation grade paper with UV resistant pigment based process color inks, and with an optically clear UV overlay that will resist no less than 99% of all sunlight and UV rays, as well as provides a graffiti resistant surface that allows for removal with standard cleaners.

Dibond:

- Aluminum composite material comprised of two pre-painted sheets of 0.012" aluminum with a solid polyethylene core.

Dimensional Lumber:

- Yellow Cedar: Select grade or better.
- Surfaced smooth on four sides with eased edges; kiln dried, free of knots, solid stock of species indicated.

Woven Wire Mesh Assemblies:

- Woven wire mesh: Square, Stainless Steel, Type 304, Woven - Plain Weave, 3 x 3 Mesh (Square), 0.2533" x 0.2533" Opening (Square), 0.080" Thick (14 Gauge) Wire Diameter, 58% Open Area.
- Accessories: U-Edging, Stainless Steel, Type 304, 14 Gauge (.0781" Thick), Type 401 U-Edging (1/4" Opening x 1" Width)

Reflective Marker:

- Exterior-grade reflective vinyl adhered to 0.080" aluminum plate. One piece construction, bent to match required dimensions of post reveal.

FINISHES

Metals:

- General: Polished, sanded, or otherwise finished; smooth all surfaces, free from burrs, barbs, splinters, and sharpness; all edges and ends rolled, rounded, or capped.
- Steel: Mill finish.
- Stainless Steel: Mill finish.
- Aluminum: Mill finish.

Custom High-Pressure Laminate:

- Matte finish.

Dibond:

- Flood coat varnish.

Sections to be added for footing materials- post bases, concrete, rebar, etc.

HARDWARE

General:

- Type 304 stainless-steel fasteners for exterior use (unless otherwise noted)

High-Pressure Laminate Panel Attachments:

- This includes HPL to HPL, Dibond, Steel Caps, Wire Mesh
- 1/4-20 x 5/8" tamper-proof button head socket cap screw, black oxide alloy steel
- (lengths of fasteners for each connection type to be confirmed)

Aluminum Angle and Steel Cap Attachment to Posts:

- #10 1-1/2" button head machine screws

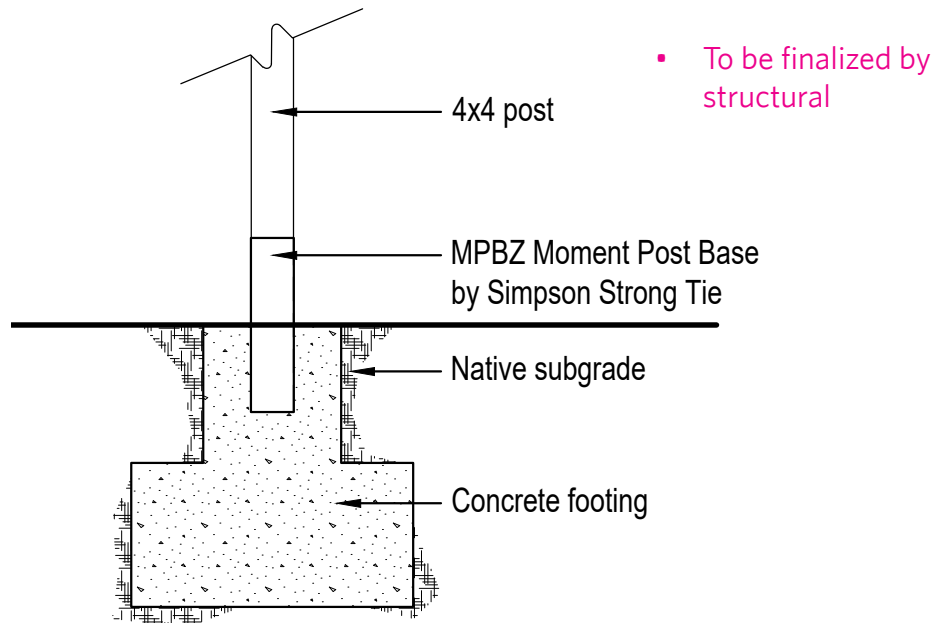
FABRICATION

- Form to required shapes and sizes with true, consistent lines, and angles.
- Cut, drill, and punch metals cleanly and accurately. Remove burrs and ease edges to a radius of approximately 1/32 inch, unless otherwise indicated. Remove sharp or rough areas on exposed surfaces.
- Form bent-metal corners to smallest radius possible without causing grain separation or otherwise impairing work.
- Form exposed work true to line and level with accurate angles and surfaces and straight edges.
- Cut, reinforce, drill, and tap metal fabrications as indicated to receive finish hardware, screws, and similar items.
- Provide for anchorage of type indicated; coordinate with supporting structure. Space anchoring devices to secure metal fabrications rigidly in place and to support indicated loads.

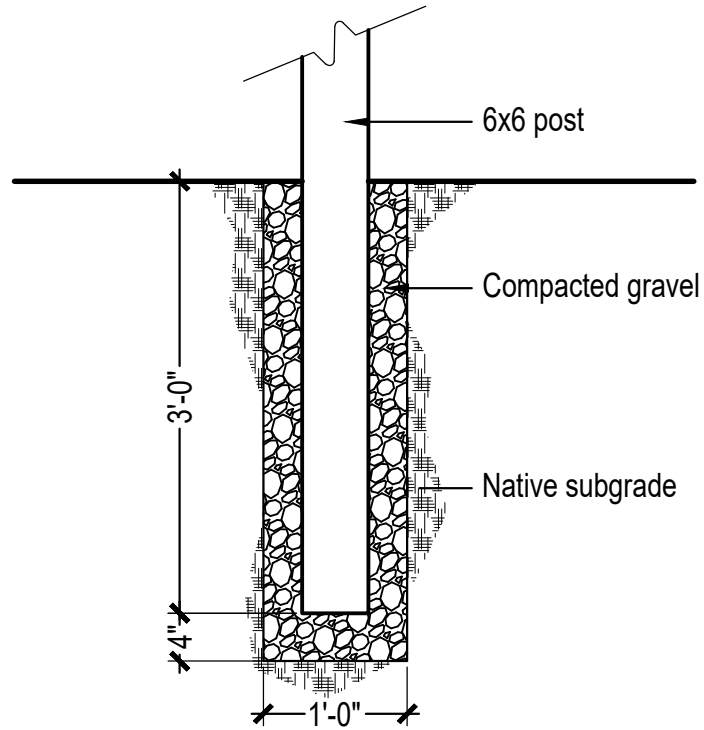
SIGN FOOTING DETAILING

6X6 POST FOOTING (TBD)

4X4 POST FOOTING W/ STAINLESS STEEL BRACKET



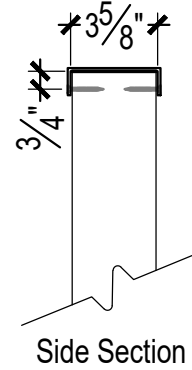
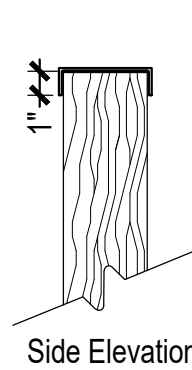
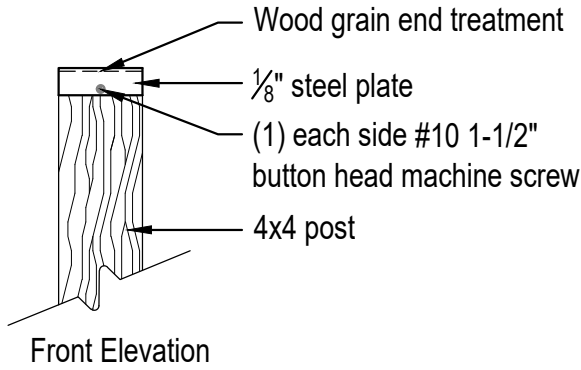
SECONDARY TRAIL MARKER - DIRECT BURY



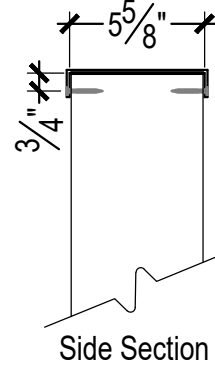
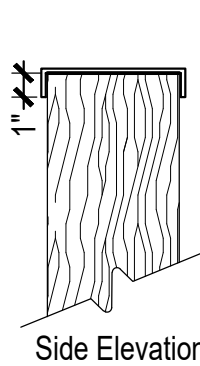
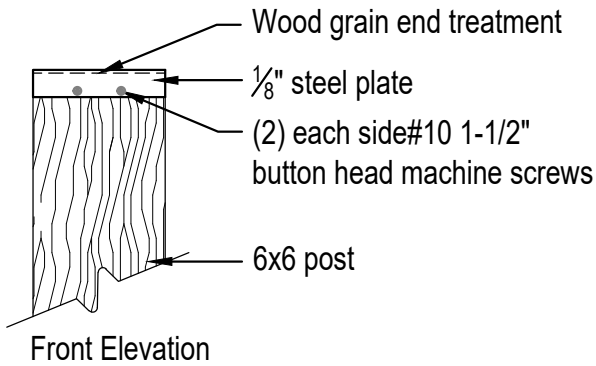
POST CAP DETAILING

STEEL CAP DETAIL

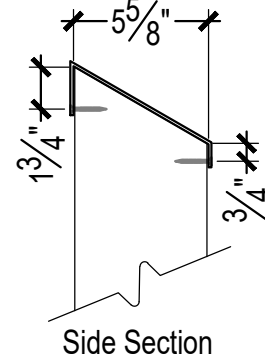
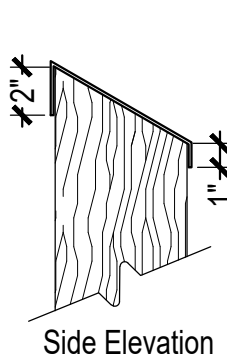
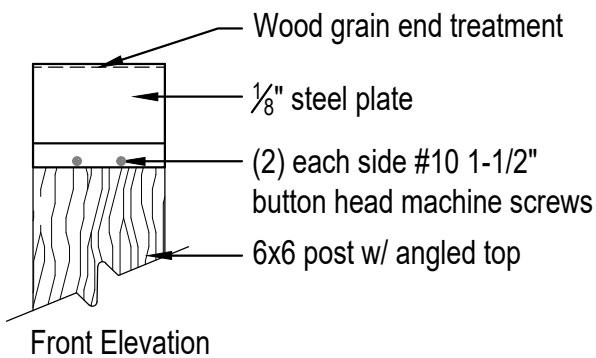
SCALE: 1-1/2"=1'-0"



4x4 Post



6x6 Post

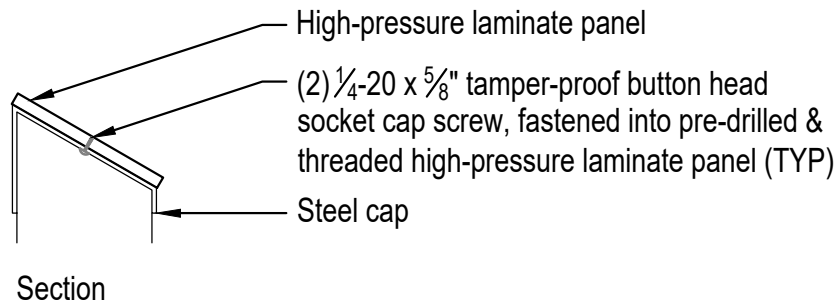
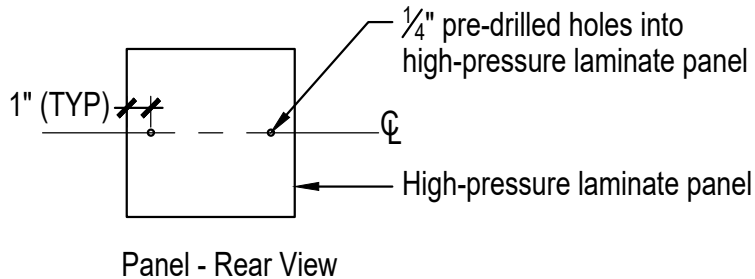


6x6 Post - Angled Top

LAMINATE TO POST DETAILING

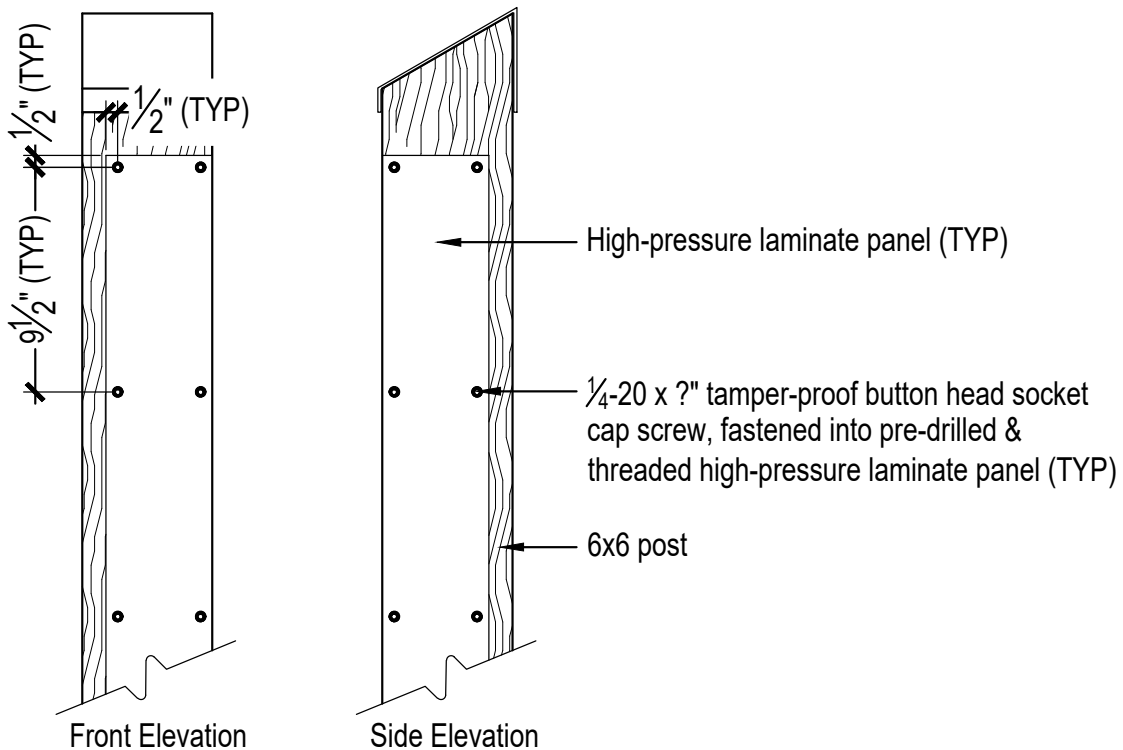
HIGH-PRESSURE LAMINATE SIGN TO STEEL CAP ATTACHMENT

SCALE: 1-1/2"=1'-0"



HIGH-PRESSURE LAMINATE SIGN TO POST ATTACHMENT

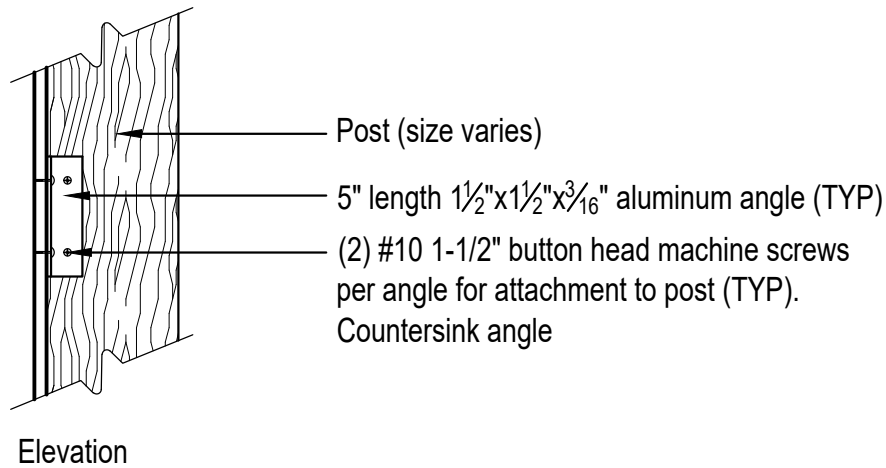
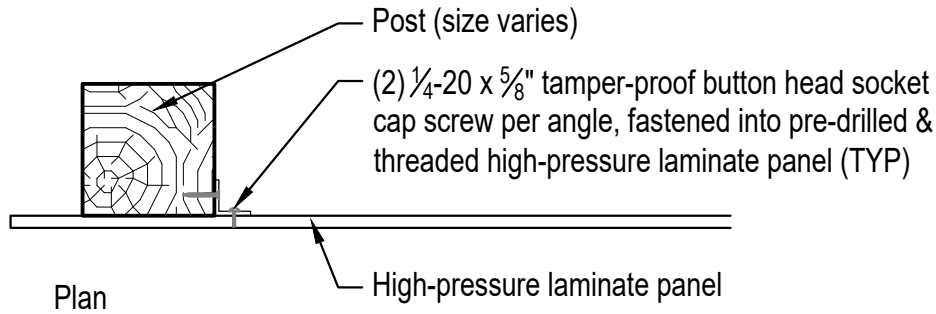
SCALE: 1-1/2"=1'-0"



ALUMINUM ANGLE DETAILING

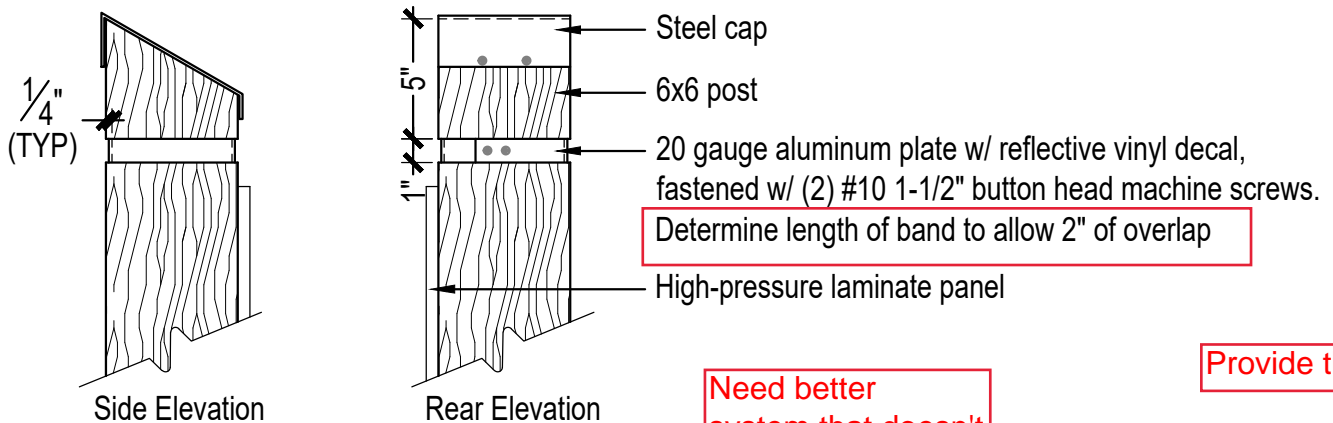
ALUMINUM ANGLE ATTACHMENT

SCALE: 1-1/2"=1'-0"



REFLECTIVE MARKER TO POST ATTACHMENT

SCALE: 1-1/2"=1'-0"



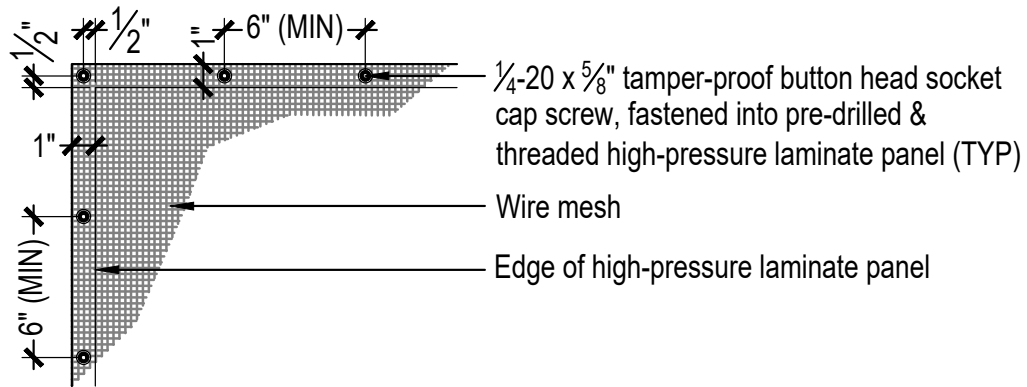
Need better system that doesn't involve need to router the wood

Provide this length

WIRE MESH DETAILING

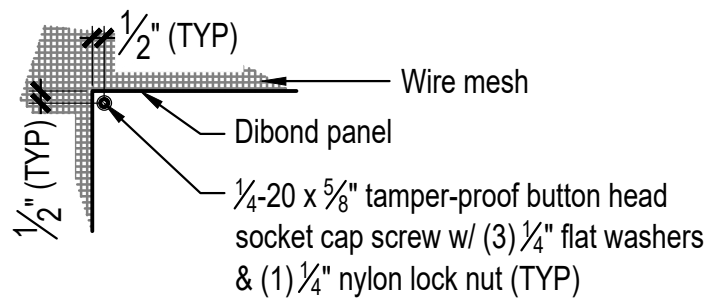
WIRE MESH TO HIGH-PRESSURE LAMINATE ATTACHMENT

SCALE: 1-1/2"=1'-0"



DIBOND PANEL TO WIRE MESH ATTACHMENT

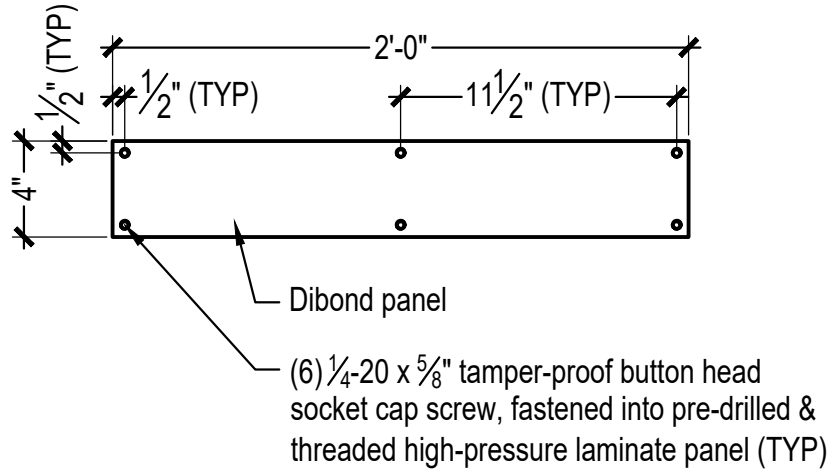
SCALE: 1-1/2"=1'-0"



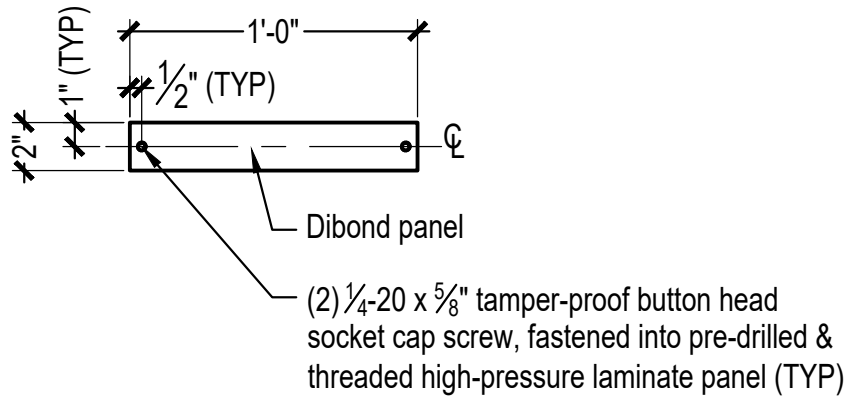
DIBOND DETAILING

DIBOND PANEL TO HIGH-PRESSURE LAMINATE ATTACHMENT

SCALE: 1-1/2"=1'-0"



Large Panel



Small Panel

DIBOND PANEL TO HIGH-PRESSURE LAMINATE ATTACHMENT

- Attachment - dibond to bottom of HPL



COST ESTIMATES

PRIMARY ENTRY SIGN

COST ESTIMATE

Section	Item	Quantity	Unit	Cost	Extended
1.0 Graphic Elements					
	1.01 High-Pressure Laminate Panel (3'6"x7')	23	SF	\$ 50.00	\$ 1,150.00
	1.02 Dibond Panel (4"x24")	1	EA	\$ 30.00	\$ 30.00
1.0 Section Total					\$ 1,180.00
2.0 Installation					
	2.01 6x6 Yellow Cedar Post	2	EA	\$ 200.00	\$ 400.00
	2.02 Steel Bracket	2	EA	\$ 250.00	\$ 500.00
	2.03 Concrete Footing	2	EA	\$ -	\$ -
	2.04 Steel Cap	2	EA	\$ 100.00	\$ 200.00
	2.05 Hardware	1	LS	\$ 150.00	\$ 150.00
2.0 Section Total					\$ 1,250.00
	Mobilization	10%			\$ 243.00
Sign Subtotal					\$ 2,673.00
	Profit & Markup	10%			\$ 267.30
Sign Total					\$ 2,940.30
Contingencies					
	Construction Contingency	10%			\$ 294.03
Contingency Total					\$ 294.03
Estimate Grand Totals					
Grand Total Estimate					\$ 3,234.33

SECONDARY ENTRY SIGN

COST ESTIMATE

Section	Item	Quantity	Unit	Cost	Extended
1.0 Graphic Elements					
	1.01 High-Pressure Laminate Panel (2'x2'6")	5	SF	\$ 50.00	\$ 250.00
	1.02 Dibond Panel (2"x12")	1	EA	\$ 15.00	\$ 15.00
1.0 Section Total					\$ 265.00
2.0 Installation					
	2.01 6x6 Yellow Cedar Post	1	EA	\$ 200.00	\$ 200.00
	2.02 Steel Bracket	1	EA	\$ 250.00	\$ 250.00
	2.03 Concrete Footing	1	EA	TBD	\$ -
	2.04 Steel Cap	1	EA	\$ 100.00	\$ 100.00
	2.05 Hardware	1	LS	\$ 150.00	\$ 150.00
2.0 Section Total					\$ 700.00
	Mobilization	10%			\$ 96.50
Sign Subtotal					\$ 1,061.50
	Profit & Markup	10%			\$ 106.15
Sign Total					\$ 1,167.65
Contingencies					
	Construction Contingency	10%			\$ 116.77
Contingency Total					\$ 116.77
Estimate Grand Totals					
Grand Total Estimate					\$ 1,284.42

INFORMATION SIGN

COST ESTIMATE

Section	Item	Quantity	Unit	Cost	Extended
1.0 Graphic Elements					
	1.01 High-Pressure Laminate Panel (3'x4'6")	26	SF	\$ 50.00	\$ 1,300.00
	1.01 Dibond Panel (8.5"x11")	1	EA	\$ 30.00	\$ 30.00
	1.02 Wire Mesh	10	SF	\$ 20.00	\$ 200.00
1.0 Section Total					\$ 1,530.00
2.0 Installation					
	2.01 4x4 Yellow Cedar Post	4	EA	\$ 150.00	\$ 600.00
	2.02 Steel Bracket	4	EA	\$ 200.00	\$ 800.00
	2.03 Concrete Footing	4	EA	TBD	\$ -
	2.04 Steel Cap	4	EA	\$ 100.00	\$ 400.00
	2.05 Hardware	1	LS	\$ 250.00	\$ 250.00
2.0 Section Total					\$ 2,050.00
	Mobilization	10%			\$ 358.00
Sign Subtotal					\$ 3,938.00
	Profit & Markup	10%			\$ 393.80
Sign Total					\$ 4,331.80
Contingencies					
	Construction Contingency	10%			\$ 433.18
Contingency Total					\$ 433.18
Estimate Grand Totals					
Grand Total Estimate					\$ 4,764.98

REGULATORY SIGN

COST ESTIMATE

Section	Item	Quantity	Unit	Cost	Extended
1.0 Graphic Elements					
	1.01 High-Pressure Laminate Panel (2'x3')	6	SF	\$ 50.00	\$ 300.00
	1.02 Dibond Panel (2.5"x18")	1	EA	\$ 30.00	\$ 30.00
1.0 Section Total					\$ 330.00
2.0 Installation					
	2.01 4x4 Yellow Cedar Post	1	EA	\$ 150.00	\$ 150.00
	2.02 Steel Bracket	1	EA	\$ 200.00	\$ 200.00
	2.03 Concrete Footing	1	EA	TBD	\$ -
	2.04 Steel Cap	1	EA	\$ 100.00	\$ 100.00
	2.05 Hardware	1	LS	\$ 150.00	\$ 150.00
2.0 Section Total					\$ 600.00
	Mobilization	10%			\$ 93.00
Sign Subtotal					\$ 1,023.00
	Profit & Markup	10%			\$ 102.30
Sign Total					\$ 1,125.30
Contingencies					
	Construction Contingency	10%			\$ 112.53
Contingency Total					\$ 112.53
Estimate Grand Totals					
Grand Total Estimate					\$ 1,237.83

PRIMARY TRAIL MARKER

COST ESTIMATE

Section	Item	Quantity	Unit	Cost	Extended
1.0 Graphic Elements					
	1.01 High-Pressure Laminate Panel (4.5"x48")	3	SF	\$ 50.00	\$ 150.00
	1.02 Reflective Marker	1	EA	\$ 25.00	\$ 25.00
1.0 Section Total					\$ 175.00
2.0 Installation					
	2.01 6x6 Yellow Cedar Post	1	EA	\$ 200.00	\$ 200.00
	2.02 Steel Bracket	1	EA	\$ 250.00	\$ 250.00
	2.03 Concrete Footing	1	EA	TBD	\$ -
	2.04 Steel Cap	1	EA	\$ 150.00	\$ 150.00
	2.05 Hardware	1	LS	\$ 75.00	\$ 75.00
2.0 Section Total					\$ 675.00
	Mobilization	10%			\$ 85.00
Sign Subtotal					\$ 935.00
	Profit & Markup	10%			\$ 93.50
Sign Total					\$ 1,028.50
Contingencies					
	Construction Contingency	10%			\$ 102.85
Contingency Total					\$ 102.85
Estimate Grand Totals					
Grand Total Estimate					\$ 1,131.35

SECONDARY TRAIL MARKER

COST ESTIMATE

Section	Item	Quantity	Unit	Cost	Extended
1.0 Graphic Elements					
	1.01 High-Pressure Laminate Panel (4.5"x30")	2	SF	\$ 50.00	\$ 100.00
	1.02 High-Pressure Laminate Panel (7"x7")	0.5	SF	\$ 50.00	\$ 25.00
	1.03 Reflective Marker	1	EA	\$ 25.00	\$ 25.00
1.0 Section Total					\$ 150.00
2.0 Installation					
	2.01 6x6 Yellow Cedar Post	1	EA	\$ 200.00	\$ 200.00
	2.02 Compacted Gravel Footing	1	EA	\$ 500.00	\$ 500.00
	2.03 Steel Cap	1	EA	\$ 150.00	\$ 150.00
	2.04 Hardware	1	LS	\$ 75.00	\$ 75.00
2.0 Section Total					\$ 925.00
	Mobilization	10%			\$ 107.50
Sign Total					\$ 1,182.50
	Profit & Markup	10%			\$ 118.25
Sign Total					\$ 1,300.75
Contingencies					
	Construction Contingency	10%			\$ 130.08
Contingency Total					\$ 130.08
Estimate Grand Totals					
Grand Total Estimate					\$ 1,430.83