



ADDENDUM TO THE CONTRACT

for the

RAINFOREST RECOVERY CENTER EXTERIOR UPGRADE Contract No. BE21-144

ADDENDUM NO.: TWO

CURRENT DEADLINE FOR BIDS:
April 6, 2021

PREVIOUS ADDENDA: ONE

ISSUED BY: City and Borough of Juneau
ENGINEERING DEPARTMENT
155 South Seward Street
Juneau, Alaska 99801

PREVIOUS DEADLINE FOR BIDS:
March 31, 2021

DATE ADDENDUM ISSUED: March 30, 2021

The following items of the contract are modified as herein indicated. All other items remain the same. This addendum has been issued and is posted online. Please refer to the CBJ Engineering Contracts Division webpage at: <http://www.juneau.org/engineering-public-works>

INFORMATION ITEMS:

- ❖ Vinyl Carpentry Soffit and Vertical Siding information
- ❖ Seal-Tite Industrial Gutter and Downspout information

PROJECT MANUAL:

- Item No. 1 SECTION 00030 – NOTICE INVITING BIDS. DEADLINE FOR BIDS.
Change the date of the Deadline for Bids **from** March 31, 2021, **to** April 6, 2021. The time remains the same.
- Item No. 2 SECTION 00800 – SUPPLEMENTARY GENERAL CONDITIONS, SGC 6.6 PERMITS.
Add the following Paragraph:
“E. Owner will obtain CBJ Building Permit.”
- Item No. 3 **Add** the attached SECTION 074640 – VINYL AND POLYMER SOFFIT PANELS

DRAWINGS:

- Item No. 1 SHEET A801 – EXTERIOR DETAILS, Detail No. 2 Eave Detail TYP
Delete “5/8” Vinyl Soffit and J-Trim by MFR”
and **replace with** “3/4” Vinyl Soffit and J-Trim by MFR”

By: 
Greg Smith,
Contract Administrator

Total number of pages contained within this Addendum: 20

Vinyl Carpentry[®]

Soffit and Vertical Siding

CertainTeed
SAINT-GOBAIN

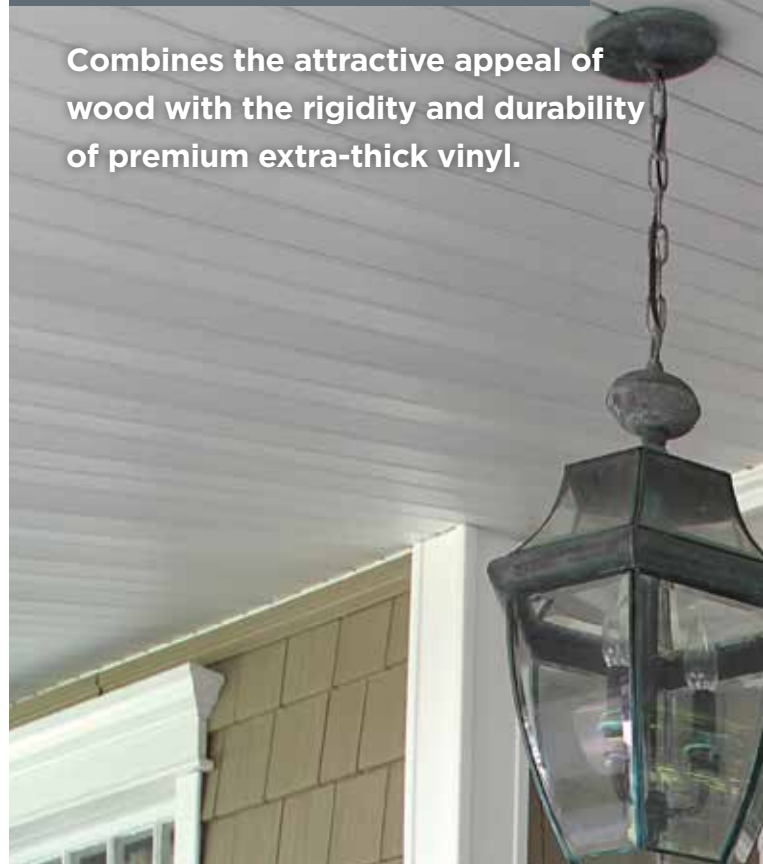
CHAMFER BOARD™ DOUBLE 5"

The authentic look of beveled-edge wood plus the durability of vinyl siding.



IRONMAX™ DOUBLE 5"

Combines the attractive appeal of wood with the rigidity and durability of premium extra-thick vinyl.



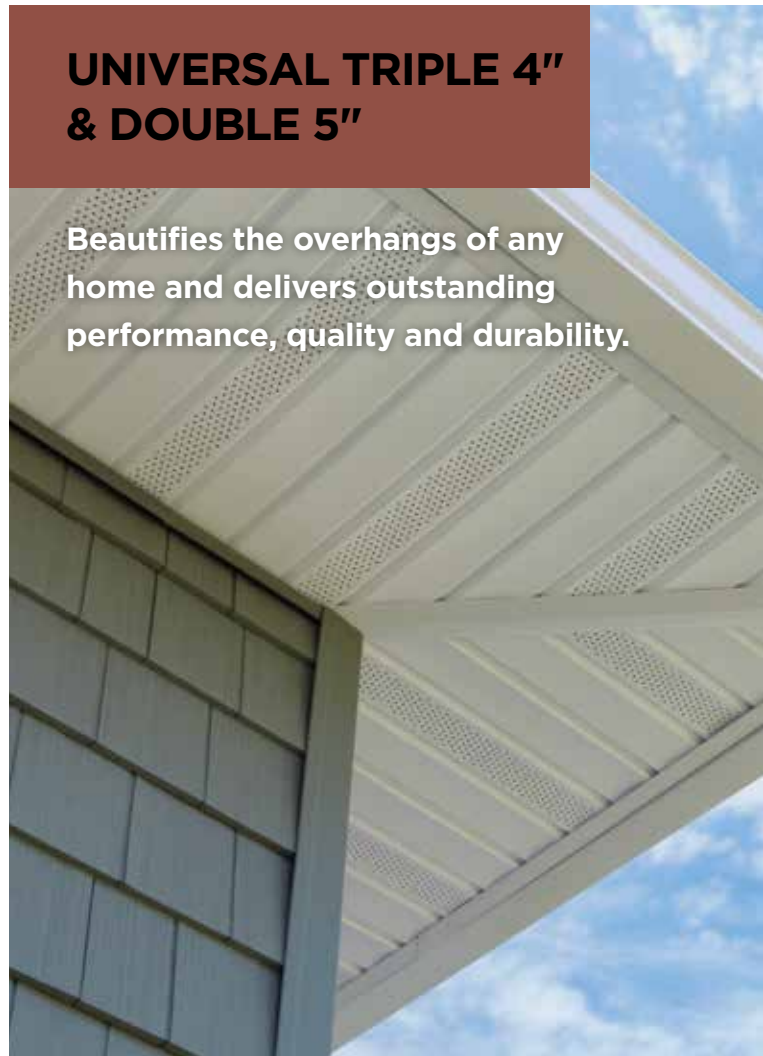
BEADED TRIPLE 2"

The classic appearance of wainscoting offers the look of fine detailing and craftsmanship.



UNIVERSAL TRIPLE 4" & DOUBLE 5"

Beautifies the overhangs of any home and delivers outstanding performance, quality and durability.



Triple 3-1/3" InvisiVent has the highest ventilation performance of any vinyl soffit available today.

TRIPLE 3-1/3"
INVISIVENT® AND SOLID S



Soffit: Triple 3-1/3" InvisiVent Soffit in colonial white.
Siding: CedarBoards Double 6" Clapboard in sable brown.

Perimeter Triple 3-1/3" offers a smooth, flat surface and provides the perfect balance of aesthetics and performance.

PERIMETER™
TRIPLE 3-1/3"

Front Cover

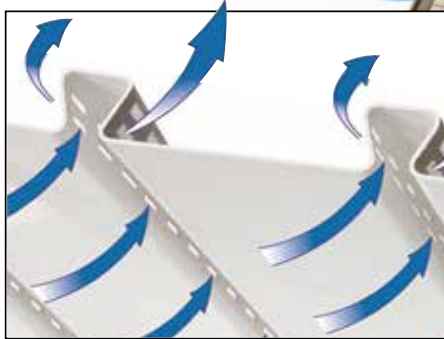
Soffit: Triple 3-1/3" InvisiVent Soffit in colonial white.
Siding: Cedar Impressions Double 7" Straight Edge Perfection in buckskin.
Trim: Vinyl Carpentry® & Restoration Millwork®.

Shown Here

Soffit: Perimeter Triple 3-1/3" Soffit in colonial white.
Siding: Cedar Impressions Double 7" Perfection Shingles in charcoal gray.
Trim: Vinyl Carpentry® & Restoration Millwork®.

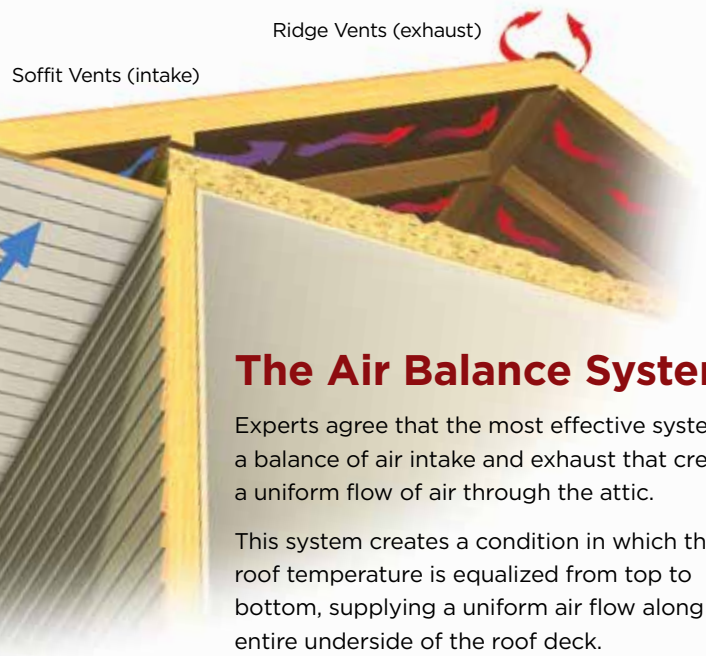
PROPER VENTILATION IS VITAL

Protection against damage to the roofing materials and structure increase comfort inside the home and energy savings.



Triple 3-1/3" InvisiVent and Hidden Vent offers at least 50% more ventilation than most standard vinyl soffit, providing more than 10" of net-free intake area.

This means that not only will InvisiVent provide a balanced ventilation system, but will do so with an overhang as short as 10".



The Air Balance System

Experts agree that the most effective system is a balance of air intake and exhaust that creates a uniform flow of air through the attic.

This system creates a condition in which the roof temperature is equalized from top to bottom, supplying a uniform air flow along the entire underside of the roof deck.

Hidden vents provide a smooth, flat non-perforated surface versus most vented soffits with unsightly perforations.



Triple 3-1/3" InvisiVent



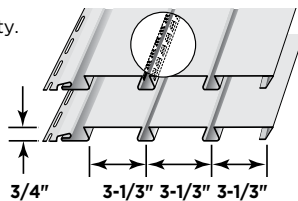
Standard vented soffit

TECHNICAL VENTILATION REQUIREMENTS

Soffit Profile	Net-free intake area/ Square Foot	Panel Thickness
Triple 3-1/3" InvisiVent	10"	.044"
Perimeter Triple 3-1/3" Hidden Vent	9.65"	.040"
Ironmax Double 5" Fully Vented	6.4"	.046"
Beaded Triple 2" Invisibly Vented	1.6"	.039"
Universal Triple 4" Fully Vented	5.9"	.040"
Universal Triple 4" Center Vented	2"	.040"
Universal Double 5" Fully Vented	6.4"	.040"
Value Triple 4" Fully Vented	5.9"	.036"
Value Triple 4" Center Vented	2"	.036"
Value Double 5" Fully Vented	6.4"	.036"

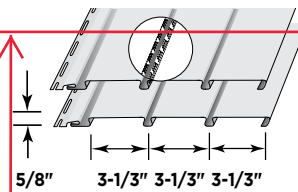
Triple 3-1/3"

- ◆ 7 low-gloss colors.
- ◆ Heavy-duty .044" thickness for rigidity.
- ◆ InvisiVent is the only vinyl soffit to provide more than 10 inches of net-free intake area.
- ◆ InvisiVent[†] and solid styles.
- ◆ Matte finish looks like freshly painted wood.
- ◆ Concealed intake vents provide a smooth appearance.
- ◆ Deep 3/4" panel projection creates sharp definition.



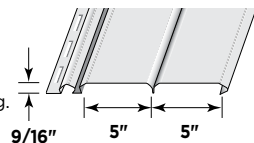
Perimeter Triple 3-1/3"

- ◆ 8 low-gloss colors.
- ◆ .040" thickness.
- ◆ Hidden vent style provides up to 9.65" of net-free intake area.
- ◆ Solid and hidden vent styles.[†]



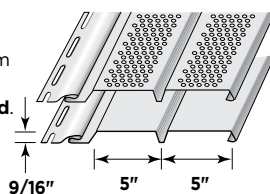
Chamfer Board™ Double 5"

- ◆ Extra thick .044" construction.
- ◆ Solid soffit.
- ◆ Designed for vertical siding and porch ceiling.
- ◆ Available in Colonial White



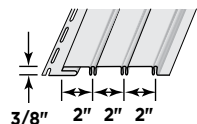
Ironmax™ Double 5"

- ◆ 10 low-gloss woodgrain colors (sable brown for soffit applications only).
- ◆ Extra-thick .046" construction for optimum strength and flat face appearance.
- ◆ 6.4" of net-free air per sq. ft. - fully vented.
- ◆ Solid and fully vented styles.[†]
- ◆ Designed for vertical siding, porch ceiling and soffit applications.
- ◆ Unique post-formed lock design helps ensure secure installation.



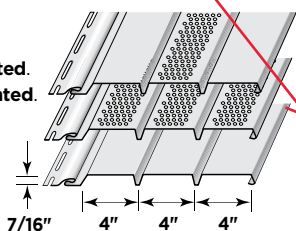
Beaded Triple 3-1/3" Soffit material and color

- ◆ 7 low-gloss colors.
- ◆ .039" thickness.
- ◆ 1.6" of net-free air per sq. ft. - invisibly vented.
- ◆ Wainscot style in solid and invisibly vented.[†]
- ◆ Designed for vertical siding, porch ceiling and soffit applications.
- ◆ Smooth finish appearance of professionally applied paint.
- ◆ Extra-long slip-lock design helps provide secure installation.



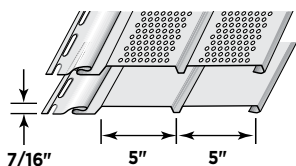
Universal Triple 4"

- ◆ 29 low-gloss colors.
- ◆ .040" thickness.
- ◆ 5.9" of net-free air per sq.ft. - fully vented.
- ◆ 2" of net-free air per sq. ft. - center vented.
- ◆ Solid, fully vented and center vented styles.[†]
- ◆ Matte finish.
- ◆ Designed for vertical siding, porch ceiling and soffit applications.
- ◆ Post-formed lock design helps provide secure installation.



Universal Double 5"

- ◆ 9 low-gloss colors.
- ◆ .040" thickness with partial roll over nail hem.
- ◆ 6.4" of net-free air per sq. ft. - fully vented.
- ◆ Solid and fully vented styles.[†]
- ◆ Woodgrain finish.
- ◆ Soffit applications only for both styles.



Value Triple 4" & Double 5" Soffit

Triple 4": colonial white, desert tan, natural clay, sandstone beige, savannah wicker, snow.

Double 5": colonial white.

All CertainTeed Soffits Feature:

- ◆ Virtually maintenance free, never needs painting.
- ◆ Class 1(A) fire rating.
- ◆ Lifetime limited warranty.



PermaCOLOR™ System assures color performance, resistance and durability. Utilizing the newest technology and state-of-the-art formulations, CertainTeed backs their vinyl siding with PermaCOLOR Lifetime Fade Protection.

	Triple 3-1/3"	Perimeter™ Triple 3-1/3"	ChamferBoard™ Double 5"	IronMax™ Double 5"	Beaded Triple 2"	Universal Triple 4"	Universal Double 5" (soffit use only)	Value Triple 4" (soffit use only)	Value Double 5" (soffit use only)
Musket Brown ** (soffit use only)						●			
Brownstone						●			
Melrose						●			
Autumn Red						●			
Mountain Cedar						●			
Slate						●			
Espresso						●			
Sable Brown				● †		●			
Hearthstone						●			
Forest						●			
Midnight Blue						●			
Pacific Blue						●			
Flagstone						●			
Charcoal Gray		●				●			
Castle Stone						●			
Granite Gray	●	●		●		●			
Sterling Gray				●	●	●	●		
Oxford Blue						●			
Cypress						●			
Herringbone						●	●		
Sandstone Beige	●	●		●	●	●	●	●	
Desert Tan	●	●		●	●	●	●	●	
Natural Clay	●	●		●	●	●	●	●	
Savannah Wicker	●	●		●	●	●	●	●	
Light Maple				●		●	●		
Buckskin						●			
Heritage Cream						●			
Snow	●	●		●	●	●	●	●	
Colonial White	●	●	●	●	●	●	●	●	●

** PREMIUM COLORS † SOFFIT USE ONLY

† Vented soffits are for soffit use only.

Center vented soffits available in Colonial White and Snow only.

NOTE: Colors throughout this brochure are simulated. Consult product samples before making final selection.

CertainTeed products are designed to work together and complement each other in color and style to give any home a beautiful finished look.



POLYMER SHAKES & SHINGLES



VINYL SIDING



INSULATED SIDING



SOFFIT



PVC EXTERIOR TRIM & BEADBOARD



VINYL CARPENTRY® TRIM



STONE



HOUSEWRAP



ROOFING AND VENTILATION



DECKING AND RAILING



MOLDED FENCE



EXTRUDED FENCE



facebook.com/CertainTeed



[YouTube youtube.com/certainteedsaintgobain](https://youtube.com/certainteedsaintgobain)



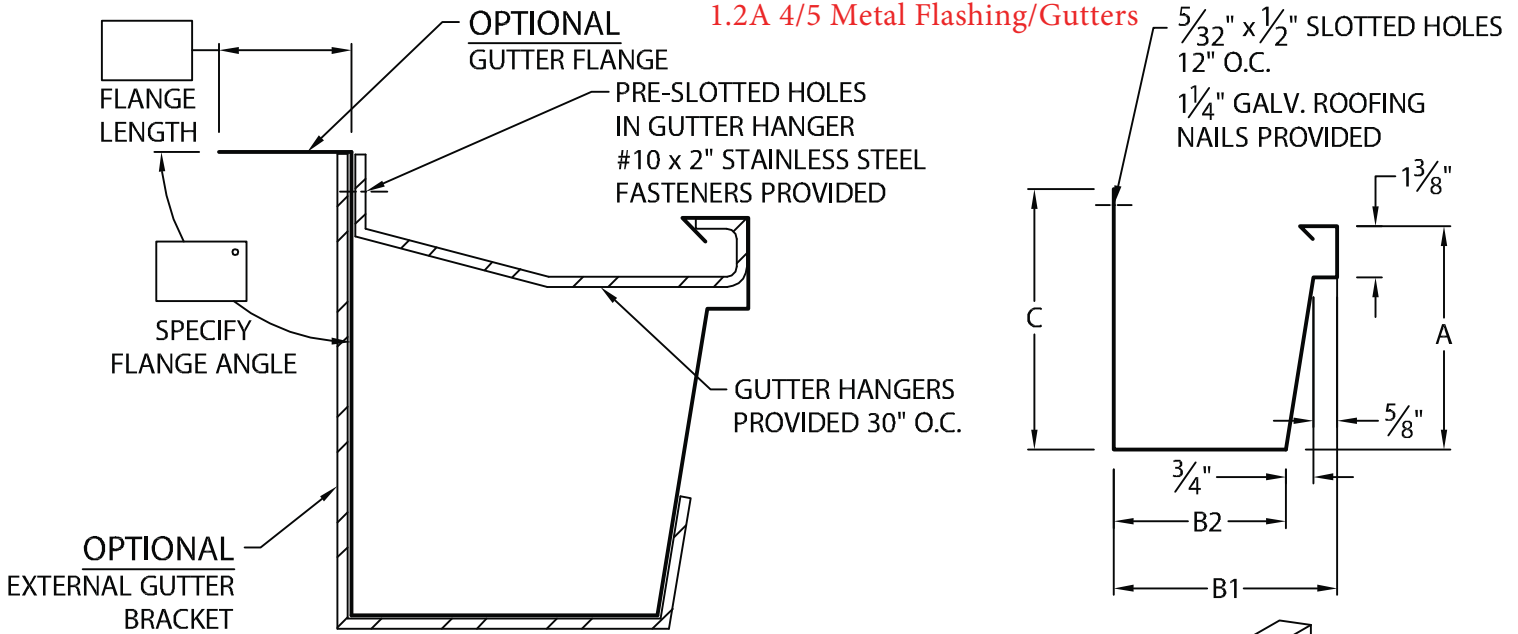
CertainTeed

CEILING • DECKING • FENCE • GYPSUM • INSULATION • RAILING • ROOFING • SIDING • TRIM
20 Moores Road Malvern, PA 19355 Professional: 800-233-8990 Consumer: 800-782-8777 certainteed.com

© 01/21 CertainTeed, Printed in the USA, Code No. CTS150

SEAL-TITE INDUSTRIAL GUTTER

IG-3 VERSION



PRODUCT ID #	C	B1	B2	A	HANGER
<input type="checkbox"/> IG3-C6	6"	5"	3 5/8"	5"	1 1/4" x .100 MILL
<input type="checkbox"/> IG3-C7	7"	6"	4 5/8"	6"	1 1/4" x .100 MILL
<input type="checkbox"/> IG3-C8	8"	7"	5 5/8"	7"	2" x .100 MILL
<input type="checkbox"/> IG3-C9	9"	8"	6 5/8"	8"	2" x .100 MILL

NOTES:

- MAXIMUM DOWNSPOUT DIMENSION NOT TO EXCEED "B2" MINUS 9/16".
- 6" WIDE SPLICE PLATES PROVIDED.
- 1/8" STAINLESS STEEL POP RIVETS PROVIDED.
- UNLESS OTHERWISE NOTED, FABRICATION OF MITERS ARE FURNISHED STANDARD UTILIZING A NON-PENETRATING QUICKLOCK JOINT, THEN FACTORY SEALED WATERTIGHT.
- WELDED ACCESSORIES REQUIRE A MINIMUM MATERIAL THICKNESS OF .050".

Fabrication will proceed only after receipt of signed print approval.

Print Approval:

Architect and/or contractor shall verify all dimensions, sizes and quantities. All products to be installed in strict accordance with Metal-Era's printed instructions.

Approved by: _____

Date: _____

MATERIAL:

- 24 GA. GALVANIZED STEEL COLOR: _____
- .040" ALUMIINUM
- .050" ALUMINUM FINISH: _____
- .063" ALUMINUM
- OTHER _____

QUANTITIES:

- _____ LINEAL FEET 12'-0" LENGTHS
- _____ OUTSIDE MITERS @ 90°
- _____ INSIDE MITERS @ 90°
- _____ ENDCAPS: RIGHT _____ LEFT _____
- _____ EXPANSION JOINTS
- STYLE "1" STYLE "2"

SPECIFY MITER TYPE:

- WELDED
- QUICKLOCK

FOR EXTERNAL GUTTER BRACKETS SEE PRINT APPROVAL #11012-25582
FOR NON-90 MITERS SEE PRINT APPROVAL #11012-10010

PROJECT: _____

ARCHITECT: _____

ROOFING CONTRACTOR: _____

REPRESENTATIVE/DISTRIBUTOR: _____

Corporate Offices, Manufacturing
1600 Airport Road; Waukesha, WI 53188
Phone: 800-558-2162
Fax: 800-373-9156
www.metalera.com



DATE: 04/24/17 SHT.# _____ OF _____

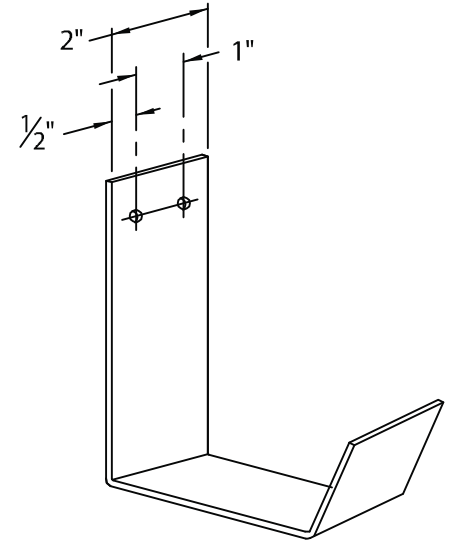
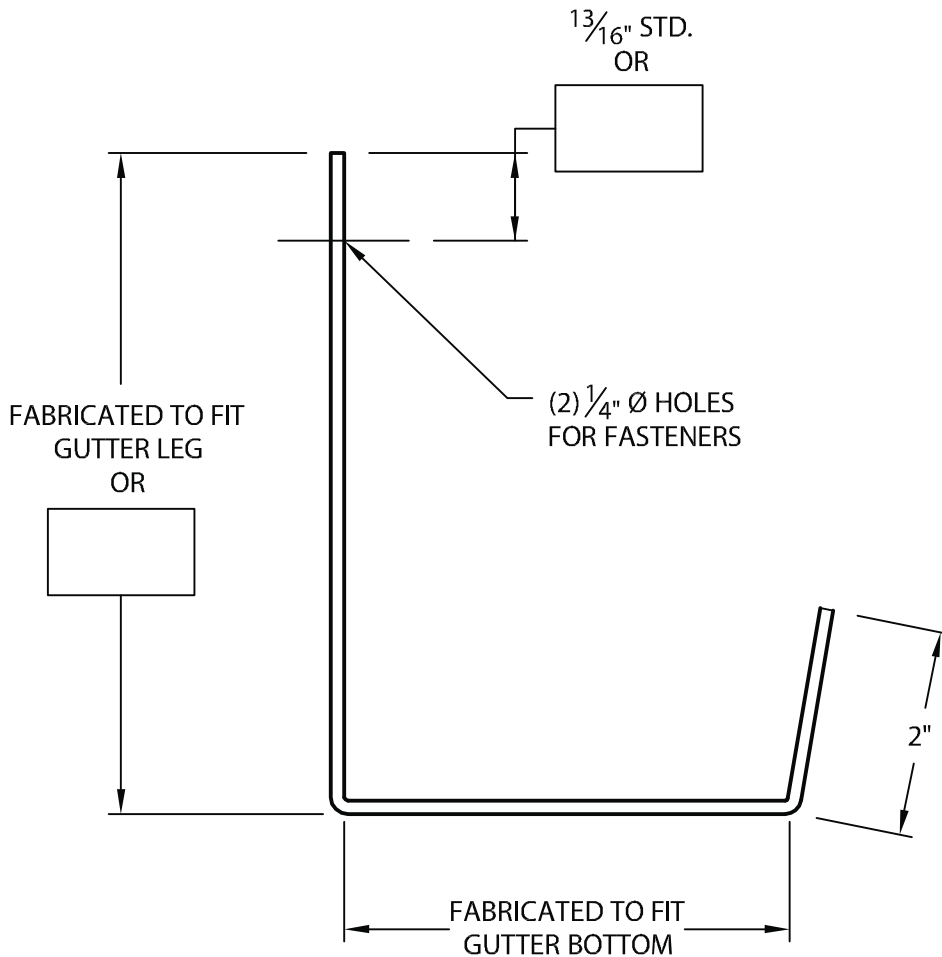
DRN BY: JJC

CKD BY: SAK DWG# 11012-25581 **B**

SEAL-TITE INDUSTRIAL EXTERNAL GUTTER BRACKET

IG-3 VERSION

1.2A 4/5 Gutter supports



ISOMETRIC VIEW

2" WIDE BRACKET

Fabrication will proceed only after receipt of signed print approval.

Print Approval:

Architect and/or contractor shall verify all dimensions, sizes and quantities. All products to be installed in strict accordance with Metal-Era's printed instructions.

Approved by: _____

Date: _____

MATERIAL:

.125" ALUMINUM

COLOR: _____

FINISH: _____

QUANTITIES:

_____ AMOUNT REQUIRED*

*QUANTITIES OVER 200 REQUIRE AN EXTENDED LEAD TIME DUE TO POST COATING PROCESS.

PROJECT:

ARCHITECT:

ROOFING CONTRACTOR:

REPRESENTATIVE/DISTRIBUTOR:

Corporate Offices, Manufacturing
1600 Airport Road; Waukesha, WI 53188
Phone: 800-558-2162
Fax: 800-373-9156
www.metalera.com



DATE: 02/06/17

DRN BY: JJC

CKD BY: SAK

SHT.# ____ OF ____

DWG# 11012-25582

A

1.2A 4 Gutter plumb supports




List Price: ~~\$7.25~~
Our Price: **\$5.99**
You save: **\$1.26 (17%)**

Leaves our warehouse in **1 to 2 business days**

Buy 6 or more for **\$5.40** each and save **25%**



 Report incorrect product information

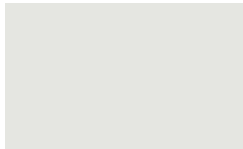
PRODUCT DESCRIPTION

Key Features

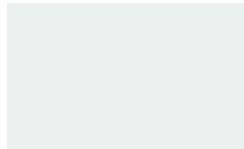
- Can be installed directly on end of roof rafter
- Designed to compensate for the slope in roofs constructed with non-vertical fascia or no fascia at all
- For use with Rain go and Regency gutter systems only
- Lightweight and cuts with a handsaw
- Only a few common household tools needed for installation
- Systems come in white or brown, but can be painted if desired
- Weather performance guaranteed
- Will not chip, corrode, or dent

Brown vinyl gutter bracket spacers are designed to compensate for the slope in roofs constructed with no vertical fascia or no fascia at all. Can be installed directly on end of roof rafter in installations that have no fascia board. For Genova Raingo & Repla K systems (6/12 pitch for Repla K only.)

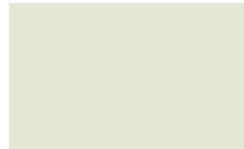
Express Colors *



Stone White ●



Bone White ●



Almond ●



Sandstone ●



Cityscape ●



Slate Gray ●



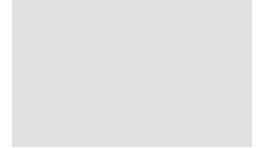
Sierra Tan ●



Medium Bronze ●



Dark Bronze ●

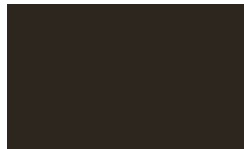


Clear Anodized

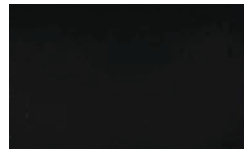
Standard Colors



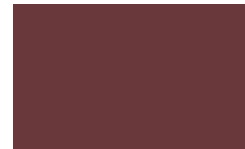
Charcoal (Charcoal Gray) ●



Midnight (Extra Dark) Bronze



Matte Black



Burgundy (Brandywine)



Terra Cotta ●



Cardinal (Regal) Red ●



Sky (Military) Blue ●



Interstate (Regal) Blue



Teal ●



Patina Green ●



Hartford Green



Hemlock Green ●



Colonial Red ●



Forest (Sherwood) Green



Mansard Brown ●



Granite ●



Musket Gray ●



Evergreen ●



Hunter Green ●



Slate Blue ●

Premium Colors



(Classic) Copper Penny ●



Silver (Metallic) ●



Champagne (Metallic) ●



Zinc ●



Weathered Zinc ●



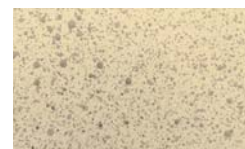
Aged Copper ●



Silversmith



Award Blue



Sand Stone ■ ★

* = Also in Mill Finish
■ = Post-Painted
● = Energy Star Rated
★ = Available in 3
Other Stone Colors

Quick Reference Guide

		24 ga.	22 ga.	.040"	.050"	.063"
Hylar 5000® / Kynar 500®	Almond	♦	♦	♦	♦	♦
	Bone White	♦	♦	♦	♦	♦
	Burgundy (Brandwine)	♦		♦	♦	
	Charcoal (Charcoal Gray)	♦	♦	♦	♦	
	Cityscape	♦	♦	♦	♦	
	Colonial Red	♦	♦	♦	♦	
	Dark Bronze	♦	♦	♦	♦	♦
	Midnight Bronze	♦	♦	♦	♦	
	Evergreen	♦				
	Forest (Sherwood) Green	♦	♦	♦	♦	
	Granite	♦	♦	♦	♦	
	Hartford Green	♦		♦	♦	
	Hemlock Green	♦		♦	♦	
	Hunter Green	♦				
	Mansard Brown	♦	♦	♦	♦	
	Matte Black	♦	♦	♦	♦	♦
	Medium Bronze	♦	♦	♦	♦	♦
	Musket Gray	♦	♦		♦	
	Patina Green	♦		♦	♦	
	Interstate (Regal) Blue	♦	♦	♦	♦	
	Cardinal (Regal) Red	♦		♦	♦	
	Sky (Military) Blue	♦	♦	♦		
	Slate Blue	♦				
	Slate Gray	♦	♦	♦	♦	
	Sandstone	♦	♦	♦	♦	♦
	Sierra Tan	♦	♦	♦	♦	♦
	Stone White	♦	♦	♦	♦	♦
	Teal	♦		♦		
Terra Cotta	♦		♦	♦		
Premium	Champagne Metallic	♦	♦	♦	♦	
	Copper Penny (Classic)	♦		♦	♦	
	Silver Metallic	♦	♦	♦	♦	♦
	Zinc	♦		♦	♦	
	Weathered Zinc	♦	♦		♦	
	Aged Copper	♦			♦	
	Silversmith			♦		
	Sand Stone (Spatter Coat)			♦	♦	♦
	Award Blue	♦			♦	
Coil Anodized	Black			♦	♦	♦
	Clear			♦	♦	♦
	Dark Bronze			♦	♦	♦
	Light Bronze			♦	♦	♦
Other	Mill Finish (3003-H14)	.040, .050, .063, .080, .100, .125				
	110 Copper	16 oz. & 20 oz.				
	304 - 2B Stainless Steel	20 ga., 22 ga. & 24 ga.				
	Galvanized Steel	16 ga., 20 ga., 22 ga. & 24 ga.				
	Galvalume Plus	22 ga., 24 ga.				
Paint Grip	22 ga., 24 ga.					

Please Note

Express colors available in shorter lead times for 24 ga., .040" and .050" only. Standard lead times, which may be longer, apply for 22 ga. and .063".

Protective film must be removed immediately. Please note this chart is only a representation of color options. Color matches should only be made with actual samples. Please call or write for actual metal sample(s).

Metal-Era receives metal through multiple vendors. If a specific metal vendor is required for a project, please specify this at the time of order.

These color reproductions are as accurate as modern printing technology will permit and may vary slightly from actual colors supplied. Finished color chip samples are available upon request. Customer is responsible for color selections chosen from printed literature.

Kynar 500® based fluropolymer coating is a high-grade architectural finish offering excellent resistance to degradation caused by nature's elements and airborne contaminants. A limited thirty (30) year warranty is available on the prefinished coil-coated steel and aluminum colors shown.

A limited ten (10) year warranty is included for post-painted Kynar®-coated aluminum applications unless otherwise stated. A twenty (20) year warranty is also available only upon request at the time of order. Restrictions may apply; consult a sales representative for specific information.

Standard anodized finishes that utilize a continuous coil anodizing process to provide excellent color consistency from piece to piece are available. However, shade variations may occur from coil batch to coil batch. Class I batch anodizing is also available.

As noted, many colors are energy star rated. Emissivity uses ASTM C1371. Reflectivity uses ASTM C1549.

Kynar 500® is a registered trademark of Arkema, Inc. Valspar is a registered trademark of Valspar Sourcing, Inc.

Due to product improvements and changes, we reserve the right to change or delete information herein without prior notice.

©2018. All statements herein are expressions of opinion, which by performance and testing are believed to be accurate and reliable, but are presented without guarantee or responsibility on our part. Statements concerning possible use of our products are made without any knowledge that such recommended uses may infringe any patent. No warranty, express or implied, other than that described in this literature, is made or intended.

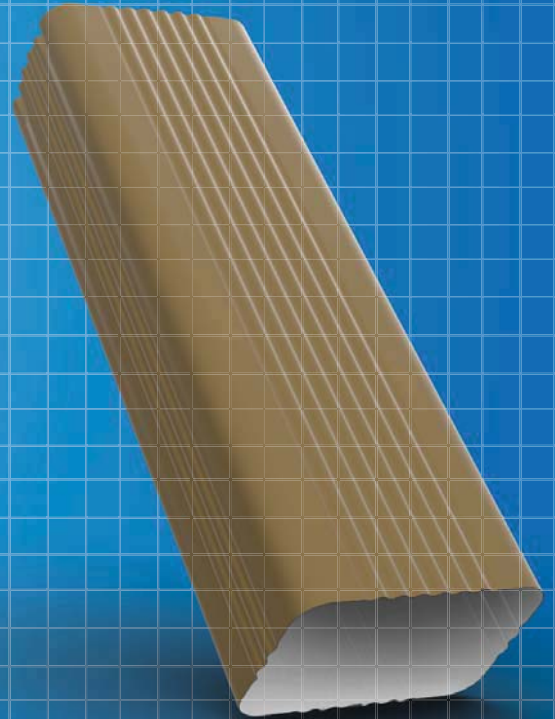
Seal-Tite LT

Corrugated Downspout

The Industrial Gutter System that Weathers the Storm

Our Seal-Tite LT Industrial Gutter System not only weathers the storm, it does so in style with its superior performance and attractive appearance. That's why Seal-Tite LT Gutters and Downspouts stand out from the crowd.

Seal-Tite LT Corrugated Downspouts are available in two standard sizes, in aluminum and galvanized steel.



- ▶ Try Seal-Tite LT Corrugated Downspout products and see how Metal-Era can help to deliver your project **ON TIME AND ON BUDGET.**

High Quality

- ▶ Available in a wide range of standard colors and finishes to meet your job requirements
- ▶ Custom lengths available for individual jobsite requirements

Economical

- ▶ Decreased labor costs due to easy installation
- ▶ Higher overall profit on your construction projects

Easy Installation

- ▶ Manufactured with simple connection configurations
- ▶ Includes everything you need per specification for easy installation
- ▶ Elbows and other accessories available as needed



With Metal-Era's SPEQ promise of speed, protection, expertise and quality, you are assured that Seal-Tite is backed with quality and service guarantees.

800-558-2162
www.metalera.com

Seal-Tite LT

Corrugated Downspout

Available Sizes & Materials:

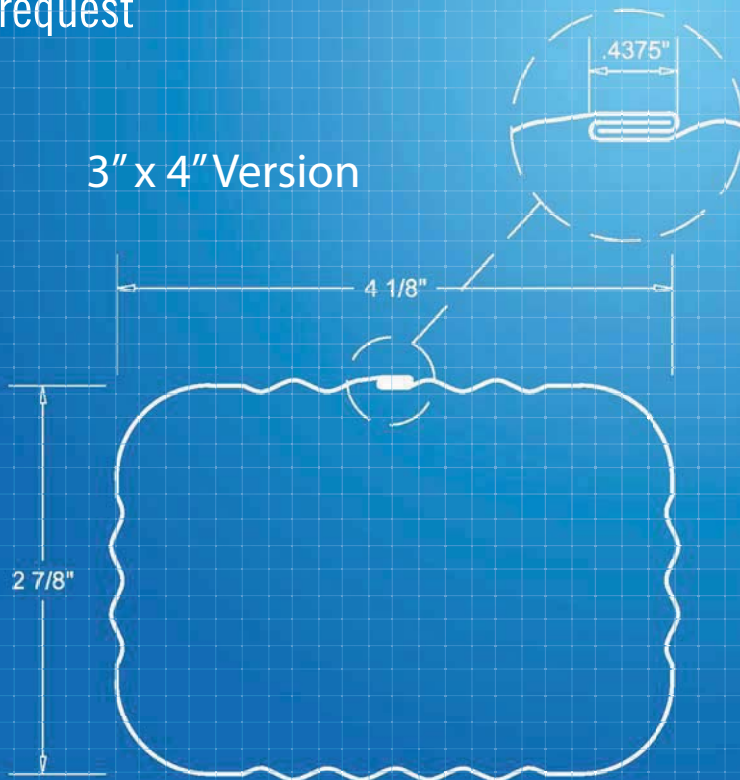
3" x 4"

24ga. galvanized steel
.032" aluminum

4" x 5"

24ga. galvanized steel
22ga. galvanized steel
.032" aluminum
.040" aluminum

Other gauges and copper available upon request



800-558-2162
www.metalera.com

1600 Airport Road, Waukesha WI 53188
f: 800-373-9156 • info@metalera.com

1.2A5 Downspouts

Quick Shipping in 11 Express Colors

Standard and custom finishes are also available to meet your needs. Our finishes are made of Valspar's Fluoropon® high performance Hylar 5000®/Kynar 500® finish and include a 30-year warranty. For the most accurate color representation, contact us to request a paint chip.

Call us at 800-558-2162 for lead times on your next project.



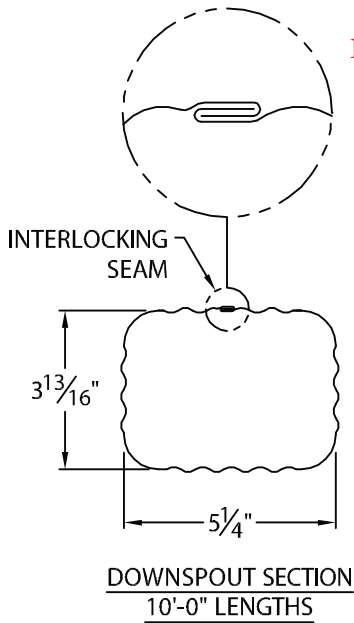
Metal-Era, Inc. is a Minority Business Enterprise and a member of the National Minority Supplier Development Council. Download Minority Business certificates for your region at www.metalera.com.

©2017. All statements herein are expressions of opinion, which by performance and testing are believed to be accurate and reliable, but are presented without guarantee or responsibility on our part. Statements concerning possible use of our products are made without any knowledge that such recommended uses may infringe any patent. No warranty, express or implied, other than that described in this literature, is made or intended. Kynar 500® is a registered trademark belonging to Arkema Inc.

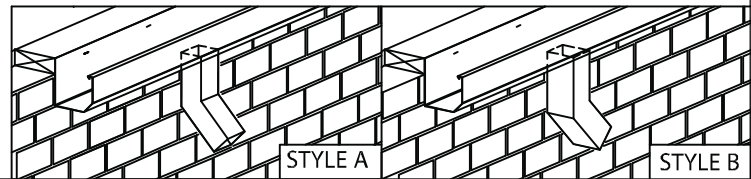
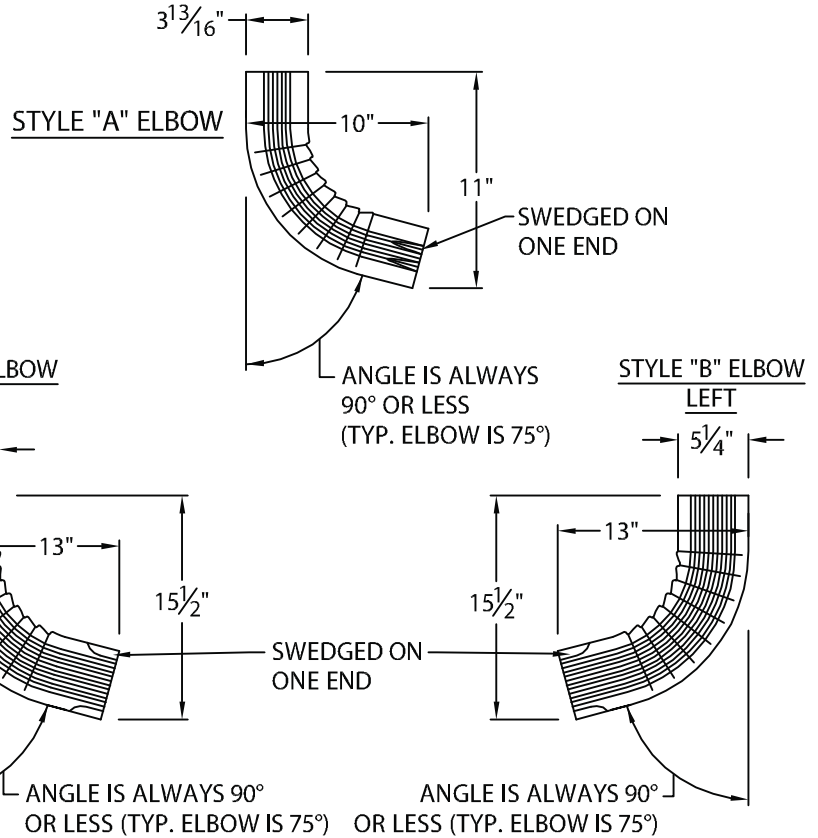
SEAL-TITE LT CORRUGATED DOWNSPOUT & ELBOWS

4" x 5" DOWNSPOUT

1.2A5 Downspouts



2 1/4" WIDE DOWNSPOUT STRAPS
(2 PER 10'-0" LENGTH)



Fabrication will proceed only after receipt of signed print approval.

Print Approval:

Architect and/or contractor shall verify all dimensions, sizes and quantities. All products to be installed in strict accordance with Metal-Era's printed instructions.

Approved by: _____

Date: _____

DOWNSPOUT MATERIAL:		ELBOW MATERIAL:	
<input type="checkbox"/> 24 GA. GALV. STEEL	<input type="checkbox"/> 22 GA. GALV. STEEL	<input type="checkbox"/> 24 GA. GALV. STEEL	<input type="checkbox"/> .032" ALUMINUM
<input type="checkbox"/> .032" ALUMINUM	<input type="checkbox"/> .040" ALUMINUM	OTHER _____	
OTHER _____		COLOR: _____	
COLOR: _____		FINISH: _____	
FINISH: _____		FINISH: _____	

QUANTITIES:

_____ LINEAL FEET 10'-0" LENGTHS
 _____ PIECES @ _____ LENGTHS
 _____ OUTLETS
 _____ STYLE A ELBOWS (_____ °)
 _____ STYLE B RIGHT ELBOWS (_____ °)
 _____ STYLE B LEFT ELBOWS (_____ °)

PROJECT:

ARCHITECT:

ROOFING CONTRACTOR:

REPRESENTATIVE/DISTRIBUTOR:

Corporate Offices, Manufacturing
 1600 Airport Road; Waukesha, WI 53188
 Phone: 800-558-2162
 Fax: 800-373-9156
 www.metalera.com



DATE: 01/31/17

DRN BY: JJC

CKD BY: SAK

SHT.# _____ OF _____

DWG# 11013-25530

A

SECTION 074640 – VINYL AND POLYMER SOFFIT PANELS

PART 1 - GENERAL

1.1 RELATED DOCUMENTS

- A. Drawings and general provisions of the Contract, including General and Supplementary Conditions and Division 01 Specification Sections, apply to this Section.

1.2 SUMMARY

- A. Section Includes:
 - 1. Vinyl soffit panels.
 - 2. Accessories and trim.
- B. Related Sections:
 - 1. 061053 Miscellaneous Rough Carpentry.

1.3 ACTION SUBMITTALS

- A. Product Data: For each type of product.
 - 1. Include construction details, material descriptions, dimensions of individual components and profiles, and finishes for each type of panel and accessory.
- B. Samples for Initial Selection: For each type of vinyl panel indicated with factory-applied color finishes.
 - 1. Include similar Samples of trim and accessories involving color selection.

1.4 INFORMATIONAL SUBMITTALS

- A. Sample Warranties: Warranty.

1.5 CLOSEOUT SUBMITTALS

- A. Maintenance Data: For vinyl soffit panels to include in maintenance manuals.

1.6 DELIVERY, STORAGE, AND HANDLING

- A. Deliver components, vinyl soffit panels, and other manufactured items so as not to be damaged or deformed. Package vinyl soffit panels for protection during transportation and handling.
- B. Unload, store, and erect vinyl soffit panels in a manner to prevent bending, warping, twisting, and surface damage.

- C. Stack vinyl panels horizontally on platforms or pallets, covered with suitable weathertight and ventilated covering. Store vinyl panels to ensure dryness, with positive slope for drainage of water. Do not store vinyl panels in contact with other materials that might cause staining, denting, or other surface damage.

1.7 FIELD CONDITIONS

- A. Weather Limitations: Proceed with installation only when existing and forecasted weather conditions permit assembly of vinyl soffit panels to be performed according to manufacturers' written instructions and warranty requirements.

1.8 COORDINATION

- A. Coordinate vinyl soffit panel installation with rain drainage work, flashing, trim, construction of walls, and other adjoining work to provide a leakproof, secure, and noncorrosive installation.

1.9 WARRANTY

- A. Warranty: Manufacturer's standard lifetime limited warranty.

PART 2 - PRODUCTS

2.1 VINYL SOFFIT PANELS

- A. Provide vinyl Siding, Soffit and Components: Provide products made of extruded polyvinyl chloride as specified in this section and manufactured to comply with requirements of ASTM D 3679.
 - 1. Provide elongated nailing slots on nailing flanges to allow for movement.
 - 2. Factory-notch ends of horizontal panels to form overlapping joints.
 - 3. Provide products that meet weathering requirements of ASTM D 3679.
- B. Vinyl Soffit Panels:
 - 1. Basis of Design: CertainTeed LLC, Siding Products Group, 20 Moores Road, Malvern, Pennsylvania 19355. Tel: (800) 233-8990; Email: salesupportgroup@certainteed.com; Web: www.certainteed.com.
 - a. Certainteed Triple 3-1/3" InvisiVent soffit – Invisibly Vented.
 - 1) Design: Triple 3-1/3 inch (85 mm) invisibly vented; matte finish.
 - 2) Width: 10 inches (254 mm) plus or minus .062 inch (1.57 mm).
 - 3) Length: 12 feet (3.66 m) plus or minus .025 inch (6 mm).
 - 4) Ventilation : >10.0" N.F.A. /sq. ft.
 - 5) Average Thickness: 0.044 inch (1.1 mm).
 - 6) Exposure: 3-1/3 inches (84.66 mm) single nailing hem.
 - 7) Maximum Warp (per 2 panels): 0.250 inch (6 mm).
 - 8) Color: As selected by Architect from manufacturer's standards.
 - 9) Color shall be as follows:
 - a) Match finish and color of existing vinyl soffit panels, "Desert Tan".

2.2 MISCELLANEOUS MATERIALS

- A. Miscellaneous Wood Subframing and Furring.
- B. Panel Accessories: Provide components required for a complete panel system including trim, clips, flashings, sealants, gaskets, fillers, closure strips, and similar items. Match material and finish of vinyl panels unless otherwise indicated.
- C. Accessories and Trim: Provide accessories and trim formed from same material as vinyl panels as required to seal against weather and to provide finished appearance.
- D. Panel Fasteners: as recommended by manufacturer for attaching to wood framing.
- E. REFERENCES
 1. ASTM D 4477 - Standard Specification for Rigid Poly (Vinyl Chloride) (PVC) Soffit.
 2. ASTM D 5206 - Standard Windload Resistance Test.
 3. ASTM E 84 - Standard Test Method for Surface Burning Characteristics of Building Materials.

PART 3 - EXECUTION

3.1 EXAMINATION

- A. Examine substrates, areas, and conditions, with Installer present, for compliance with requirements for installation tolerances, vinyl soffit panel supports, and other conditions affecting performance of the Work.
 1. Examine framing to verify that furring and other structural panel support members and anchorage have been installed within alignment tolerances required by vinyl soffit panel manufacturer.
- B. Examine roughing-in for components and systems penetrating vinyl soffit panels to verify actual locations of penetrations relative to seam locations of vinyl soffit panels before installation.
- C. Proceed with installation only after unsatisfactory conditions have been corrected.

3.2 INSTALLATION

- A. Install products in accordance with the latest printed instructions of the manufacturer.
- B. Install products with all components true and plumb.

3.3 PROTECTION

- A. Protect installed products until completion of project.
- B. Touch-up, repair or replace damaged products before Substantial Completion.

3.4 CLEANING

- A. At completion of work, remove debris caused by soffit installation from project site.

END OF SECTION 074293