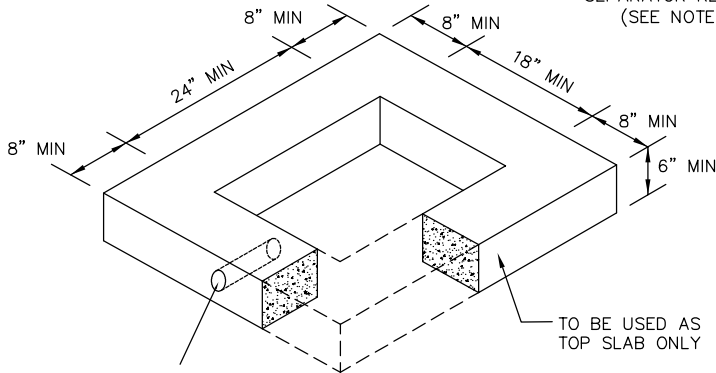


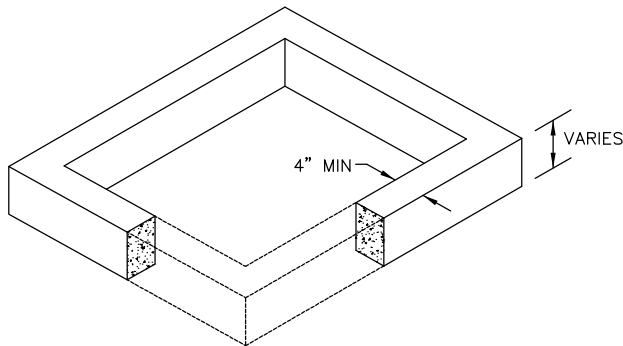
FRAME & GRATE



TOP SLAB

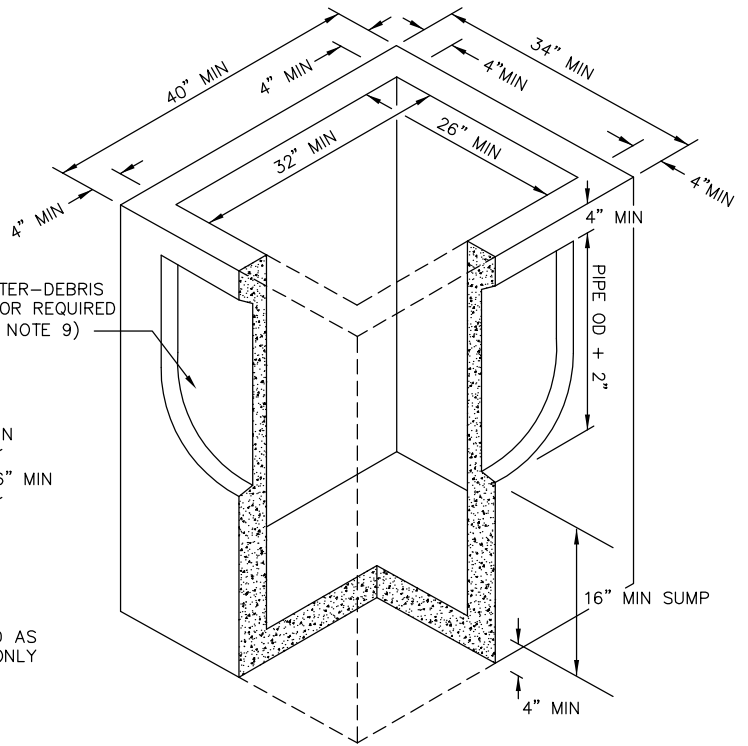
1" PVC PERMITTED DURING CONSTRUCTION PHASE. PLUGGED AND GROUTED PRIOR TO FINAL INSPECTION

TO BE USED AS TOP SLAB ONLY



ADJUSTING RING

OIL-WATER-DEBRIS SEPARATOR REQUIRED (SEE NOTE 9)



CATCH BASIN

NOTES

1. FOR USE WITH TWO INLET/OUTLET PIPES OF DIAMETER 15" OR 18". FOR LARGER AND/OR MORE INLET/OUTLET PIPES OR IF CATCH BASIN IS GREATER THAN 5' DEEP FROM FINISH GRADE TO SUMP, INSTALL A TYPE I OR II STORM DRAIN MANHOLE (SEE STANDARD 303).
2. ALL JOINTS BETWEEN SECTIONS AND BETWEEN FRAME AND CONCRETE SECTIONS SHALL BE GROUTED INSIDE AND OUTSIDE.
3. ENTIRE KNOCKOUT IS TO BE REMOVED AND SEALED SHUT AROUND PIPE. ALL PIPES ARE TO EXTEND MIN. 1" AND MAX. 2" INTO CATCH BASIN.
4. FRAME AND GRATE SHALL BE DUCTILE IRON. FRAME MAY BE CAST INTO THE TOP UNIT OR PLACED OVER THE OPENING AS APPROVED BY THE ENGINEER. FRAME AND GRATE MUST BE OF A TYPE THAT WILL NOT CREATE A HAZARD FOR BICYCLE TRAFFIC.
5. CATCH BASIN SHALL MEET HIGHWAY STANDARD-20 LOAD REQUIREMENTS.
6. MINIMUM STEEL REQUIRED AS PER ASTM C-478-69.
7. MINIMUM SUMP DEPTH SHALL BE 16".
8. ADJUSTING RING SHALL BE THE SAME SIZE AS THE CATCH BASIN. THE AREA BETWEEN THE TOP OF THE CATCH BASIN AND THE FRAME SHALL BE FORMED AND FILLED WITH CONCRETE MEETING THE REQUIREMENTS OF CBJ SPECIFICATION 03302-CONCRETE STRUCTURES. NO BRICKS, WOOD OR OTHER MATERIALS ARE PERMITTED AND ANY FORM WORK SHALL BE REMOVED.
9. ALL CATCH BASINS THAT EMPTY INTO AN OPEN DRAINAGE SHALL BE FITTED WITH AN OIL-WATER-DEBRIS SEPARATOR DEVICE AS DIRECTED BY THE ENGINEER.

|                            |                       |                                    |  |
|----------------------------|-----------------------|------------------------------------|--|
| SCALE:<br>NTS              | DATE:<br>12/6/96      | CITY AND BOROUGH OF JUNEAU, ALASKA |  |
| DRAWN BY:<br>DRW           | CHECKED BY:<br>STAFF  | TYPE IV CATCH BASIN                |  |
| APPROVED BY:<br><i>DRW</i> | REVISED:<br>8/14/2011 | STANDARD 304B                      |  |