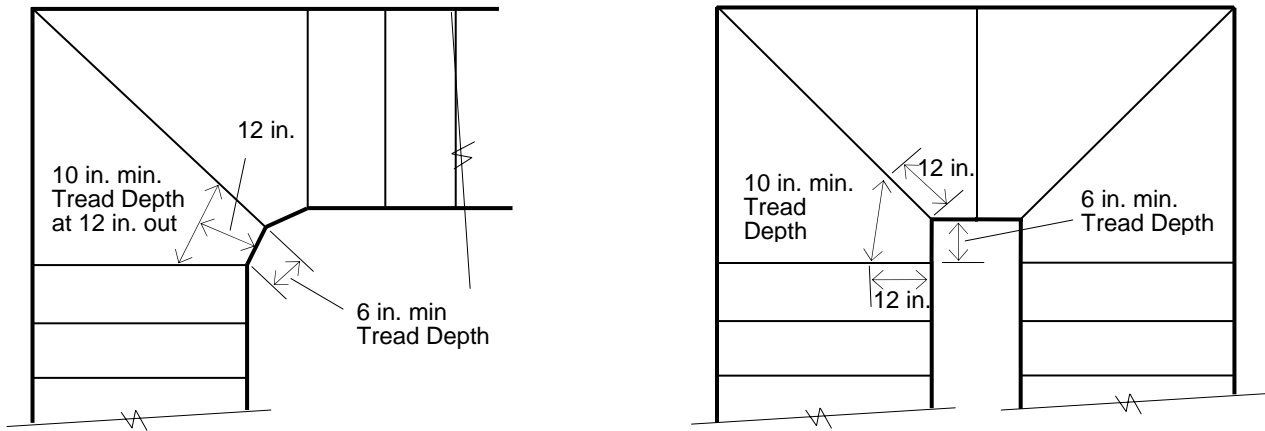


**2006 International Residential Code**

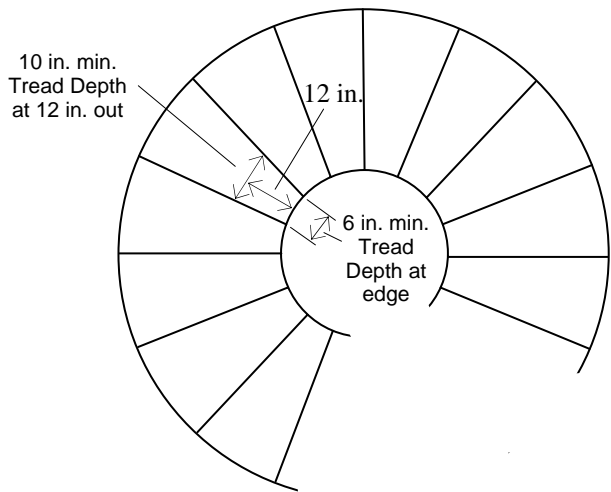
**R311.5.3.2 Tread depth.** The minimum tread depth shall be 10 inches (254 mm). The tread depth shall be measured horizontally between the vertical planes of the foremost projection of adjacent treads and at a right angle to the tread's leading edge. The greatest tread depth within any flight of stairs shall not exceed the smallest by more than 3/8 inch (9.5 mm). **Winder treads shall have a minimum tread depth of 10 inches (254 mm) measured as above at a point 12 inches (305) mm from the side where the treads are narrower. Winder treads shall have a minimum tread depth of 6 inches (152 mm) at any point.** Within any flight of stairs, the greatest winder tread depth at the 12 inch (305 mm) walk line shall not exceed the smallest by more than 3/8 inch (9.5 mm).

**R311.5.8.1 Spiral stairways.** Spiral stairways are permitted, provided the minimum width shall be 26 inches (660 mm) with each tread having a 7 1/2-inches (190 mm) minimum tread depth at 12 inches from the narrower edge. All treads shall be identical, and the rise shall be no more than 9 1/2 inches (241 mm). A minimum headroom of 6 feet 6 inches (1982 mm) shall be provided.

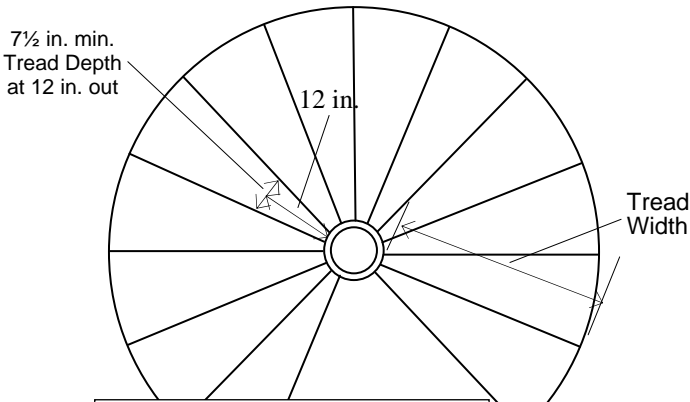
**Winder Stairs**  
 (Stair Treads turn or change direction)



**Curved Stairways**  
 (Treads do not extend to Center)



**Spiral Stairs**  
 (Treads extend to Central Pole or Axis)



- Special Rules for Spiral Stairs**
1. 26 in. min. tread width
  2. 6'6" min. headroom
  3. 9 1/2" max. rise between treads